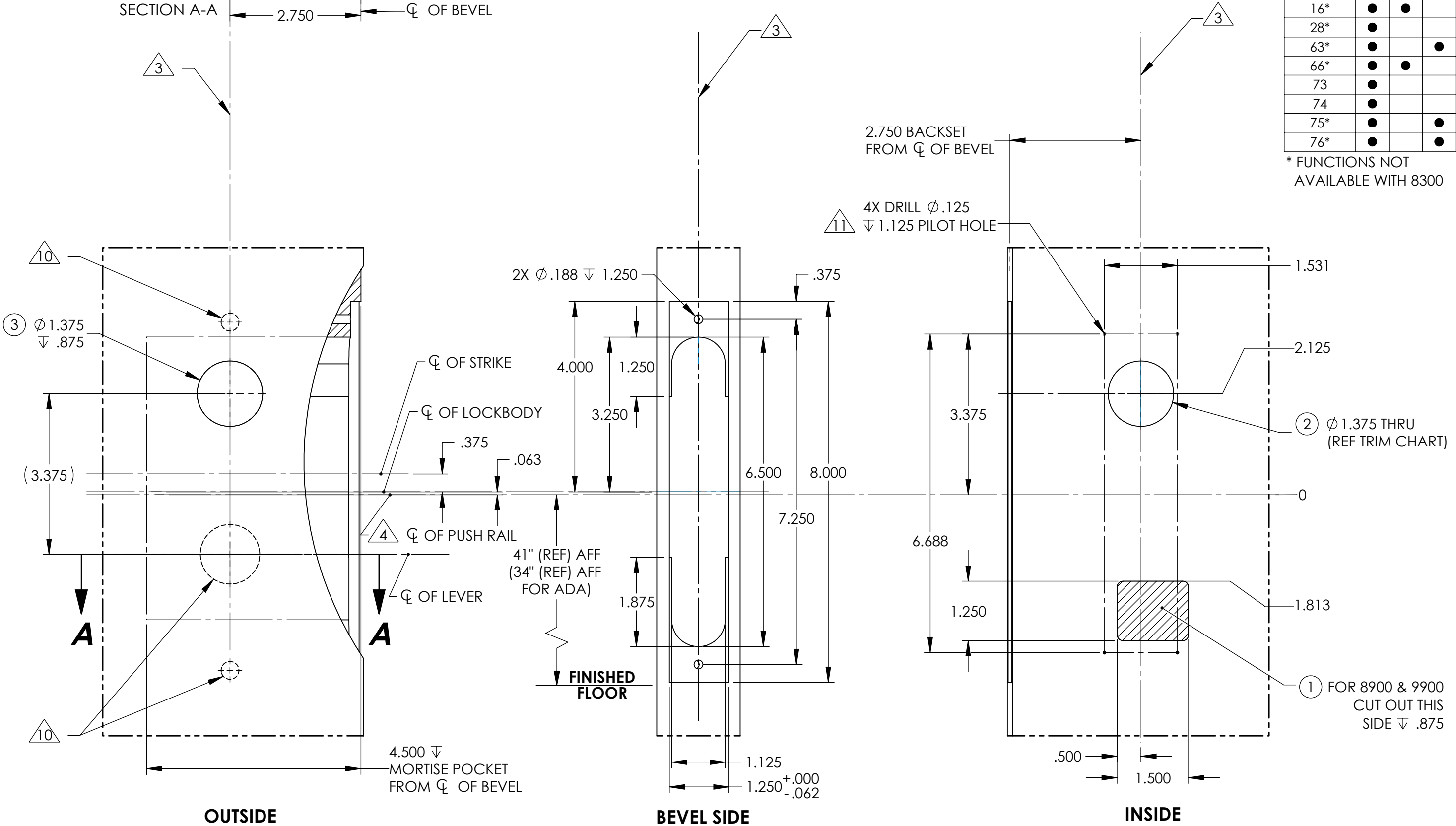
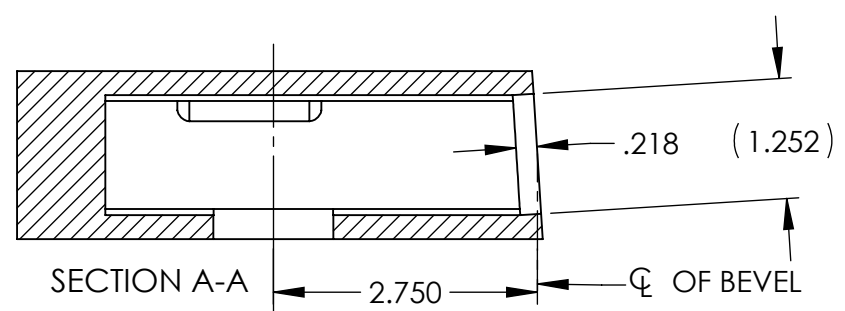


WOOD DOOR

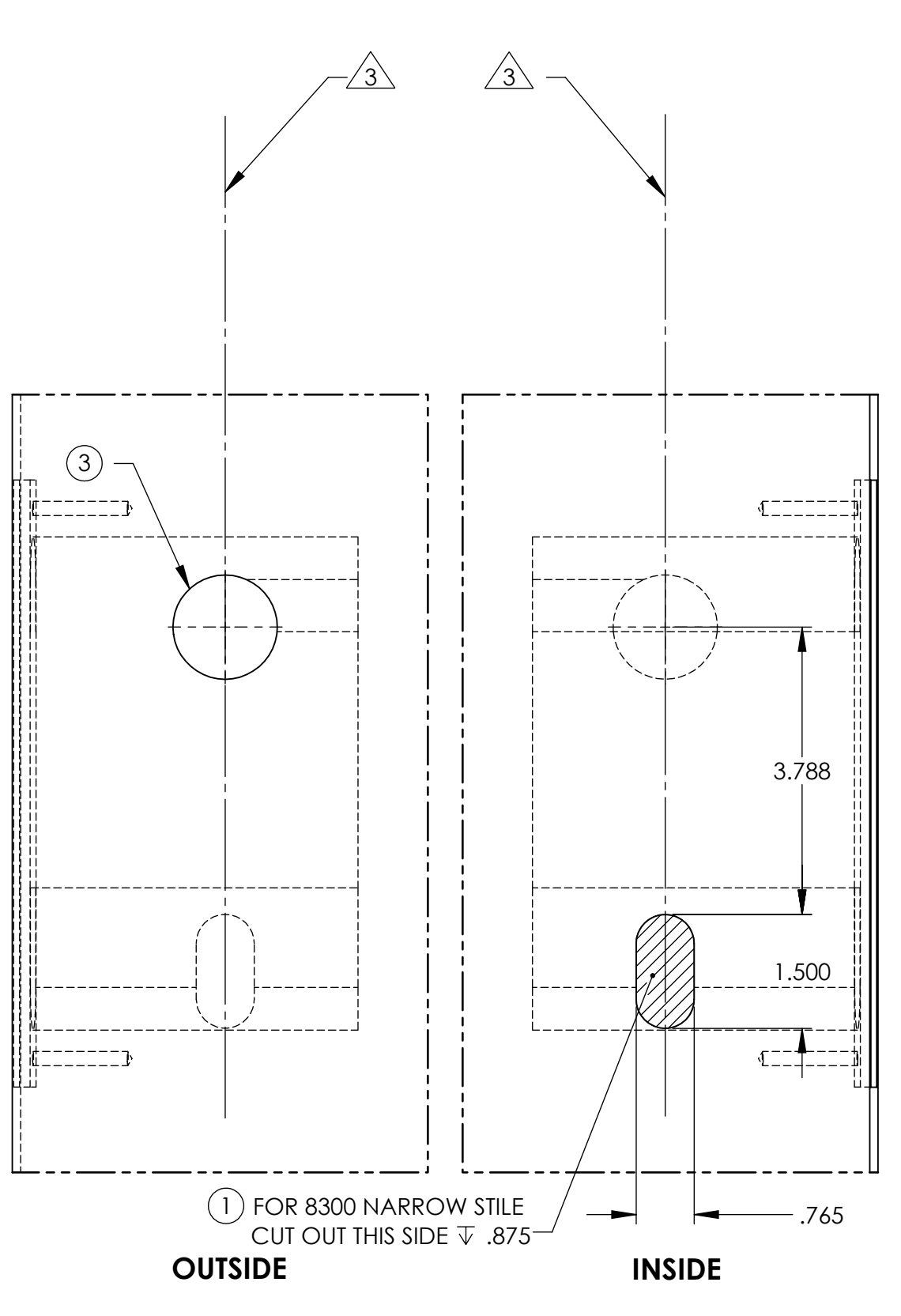
FUNCTION	CUT-OUT		
	①	②	③
04, 44	●		●
06, 46	●		
10, 40	●		
13, 43	●		
15	●		
16*	●	●	
28*	●		
63*	●		●
66*	●	●	
73	●		
74	●		
75*	●		●
76*	●		●

* FUNCTIONS NOT AVAILABLE WITH 8300



L.H.R.B. DOOR SHOWN

8900 & 9900 PREP

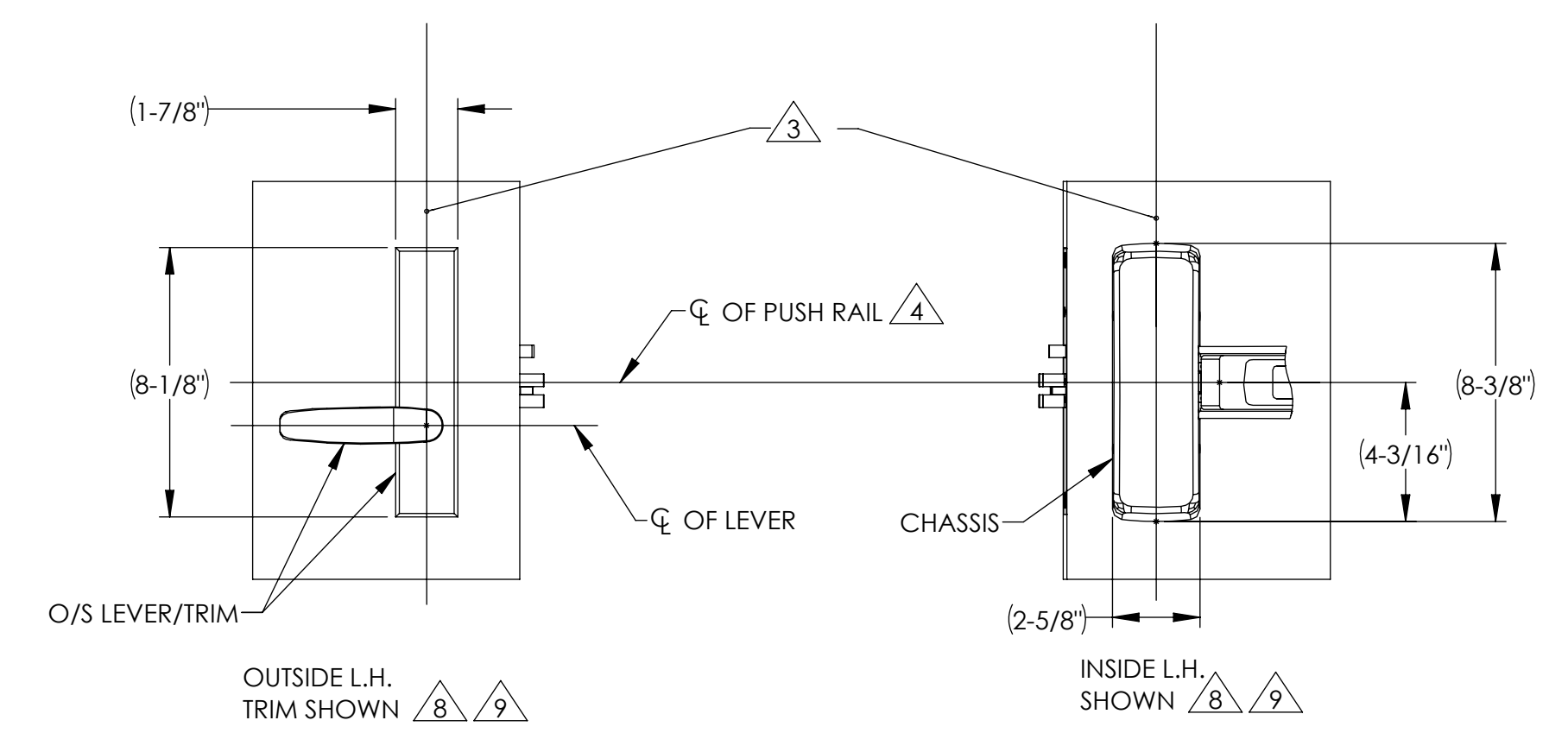


SAME AS 8900 & 9900 PREP EXCEPT FEATURES SHOWN

R.H.R.B. DOOR SHOWN

8300 PREP

- NOTES:
- DRAWING IS NOT TO SCALE
 - REFERENCE STRIKE TEMPLATE No. 4192 FOR 815 STRIKE AND NO. 3908 FOR 908 STRIKES ON HOW TO PREP THE FRAME.
 - VERTICAL CENTERLINE IS REFERENCED FROM THE CENTERLINE OF THE BEVEL. (INDUSTRY STANDARD BEVEL 1/8 INCH IN 2 INCHES)
 - CONSULT THE AUTHORITY HAVING JURISDICTION (AHJ) TO VERIFY THE RECOMMENDED MOUNTING HEIGHT ABOVE THE FINISHED FLOOR (AFF).
 - STANDARD TOLERANCE OF ±.015 APPLIES TO ALL DOOR PREPARATION REQUIREMENTS, UNLESS OTHERWISE SPECIFIED.
 - DOOR REINFORCEMENT IS RECOMMENDED TO IMPROVE (SURFACE MOUNTED) FASTENER HOLDING POWER AND CRUSH RESISTANCE (WHEN THRU-BOLTING IS EMPLOYED). CONSTRUCTION TECHNIQUES SHOULD REFLECT INDUSTRY BEST PRACTICES (I.E. WDMA, SDI) AND AUTHORIZED METHODS WHERE LABEL SERVICE (I.E. UL, W-H) IS IN EFFECT.
 - CAREFULLY NOTE WHICH FEATURES ARE OPTIONAL, (WHETHER THE FEATURE APPLIES TO BOTH SIDES OF THE DOOR AND/OR IF A DEPTH APPLIES).
 - MAXIMUM PRODUCT DIMENSIONS ARE SHOWN FOR THE PURPOSE OF VERIFYING FITMENT WITH DOOR FRAM STOPS, DOOR STILE SIZE & LIGHT/LOUVER KITS.
 - IF OPTIONAL LEVERS OR ROSES ARE USED REFERENCE THE RELATED PRODUCT DIMENSIONS TO VERIFY THE FITMENT REQUIREMENTS.
 - REFERENCE TRIM TEMPLATE FOR DETAILS TO PREP DOOR.
 - TO ASSURE COMPLETE RETRACTION OF LATCH BOLT, DO NOT DRILL HOLES UNTIL APPLYING EXIT DEVICE.

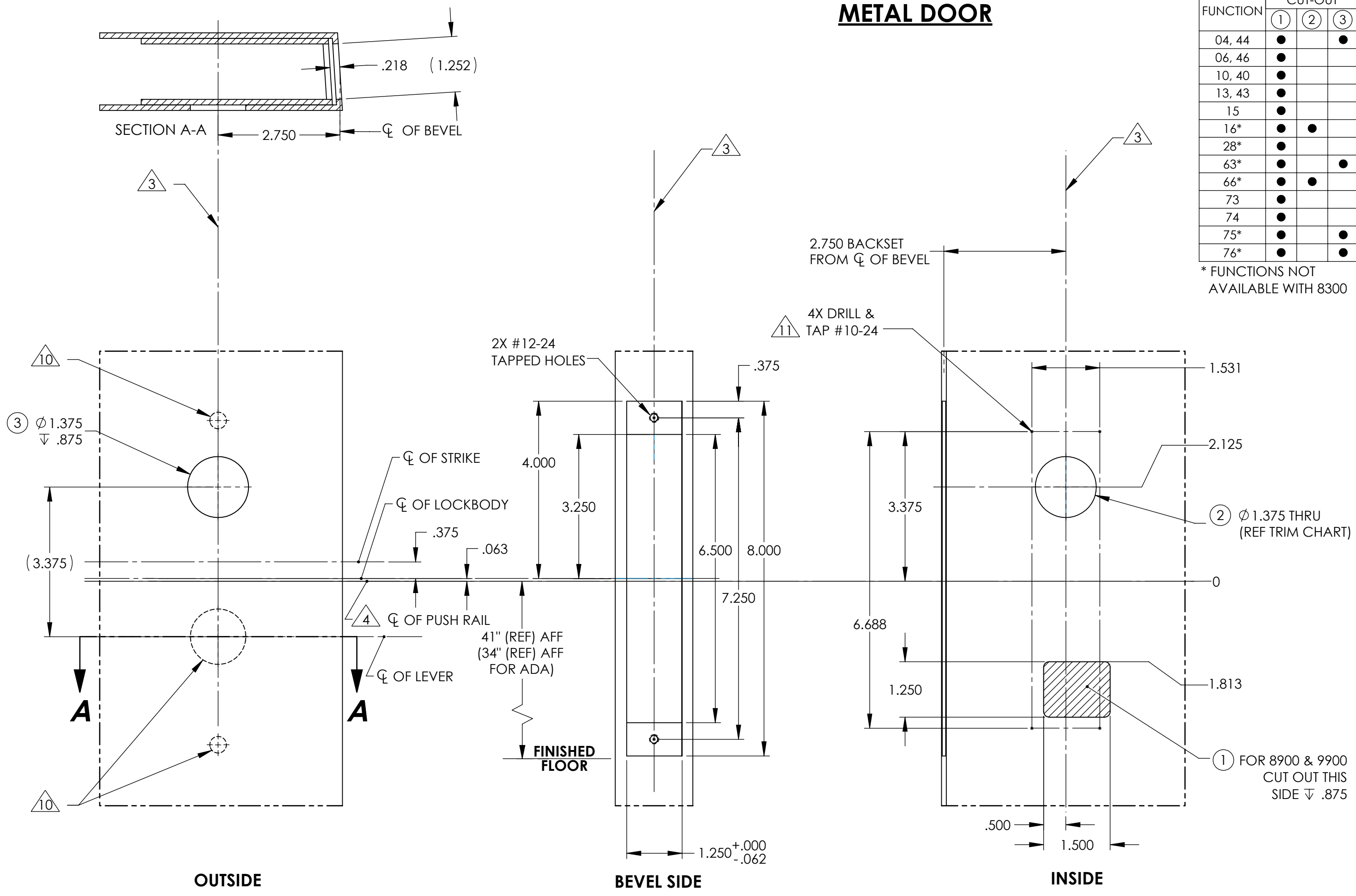


BACKSET DEFINITION	DOOR HANDING
BACKSET	L.H. INSIDE R.H.
	OUTSIDE
TOP OF DOOR VERTICAL C OF BEVEL	INSIDE
	L.H.R.B. OUTSIDE R.H.R.B.
SARGENT ASSA ABLOY	Sargent Manufacturing Company 100 Sargent Drive New Haven, CT 06511
DOOR MANUFACTURERS TEMPLATE: WOOD DOOR 8300, 8900, & 9900 EXIT DEVICE	RELEASE DATE 11/30/20
	TEMPLATE NO. 4709 3
SHEET 1 OF 2	

METAL DOOR

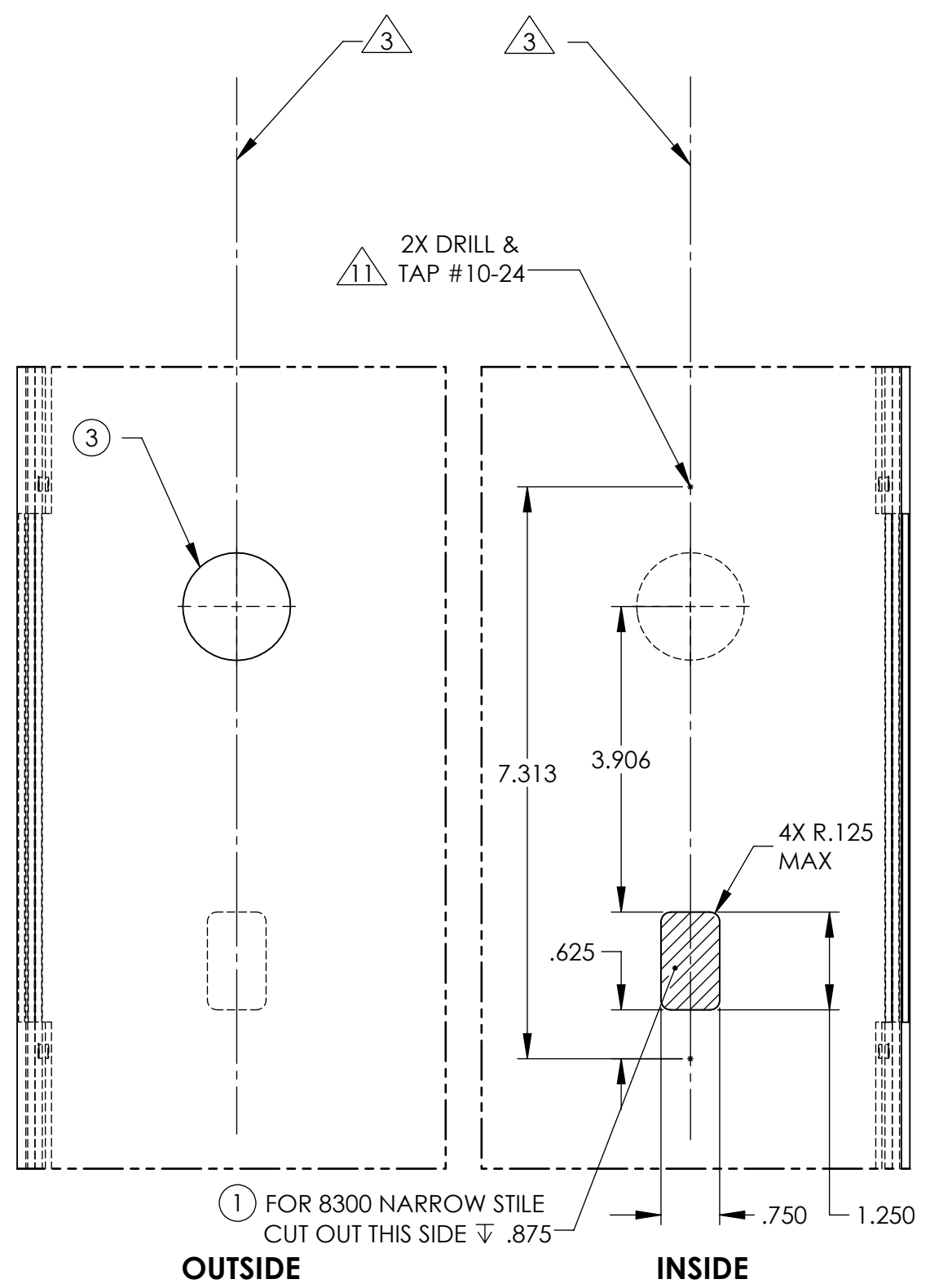
FUNCTION	CUT-OUT		
	①	②	③
04, 44	●		●
06, 46	●		
10, 40	●		
13, 43	●		
15	●		
16*	●	●	
28*	●		
63*	●		●
66*	●	●	
73	●		
74	●		
75*	●		●
76*	●		●

* FUNCTIONS NOT AVAILABLE WITH 8300



L.H.R.B. DOOR SHOWN

8900 & 9900 PREP

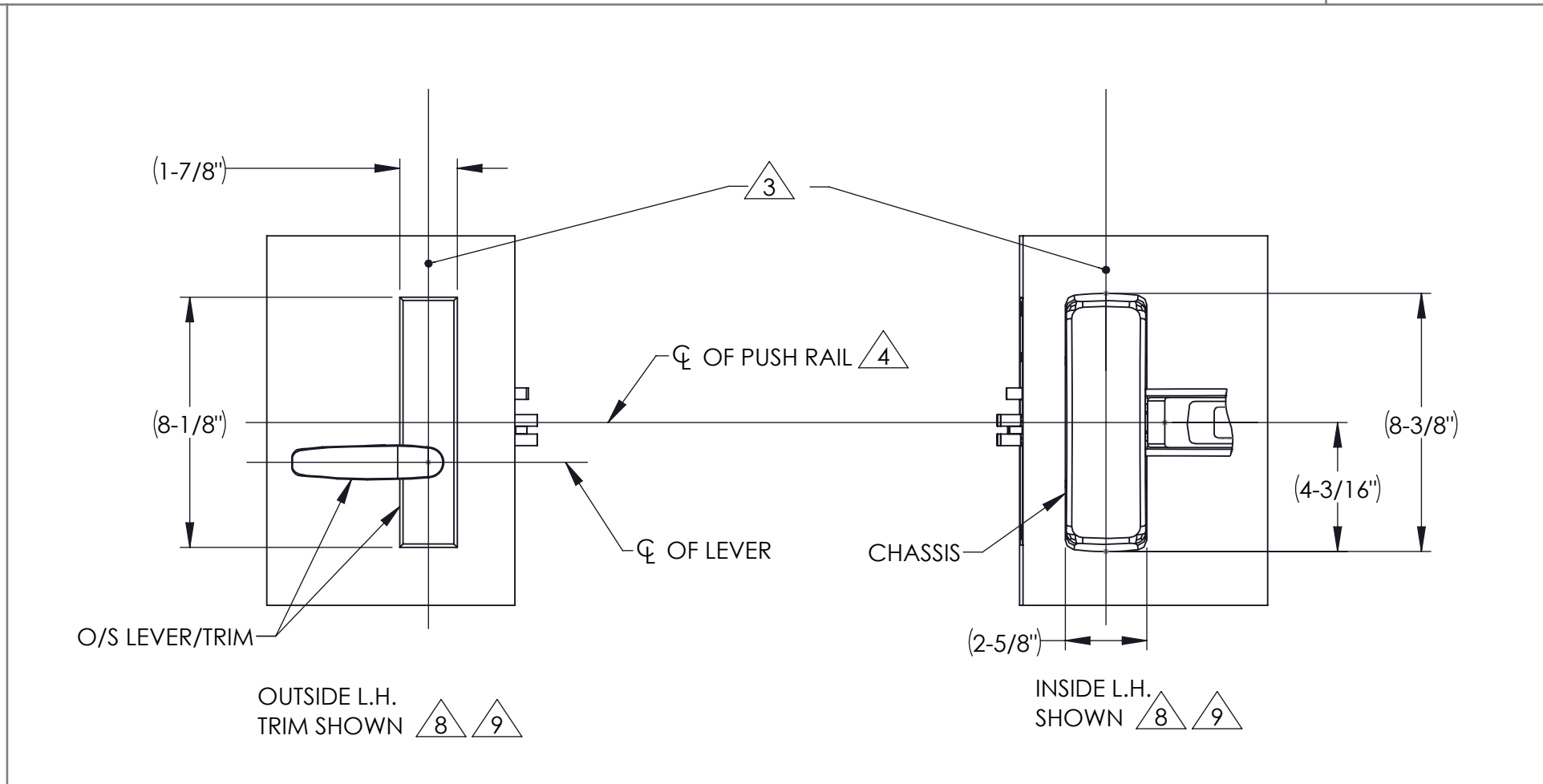


SAME AS 8900 & 9900 PREP EXCEPT FEATURES SHOWN

R.H.R.B. DOOR SHOWN

8300 PREP

- NOTES:
- DRAWING IS NOT TO SCALE
 - REFERENCE STRIKE TEMPLATE No. 4192 FOR 815 STRIKE AND NO. 3908 FOR 908 STRIKES ON HOW TO PREP THE FRAME.
 - VERTICAL CENTERLINE IS REFERENCED FROM THE CENTERLINE OF THE BEVEL. (INDUSTRY STANDARD BEVEL 1/8 INCH IN 2 INCHES)
 - CONSULT THE AUTHORITY HAVING JURISDICTION (AHJ) TO VERIFY THE RECOMMENDED MOUNTING HEIGHT ABOVE THE FINISHED FLOOR (AFF).
 - STANDARD TOLERANCE OF ±.015 APPLIES TO ALL DOOR PREPARATION REQUIREMENTS, UNLESS OTHERWISE SPECIFIED.
 - DOOR REINFORCEMENT IS RECOMMENDED TO IMPROVE (SURFACE MOUNTED) FASTENER HOLDING POWER AND CRUSH RESISTANCE (WHEN THRU-BOLTING IS EMPLOYED). CONSTRUCTION TECHNIQUES SHOULD REFLECT INDUSTRY BEST PRACTICES (I.E. WDMA, SDI) AND AUTHORIZED METHODS WHERE LABEL SERVICE (I.E. UL, W-H) IS IN EFFECT.
 - CAREFULLY NOTE WHICH FEATURES ARE OPTIONAL, (WHETHER THE FEATURE APPLIES TO BOTH SIDES OF THE DOOR AND/OR IF A DEPTH APPLIES).
 - MAXIMUM PRODUCT DIMENSIONS ARE SHOWN FOR THE PURPOSE OF VERIFYING FITMENT WITH DOOR FRAM STOPS, DOOR STILE SIZE & LIGHT/LOUVER KITS.
 - IF OPTIONAL LEVERS OR ROSES ARE USED REFERENCE THE RELATED PRODUCT DIMENSIONS TO VERIFY THE FITMENT REQUIREMENTS.
 - REFERENCE TRIM TEMPLATE FOR DETAILS TO PREP DOOR.
 - TO ASSURE COMPLETE RETRACTION OF LATCH BOLT, DO NOT DRILL HOLES UNTIL APPLYING EXIT DEVICE.



BACKSET DEFINITION	DOOR HANDING
BACKSET	L.H. INSIDE R.H.
	OUTSIDE
TOP OF DOOR VERTICAL Φ	INSIDE
Φ OF BEVEL	L.H.R.B. OUTSIDE R.H.R.B.

SARGENT ASSA ABLOY Sargent Manufacturing Company
100 Sargent Drive New Haven, CT 06511

DOOR MANUFACTURERS TEMPLATE: 8300, 8900, & 9900 EXIT DEVICE

RELEASE DATE: 11/30/20

TEMPLATE NO. 4709 3

SHEET 2 OF 2