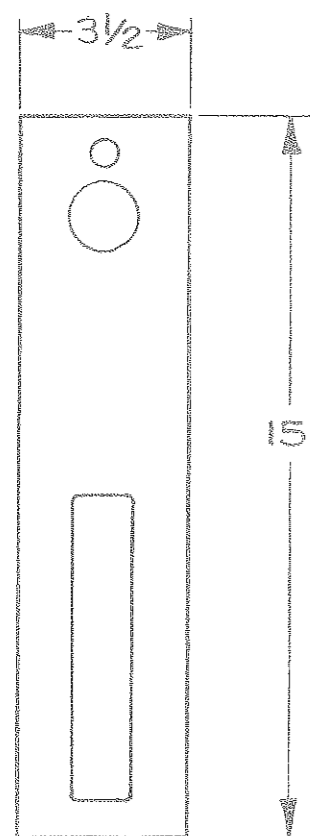
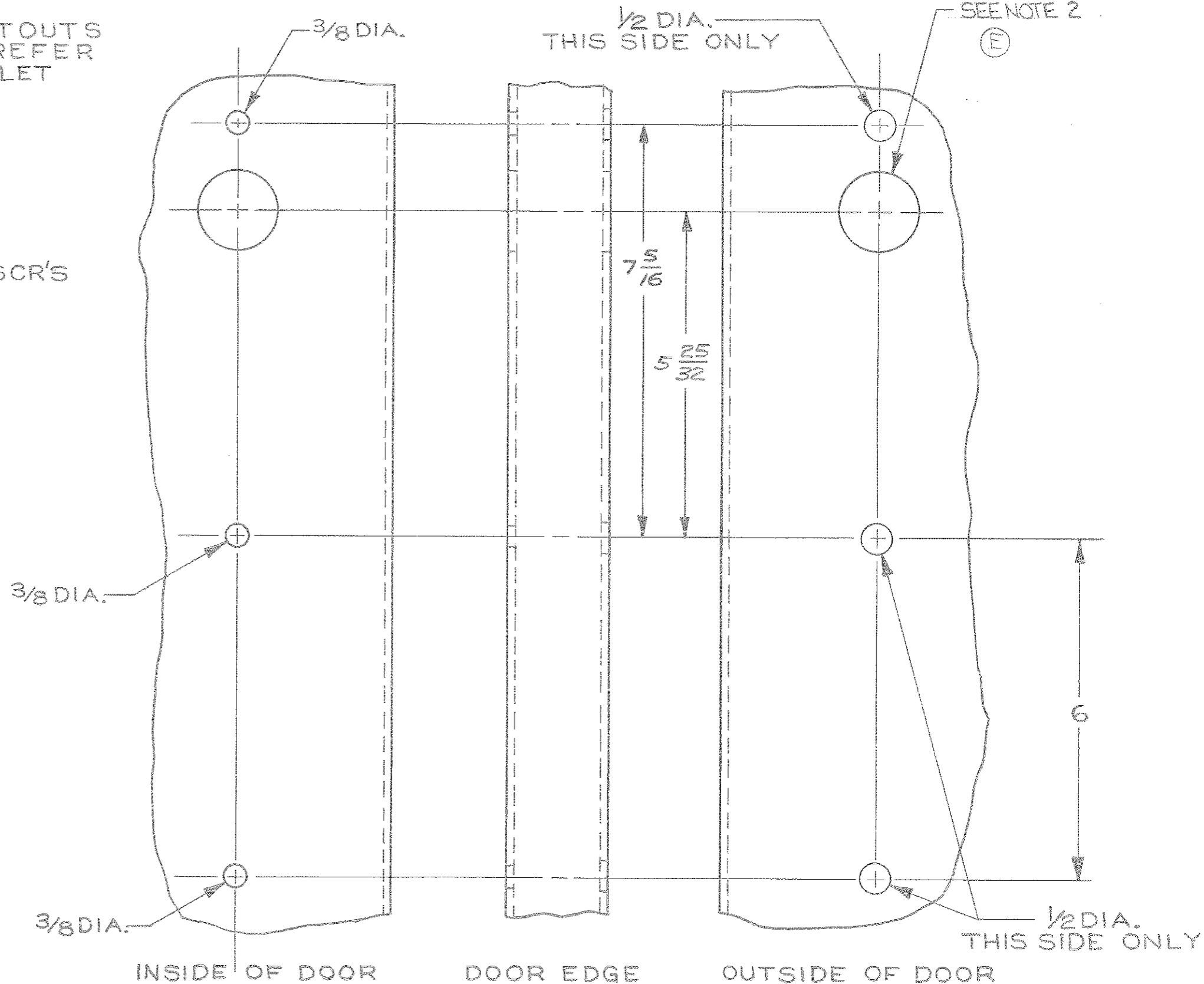
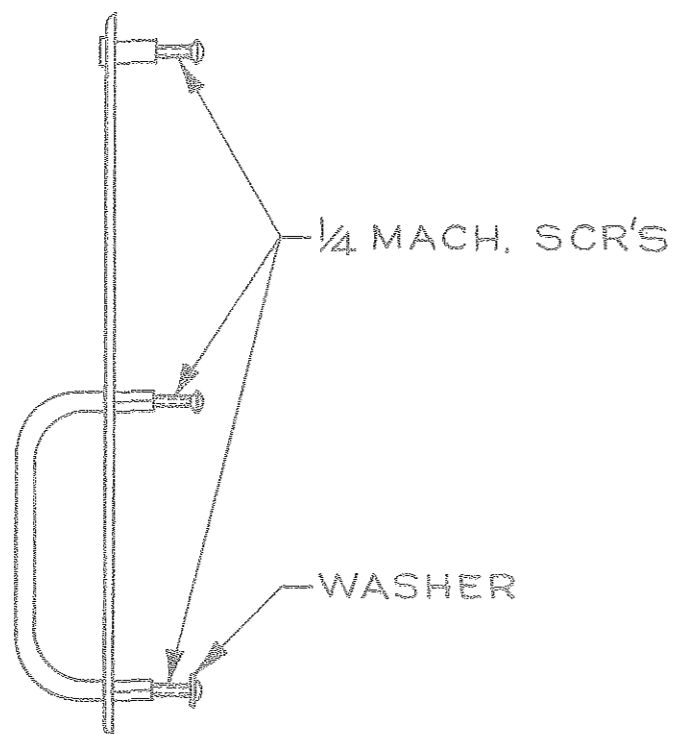


IMPORTANT  
FOR ADDITIONAL CUTOUTS  
ON INSIDE OF DOOR REFER  
TO EXIT DEVICE TEMPLAT



TRIM N° 812  
PTB DESIGN



- ② [1 3/8" DIA. HOLE THRU DOOR EXCEPT FOR 6300, 12-6300, 8300, 12-8300, 9300 AND 12-9300 EXIT DEVICE; HOLE OUTSIDE OF DOOR ONLY.]
- ① [REFER TO EXIT DEVICE TEMPLAT FOR LOCATION OF VERTICAL AND HORIZONTAL CENTER LINE OF CYLINDER.]

SARGENT & COMPANY

NEW HAVEN, CONN. 06509

METAL DOOR TEMPLAT:  
PTB TRIM

RELEASE DATE

30 MAY 89

TEMPLAT NO.

4221 E