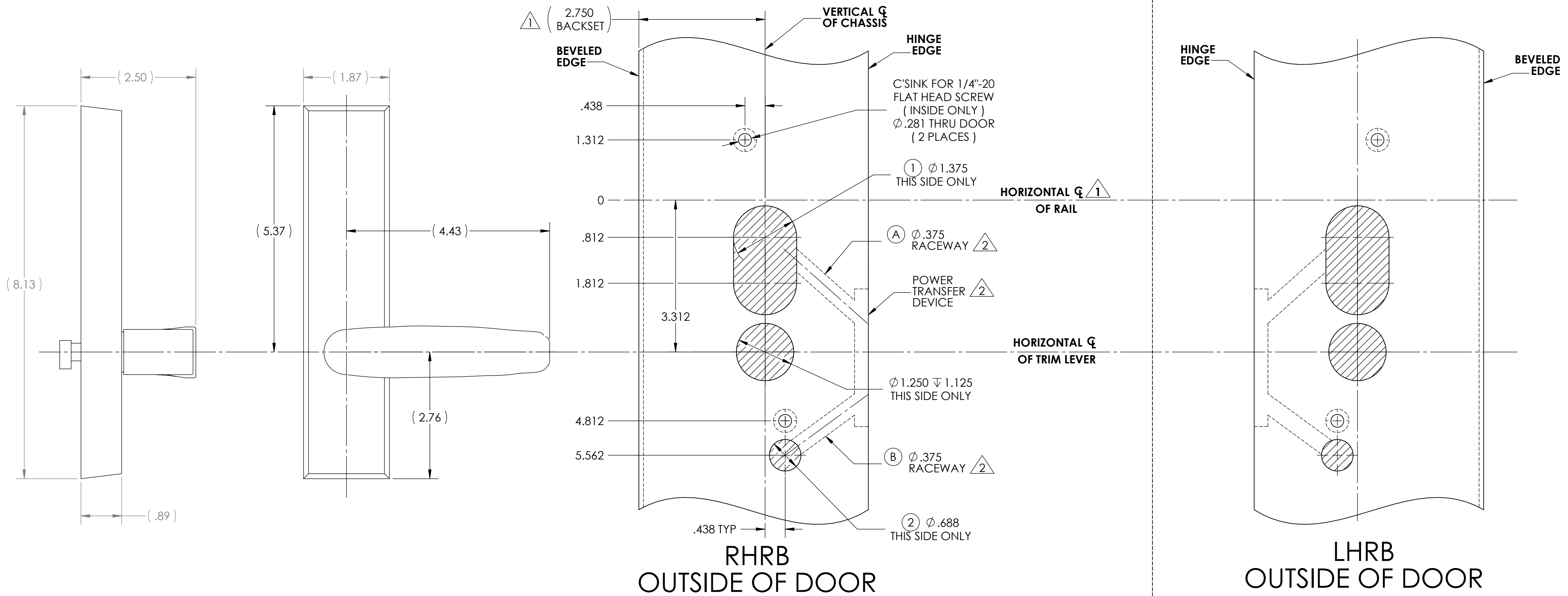


METAL DOOR

SERIES	FUNCTIONS	FEATURE ① (SOLENOID)	FEATURE ② (54- PREFIX)	RACEWAY LOCATION
8400, 8600	773-4, 774-4	X	--	(A)
	54-773-4, 54-774-4	X	X	(A)
	ALL OTHER 54-700-4	--	X	(B)

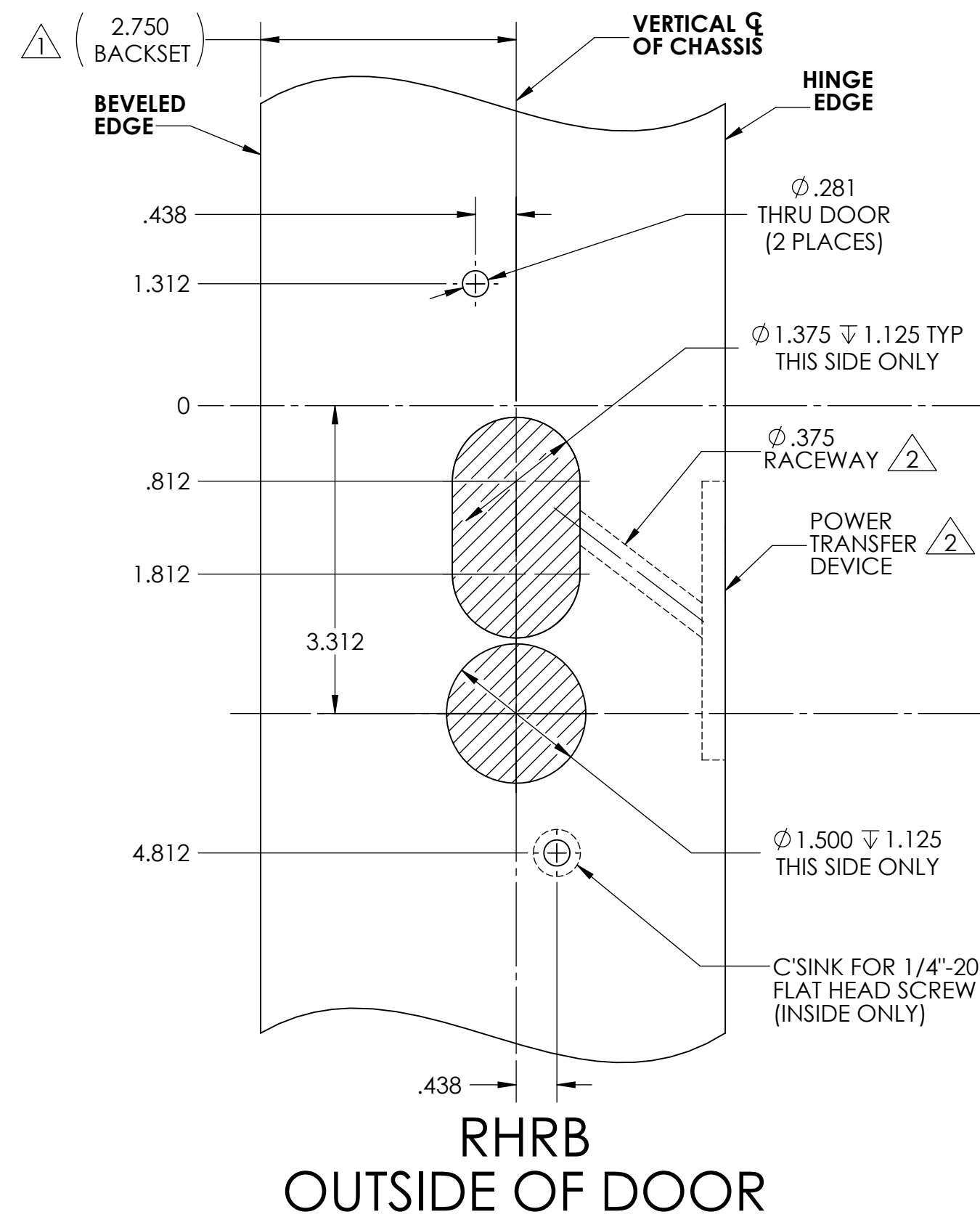


NOTES:

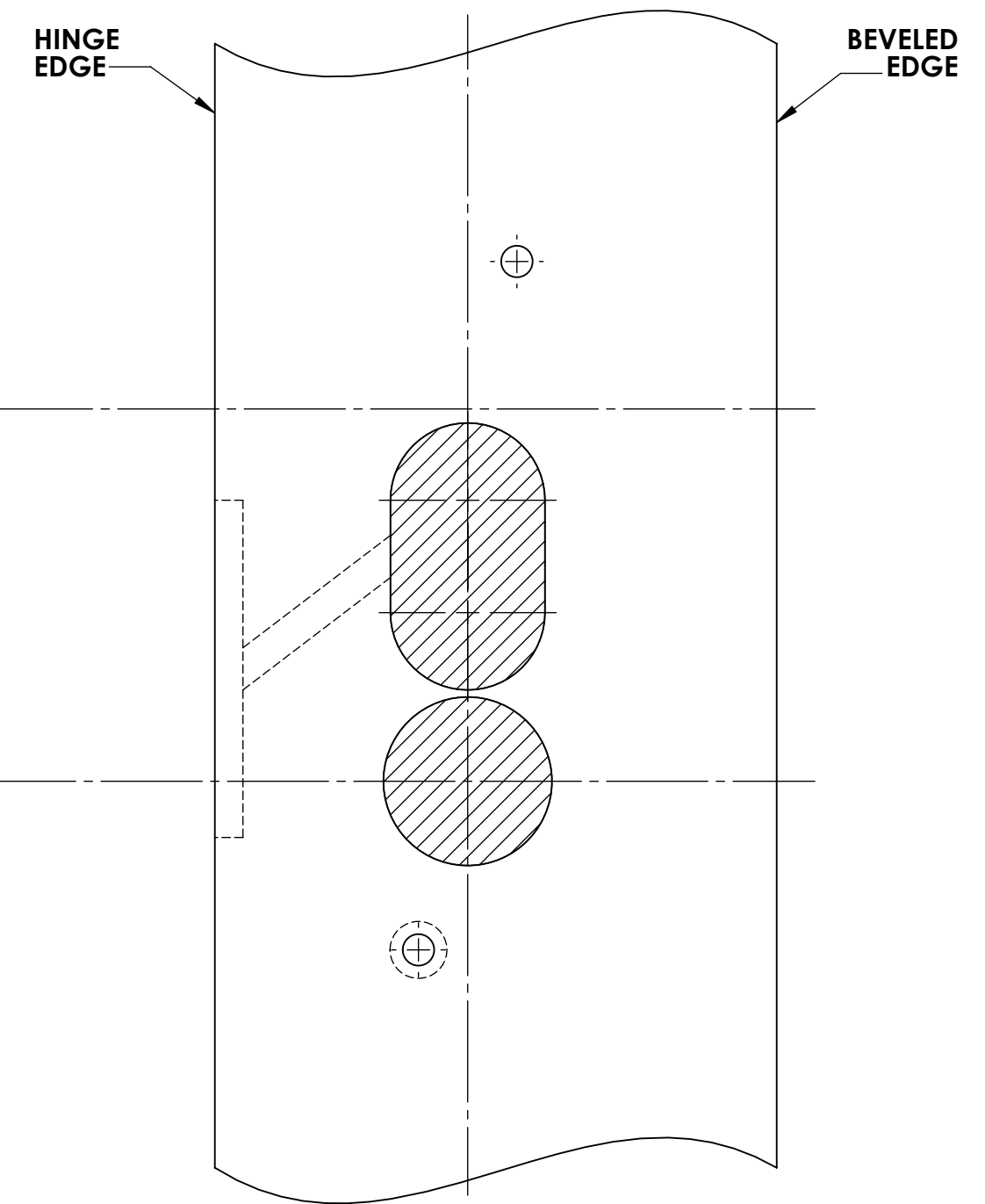
- FOR LOCATION OF VERTICAL CENTERLINES, HORIZONTAL CENTERLINES AND ALL ADDITIONAL EXIT DEVICES PREP. REFER TO APPROPRIATE EXIT DEVICE TEMPLATE.
- a. Ø.375 RACEWAY FOR ELECTRO LYNX APPLICATIONS REFER TO MCKINNEY TRANSFER CATALOG.
b. DOOR MANUFACTURE TO MAKE PROVISIONS TO PROTECT WIRES FROM ABRASION.
c. DOOR MANUFACTURE TO PROVIDE CLEARANCE REINFORCEMENT TO ALLOW INSERTION OF ELECTRICAL HINGE.
d. CONSULT WITH POWER TRANSFER MANUFACTURER FOR DEVICE CUTOUT.
- SUITABLE REINFORCEMENT REQUIRED FOR METAL DOORS.
- BEVEL REQUIRED (NOT SHOWN), PREP TO ANSI A115 SPECIFICATIONS.
- TOLERANCE ALL DIMENSIONS ±.015.
- FOR WOOD DOOR PREP SEE SHEET 2.

SARGENT Sargent Manufacturing Company
ASSA ABLOY 100 Sargent Drive New Haven, CT 06511
 DOOR MFG TEMPLATE: 54-700-4 LEVER MONITORING "ET"
 & 773-4 & 774-4 SOLENOID OPERATED "ET" CONTROL
 FOR USE WITH MD8600, 12-MD8600, MD8400, & 12-MD8400
 CONCEALED VERTICAL ROD EXIT DEVICES (METAL DOOR [SHEET 1 OF 2])
 RELEASE DATE: 06-JUL-10
 TEMPLATE NO.: 4467 F

WOOD DOOR



RHRB
OUTSIDE OF DOOR



LHRB
OUTSIDE OF DOOR

NOTES:

1. FOR LOCATION OF VERTICAL CENTERLINES, HORIZONTAL CENTERLINES AND ALL ADDITIONAL EXIT DEVICES PREP. REFER TO APPROPRIATE EXIT DEVICE TEMPLATE.
2. a. Ø .375 RACE WAY FOR ELECTRO LYNX APPLICATIONS REFER TO MCKINNEY TRANSFER CATALOG.
b. DOOR MANUFACTURER TO MAKE PROVISIONS TO PROTECT WIRES FROM ABRASION.
c. DOOR MANUFACTURE TO PROVIDE CLEARANCE REINFORCEMENT TO ALLOW INSERTION OF ELECTRICAL HINGE.
d. CONSULT WITH POWER TRANSFER MANUFACTURER FOR DEVICE CUTOUT.
3. BEVEL REQUIRED (NOT SHOWN), PREP TO ANSI A115 SPECIFICATIONS.
4. TOLERANCE ALL DIMENSIONS ±.015.
5. FOR TRIM DIMENSIONS OR METAL DOOR PREP SEE SHEET 2.

SARGENT Sargent Manufacturing Company	
ASSA ABLOY 100 Sargent Drive New Haven, CT 06511	
DOOR MFG TEMPLATE: 773-4 & 774-4 SOLENOID OPERATED "ET" CONTROL FOR USE WITH WD8600, 12-WD8600, WD8400, & 12-WD8400 CONCEALED VERTICAL ROD EXIT DEVICES WOOD DOOR (SHEET 2 OF 2)	RELEASE DATE 06-JUL-10 TEMPLATE NO. 4467 F