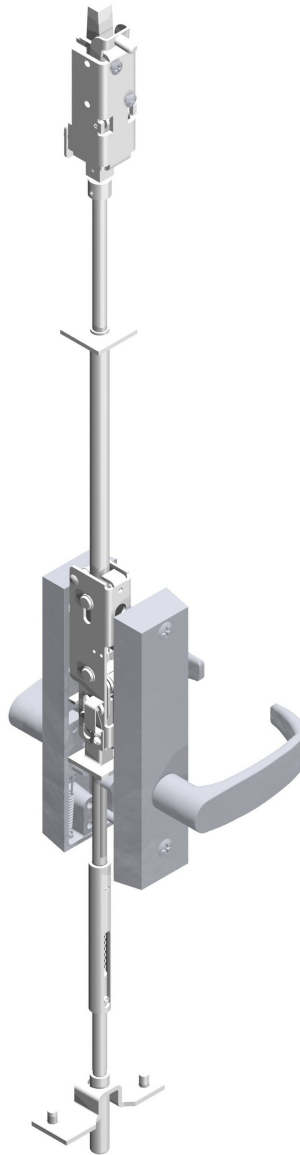


SARGENT®

ASSA ABLOY

7000 Series Parts Manual



For assistance, contact SARGENT at
800-727-5477 or www.sargentlock.com

⚠ WARNING

This product can expose you to lead which is known to the state of California to cause cancer and birth defects or other reproductive harm. For more information go to www.P65warnings.ca.gov.

08/2018

7000 SERIES MULTI-POINT LOCK

(NB)7006 (NB)7010
 (NB)7013 (NB)7015
 (NB)7040 (NB)7043
 (NB)7046 (NB)7073
 (NB)7074 (NB)7078

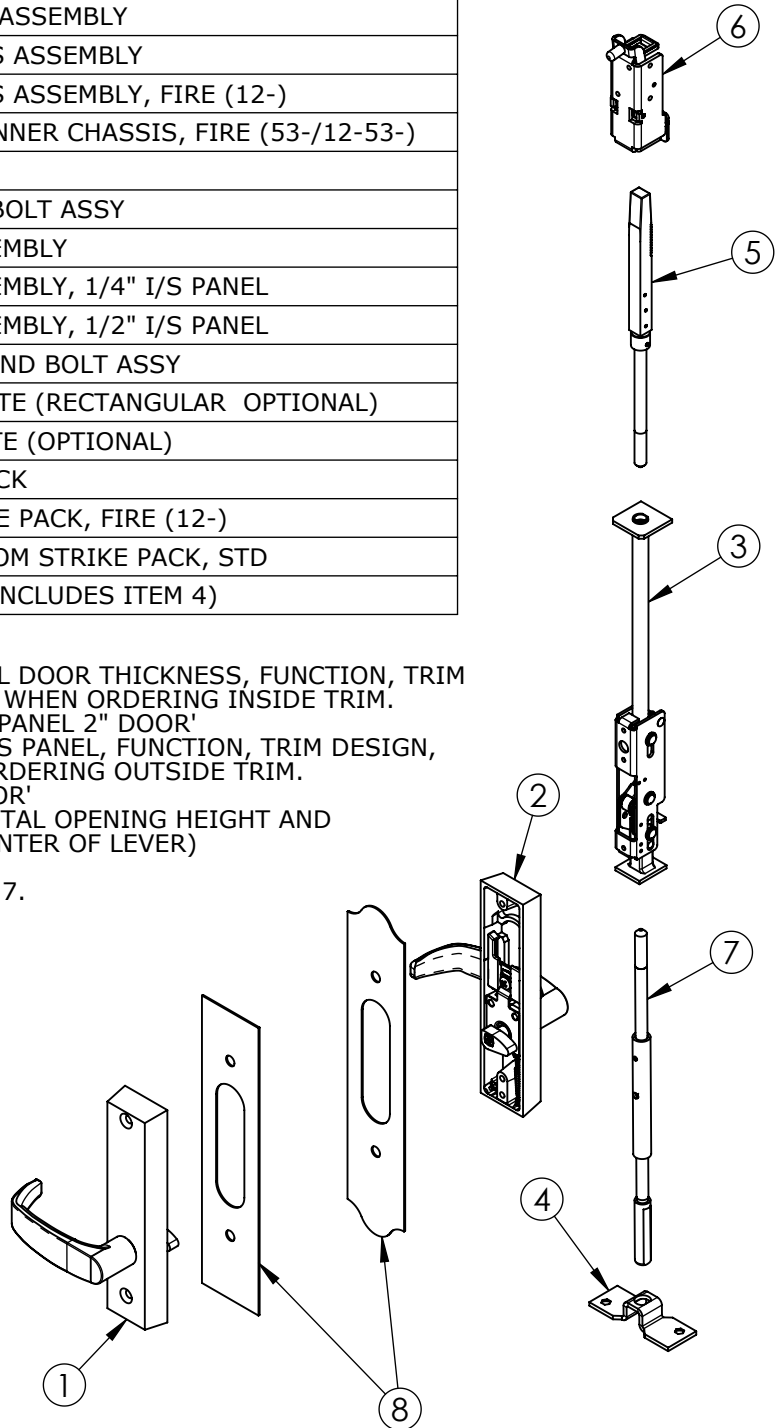
PARTS LIST

PAGE No. REV.
 70-1 B

ITEM NO.	QTY	PART NUMBER	DESCRIPTION
1	1	MP-715	INSIDE TRIM ASSEMBLY
2	1	700-2	OUTSIDE TRIM ASSEMBLY
3	1	94-2411	INNER CHASSIS ASSEMBLY
		94-2412	INNER CHASSIS ASSEMBLY, FIRE (12-)
		94-2414	MONITORING INNER CHASSIS, FIRE (53-/12-53-)
4	1	68-0888	BOTTOM CASE
5	1	68-7062	TOP ROD AND BOLT ASSY
6	1	68-5374	TOP CASE ASSEMBLY
		68-5375	TOP CASE ASSEMBLY, 1/4" I/S PANEL
		68-5376	TOP CASE ASSEMBLY, 1/2" I/S PANEL
7	1	96-2085	BOTTOM ROD AND BOLT ASSY
8	2	97-0631	STANDARD PLATE (RECTANGULAR OPTIONAL)
		97-0632	SCULPTED PLATE (OPTIONAL)
	1	650	TOP STRIKE PACK
	1	606	BOTTOM STRIKE PACK, FIRE (12-)
	1	652	TOP AND BOTTOM STRIKE PACK, STD
	1	94-2415	SCREW PACK (INCLUDES ITEM 4)

NOTES:

- SPECIFY INSIDE PANEL SIZE, TOTAL DOOR THICKNESS, FUNCTION, TRIM DESIGN, LEVER, AND FINISH WHEN ORDERING INSIDE TRIM.
'31-MP-715 ETL LH 26D 1/4" PANEL 2" DOOR'
- SPECIFY DOOR THICKNESS LESS I/S PANEL, FUNCTION, TRIM DESIGN, LEVER, AND FINISH WHEN ORDERING OUTSIDE TRIM.
'713-2 ETP LH 26D 1 3/4" DOOR'
- FOR ROD ASSEMBLIES, SPECIFY TOTAL OPENING HEIGHT AND AFF (FINISHED FLOOR TO CENTER OF LEVER)
'68-7062 84" X 36.75" AFF'
- FOR NB PREFIX OMIT ITEMS 4 AND 7.



SARGENT
ASSA ABLOY

ASSA ABLOY, the global leader
 in door opening solutions

7000 SERIES MULTI-POINT LOCK (WD) (H1) (H2)ELR

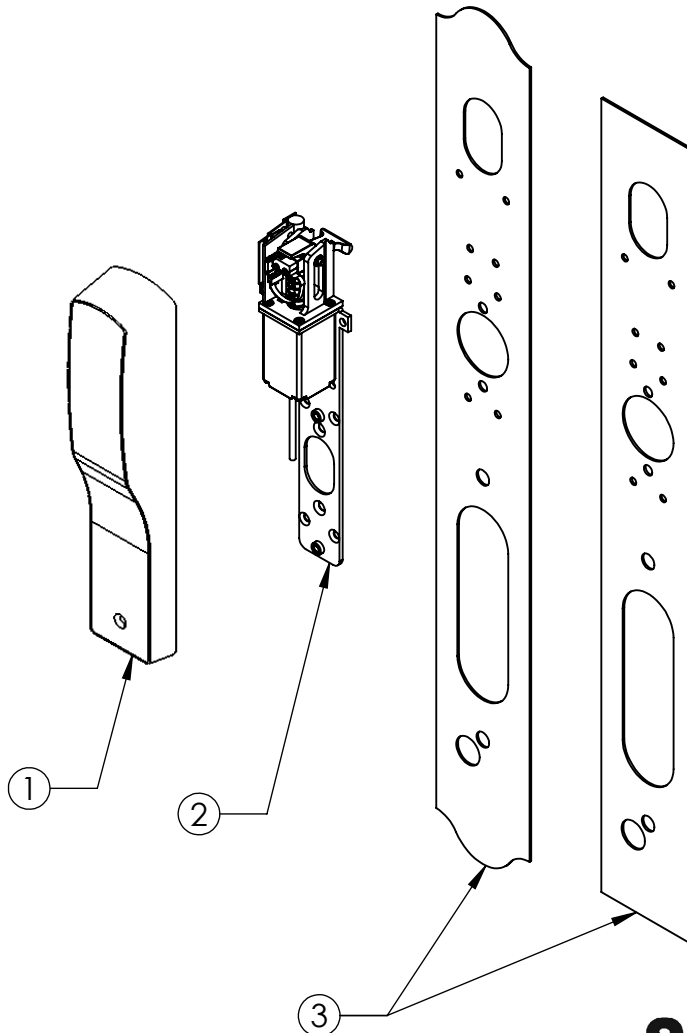
PARTS LIST

PAGE No.	REV.
70-3	A

ITEM NO.	QTY	PART NUMBER	DESCRIPTION
1	1	97-4056	COVER ASSEMBLY
2	1	52-4697	ELR ASSEMBLY
		52-4722	H1/H2 ELR ASSEMBLY
3	1	97-0825	STANDARD PLATE (RECTANGULAR)
		97-0826	SCULPTED PLATE (OPTIONAL)
	1	52-4723	MOUNTING HARDWARE
	1	52-4724	MOUNTING HARDWARE (WD-)

NOTES:

1. SPECIFY FINISH ON ITEM 1 WHEN ORDERING.
2. ITEM 3 REQUIRED FOR WD - PREFIX



7000 SERIES MULTI-POINT LOCK

(NB)WD7006 (NB)WD7010
 (NB)WD7013 (NB)WD7015
 (NB)WD7040 (NB)WD7043
 (NB)WD7046 (NB)WD7073
 (NB)WD7074 (NB)WD7078

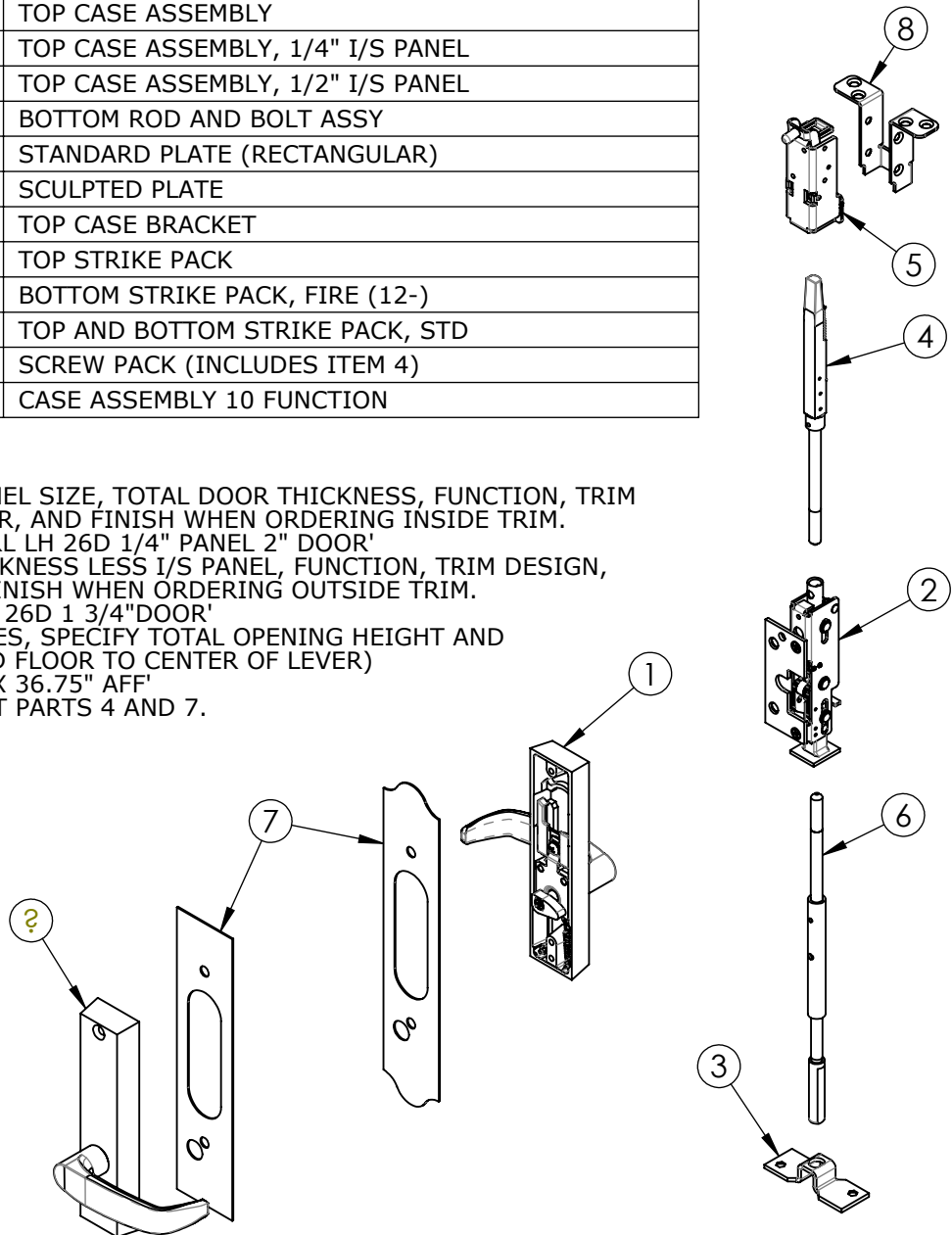
PARTS LIST

PAGE REV.
 No. B
 70-2

ITEM NO.	QTY	PART NUMBER	DESCRIPTION
1	1	700-2	OUTSIDE TRIM ASSEMBLY (VARIES)
2	1	94-2424	MONITORING INNER CASE (53-)
		94-2423	INNER CHASSIS ASSEMBLY
3	1	68-0888	BOTTOM CASE
4	1	68-5829	CVR TOP ROD AND BOLT ASSY
5	1	68-5374	TOP CASE ASSEMBLY
		68-5375	TOP CASE ASSEMBLY, 1/4" I/S PANEL
		68-5376	TOP CASE ASSEMBLY, 1/2" I/S PANEL
6	1	96-2085	BOTTOM ROD AND BOLT ASSY
8	2	97-0631	STANDARD PLATE (RECTANGULAR)
		97-0632	SCULPTED PLATE
8	1	68-1264	TOP CASE BRACKET
	1	650	TOP STRIKE PACK
	1	606	BOTTOM STRIKE PACK, FIRE (12-)
	1	652	TOP AND BOTTOM STRIKE PACK, STD
	1	94-2431	SCREW PACK (INCLUDES ITEM 4)
9	1	97-3934	CASE ASSEMBLY 10 FUNCTION

NOTES:

- SPECIFY INSIDE PANEL SIZE, TOTAL DOOR THICKNESS, FUNCTION, TRIM DESIGN, LEVER, AND FINISH WHEN ORDERING INSIDE TRIM.
'31-MP-715 ERL LH 26D 1/4" PANEL 2" DOOR'
- SPECIFY DOOR THICKNESS LESS I/S PANEL, FUNCTION, TRIM DESIGN, LEVER, AND FINISH WHEN ORDERING OUTSIDE TRIM.
'713-2 ERP LH 26D 1 3/4" DOOR'
- FOR ROD ASSEMBLIES, SPECIFY TOTAL OPENING HEIGHT AND AFF (FINISHED FLOOR TO CENTER OF LEVER)
'68-7062 84" X 36.75" AFF'
- FOR NB PREFIX OMIT PARTS 4 AND 7.



© SARGENT Manufacturing Company. All Rights reserved.

SARGENT®
ASSA ABLOY