

80 series Parts List

(12-)8304 (12-)8310 (12-)8313
 (12-)8315 (12-)8328 (12-)8340
 (12-)8343 (12-)8344 (12-)8363
 (12-)8370 (12-)8371 (12-)8375
 (12-)8378

Parts List

Page No. Rev.

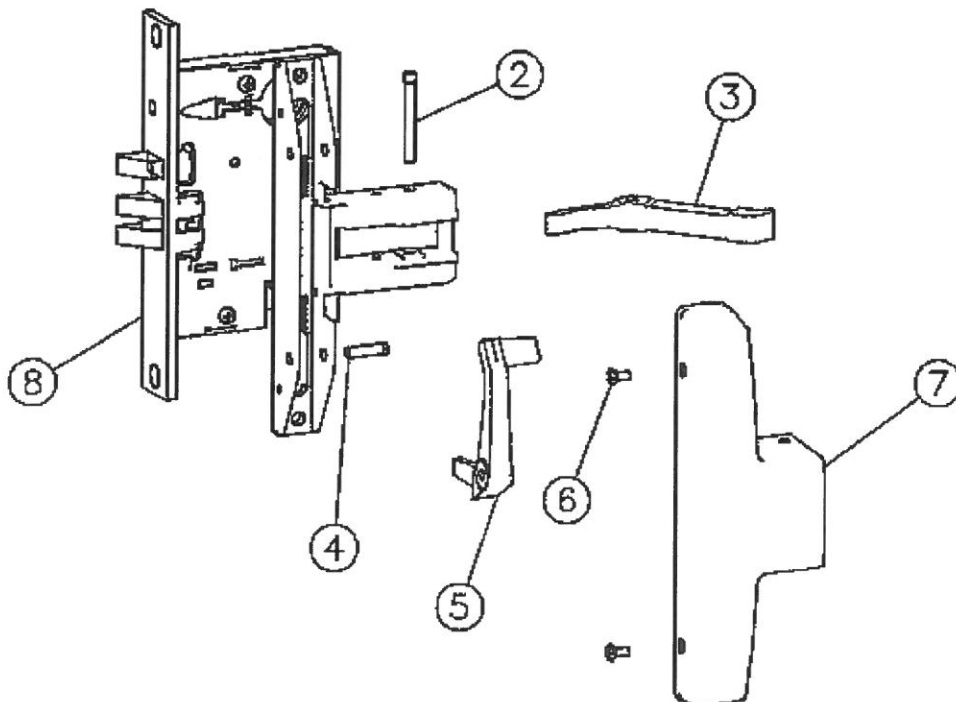
83.1 B

11/11/2002

		CHASSIS ASSEMBLY LESS COVER	
(12-)8300	ALL FUNCTIONS 1 3/4" DOOR	LHRB RHRB	68-2481 68-2482
	ALL FUNCTIONS 2" - 2 3/4" DOOR	LHRB RHRB	68-2483 68-2484

ITEM	ASSY NO.	PART NO.	DESCRIPTION	QTY
2		68-0239	PIVOT PIN LIFT ARM	1
3		68-0241	LIFT ARM	1
4		68-0479	PIVOT PIN LIFT LEVER	1
5		68-0489	LIFT LEVER LHRB 1 3/4" DOOR	1
		68-0490	LIFT LEVER RHRB 1 3/4" DOOR	
		68-0491	LIFT LEVER LHRB 2 3/4" DOOR	
		68-0492	LIFT LEVER RHRB 2 3/4" DOOR	
6		97-0052	SCREW #8-32 X 5/16 *	1
7		68-0496	COVER *	1
8	SEE 900 SERIES MORTISE		MORTISE ASSEMBLY *	1
-		68-2520	SCREW PACK STANDARD	
-		68-2522	SCREW PACK 12-	
-		68-2182	STRIKE PACK LHRB 1 3/4 (C908) *	
-		68-2183	STRIKE PACK RHRB 1 3/4 (C908) *	
-		68-2184	STRIKE PACK LHRB 2 3/4 (C908) *	
-		68-2185	STRIKE PACK RHRB 2 3/4 (C908) *	

* SPECIFY FINISH



8⁰ Series Parts List

MD8406	MD8410
MD8413	MD8415
MD8440	MD8443
MD8446	MD8473
MD8474	

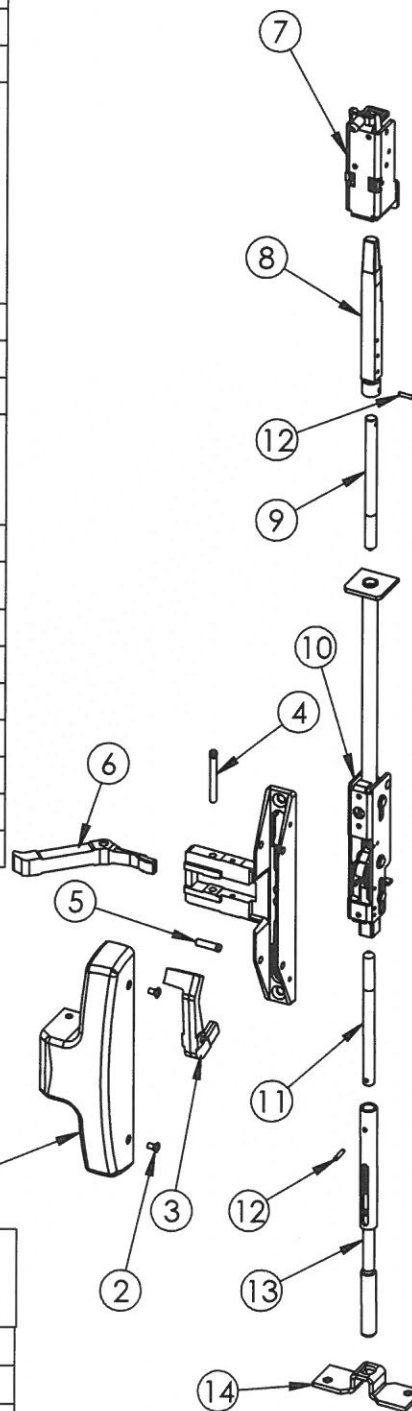
PARTS LIST

PAGE	REV.
No.	D
84.1	

2/12/2009

ITEM	ASSEMBLY NUMBER	PART NUMBER	DESCRIPTION	QTY
1		68-0496	CHASSIS COVER (NARROW) *	1
2		97-0052	SCREW #8-32 x 5/16" *	2
3		68-1644	LIFT LEVER (LHRB)	1
		68-1645	LIFT LEVER (RHRB)	
		68-1646	LIFT LEVER (LHRB 1/2" PANEL)	
		68-1647	LIFT LEVER (RHRB 1/2" PANEL)	
		68-1649	LIFT LEVER (1/4" LHRB)	
		68-1650	LIFT LEVER (1/2" RHRB)	
4		68-0239	PIVOT PIN (LIFT ARM)	1
5		68-0479	LIFT LEVER PIVOT PIN	2
6		68-0241	LIFT ARM	1
7	68-7058	68-5374	TOP CASE ASSEMBLY (STANDARD)	1
		68-5375	TOP CASE ASSEMBLY 1/4" PANEL	
		68-5376	TOP CASE ASSEMBLY (1/2" PANEL)	
8		68-4840	TOP BOLT ASSEMBLY	1
9		MD660T	TOP ROD (SPECIFY DOOR SIZE x CROSSBAR HEIGHT)	1
10	94-2008	-	INNER CASE ASSEMBLY	1
11		660B	BOTTOM ROD	1
12	68-7059	01-0696	SPIROL PIN	2
13		-	BOTTOM BOLT ASSEMBLY	1
14		68-0888	BOTTOM CASE	1
-		68-3676	SCREW PACK	1
-		652	METAL DOOR STRIKE PACK	1

* SPECIFY FINISH



MD8400	ALL FUNCTIONS	CHASSIS ASSEMBLY LESS COVER	
		FINISH	PART NUMBER
		LHRB	68-5944
		RHRB	68-5945
		LHRB (1/2" PANEL)	68-5946
		RHRB (1/2" PANEL)	68-5951
		LHRB (1/4" PANEL)	68-6013
		LHRB (1/4" PANEL)	68-6014

© SARGENT Manufacturing Company. All Rights reserved.

SARGENT

ASSA ABLOY

80

Series
Parts List

12-MD8406 12-MD8410
12-MD8413 12-MD8415
12-MD8440 12-MD8443
12-MD8446 12-MD8473
12-MD8474

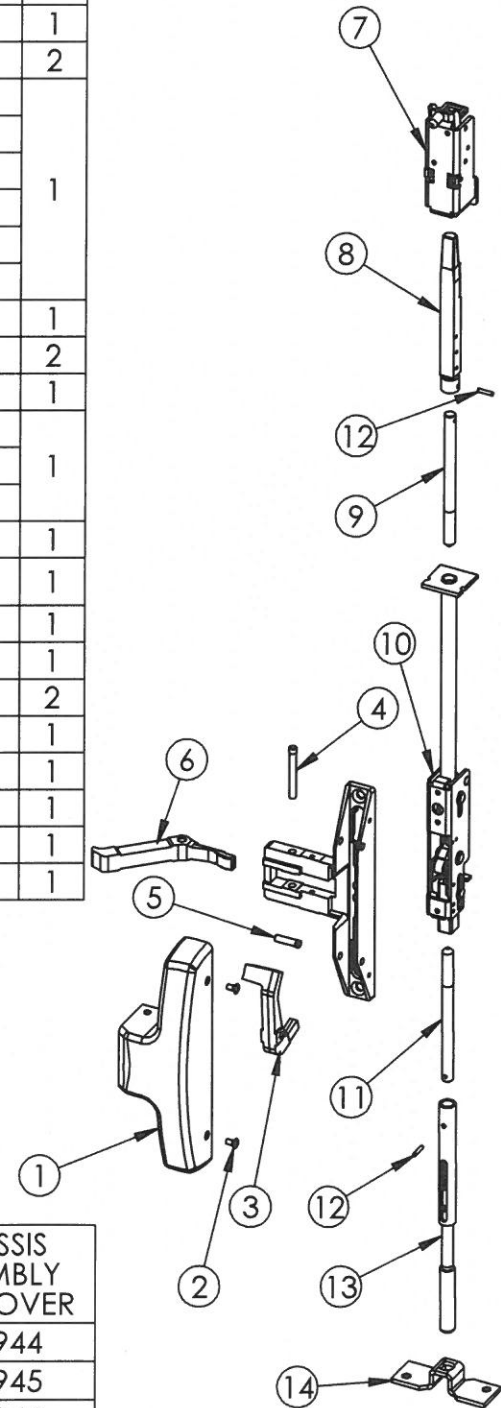
PARTS LIST

PAGE REV.
No. 84.2 D

2/12/2009

ITEM	ASSEMBLY NUMBER	PART NUMBER	DESCRIPTION	QTY
1		68-0496	CHASSIS COVER (NARROW) *	1
2		97-0052	SCREW #8-32 x 5/16" *	2
3		68-1644	LIFT LEVER (LHRB)	1
		68-1645	LIFT LEVER (RHRB)	
		68-1646	LIFT LEVER (LHRB 1/2" PANEL)	
		68-1647	LIFT LEVER (RHRB 1/2" PANEL)	
		68-1649	LIFT LEVER (1/4" LHRB)	
		68-1650	LIFT LEVER (1/2" RHRB)	
4		68-0239	PIVOT PIN (LIFT ARM)	1
5		68-0479	LIFT LEVER PIVOT PIN	2
6		68-0241	LIFT ARM	1
7	68-7058	68-5374	TOP CASE ASSEMBLY (STANDARD)	1
		68-5375	TOP CASE ASSEMBLY 1/4" PANEL	
		68-5376	TOP CASE ASSEMBLY (1/2" PANEL)	
8		68-4840	TOP BOLT ASSEMBLY	1
9		MD660T	TOP ROD (SPECIFY DOOR SIZE x CROSSBAR HEIGHT)	1
10	68-3627	-	INNER CASE ASSEMBLY	1
11		660B	BOTTOM ROD	1
12	68-7059	01-0696	SPIROL PIN	2
13		-	BOTTOM BOLT ASSEMBLY	1
14		68-0888	BOTTOM CASE	1
-		68-3676	SCREW PACK	1
-		650	TOP STRIKE PACK	1
-		606	BOTTOM STRIKE PACK	1

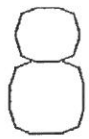
* SPECIFY FINISH



8400	ALL FUNCTIONS	CHASSIS ASSEMBLY LESS COVER	
		LHRB	68-5944
		RHRB	68-5945
		LHRB (1/2" PANEL)	68-5946
		RHRB (1/2" PANEL)	68-5951
		LHRB (1/4" PANEL)	68-6013
		LHRB (1/4" PANEL)	68-6014

© SARGENT Manufacturing Company. All Rights reserved.

SARGENT
ASSA ABLOY



series
Parts List

NB-MD8406 NB-MD8410
 NB-MD8413 NB-MD8415
 NB-MD8440 NB-MD8443
 NB-MD8446 NB-MD8473
 NB-MD8474

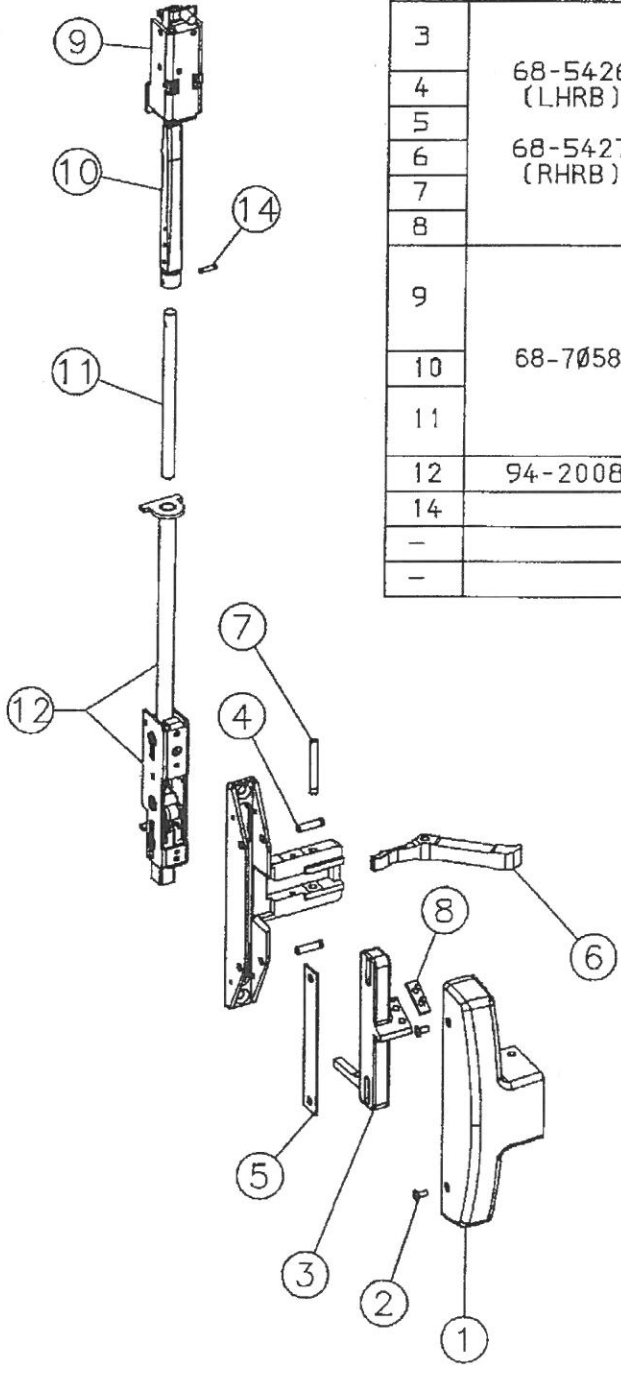
Parts List
 Page No 84.3 Rev A
 12/31/2004


CHASSIS ASSEMBLY
 LESS COVER

MD8400	ALL FUNCTIONS	LHRB RHRB	68-5426 68-5427
--------	---------------	--------------	--------------------

ITEM	ASSY NO.	PART NO.	DESCRIPTION	QTY
1		68-0496	COVER*	1
2		97-0052	SCREW* #8-32 X 5/16	2
3	68-5426 (LHRB)	68-0014	MAIN SLIDE LHRB	1
4		68-0015	MAIN SLIDE RHRB	
5	68-5427 (RHRB)	68-0479	PIVOT PIN (MAIN SLIDE)	2
6		68-0025	NYLON SPACER	1
7		68-0241	LIFT ARM	1
8		68-0239	PIVOT PIN (LIFT ARM)	1
9	68-7058	68-0016	SKID PAD	1
10		68-5374	TOP CASE ASSEMBLY STANDARD	1
		68-5375	TOP CASE ASSEMBLY 1/4" PANEL	
		68-5376	TOP CASE ASSEMBLY 1/2" PANEL	
11	68-4840	TOP BOLT ASSEMBLY	1	
12	94-2008	---	INNER CASE ASSY	1
14		01-0696	SPIROL PIN	1
-		68-2561	SCREW PACK	1
-		650	STRIKE PACK	1

* SPECIFY FINISH



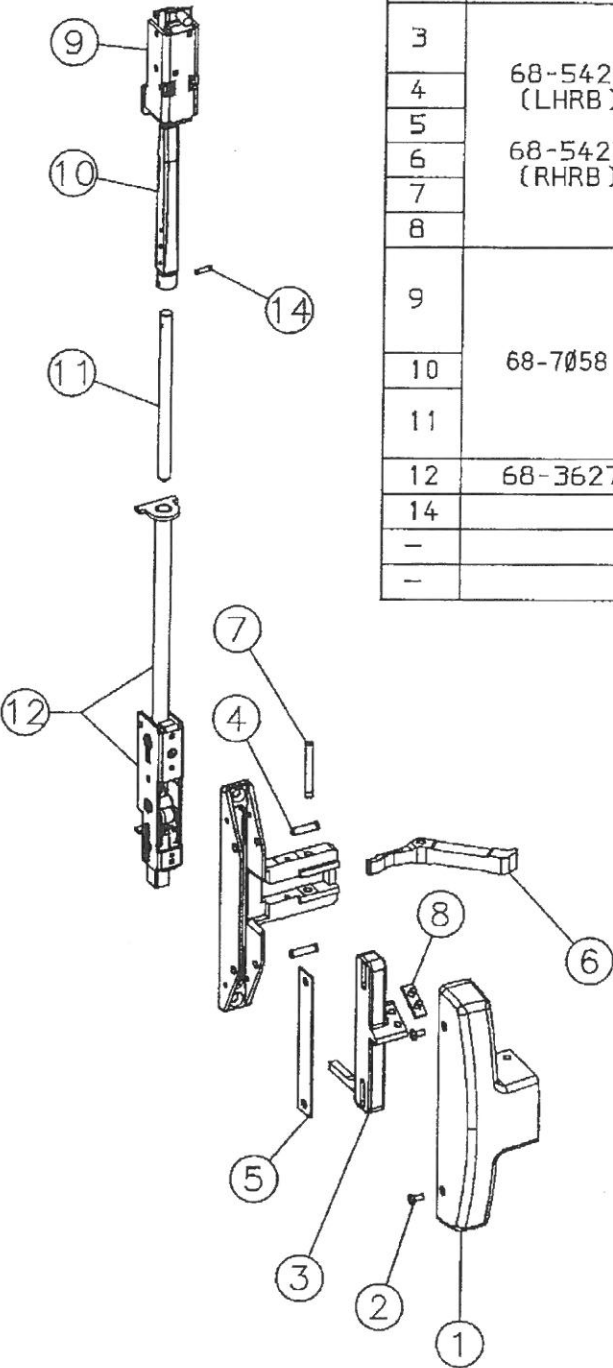

 series
 Parts List

12-NB-MD8406	12-NB-MD8410
12-NB-MD8413	12-NB-MD8415
12-NB-MD8440	12-NB-MD8443
12-NB-MD8446	12-NB-MD8473
12-NB-MD8474	

Parts List	
Page No	Rev
84.4	A
12/31/2004	

		CHASSIS ASSEMBLY LESS COVER	
8400	ALL FUNCTIONS	LHRB RHRB	68-5426 68-5427

ITEM	ASSY NO.	PART NO.	DESCRIPTION	QTY
1		68-0496	COVER*	1
2		97-0052	SCREW* #8-32 X 5/16	2
3	68-5426 (LHRB)	68-0014	MAIN SLIDE LHRB	1
		68-0015	MAIN SLIDE RHRB	
4		68-0479	PIVOT PIN (MAIN SLIDE)	2
5		68-0025	NYLON SPACER	1
6	68-5427 (RHRB)	68-0241	LIFT ARM	1
7		68-0239	PIVOT PIN (LIFT ARM)	1
8		68-0016	SKID PAD	1
9	68-7058	68-5374	TOP CASE ASSEMBLY STANDARD	1
		68-5375	TOP CASE ASSEMBLY 1/4" PANEL	
		68-5376	TOP CASE ASSEMBLY 1/2" PANEL	
10		68-4840	TOP BOLT ASSEMBLY	1
11		68-0044	TOP ROD (SPECIFY DOOR SIZE X CROSSBAR HEIGHT)	1
12	68-3627	---	INNER CASE ASSY	1
14		01-0696	SPIROL PIN	1
-		68-3676	SCREW PACK	1
-		650	TOP STRIKE PACK	1



* SPECIFY FINISH

80 SERIES PARTS LIST

8504 8513 8515
8543 8544 8573
8574

MANUFACTURED
BEFORE 12-07-09

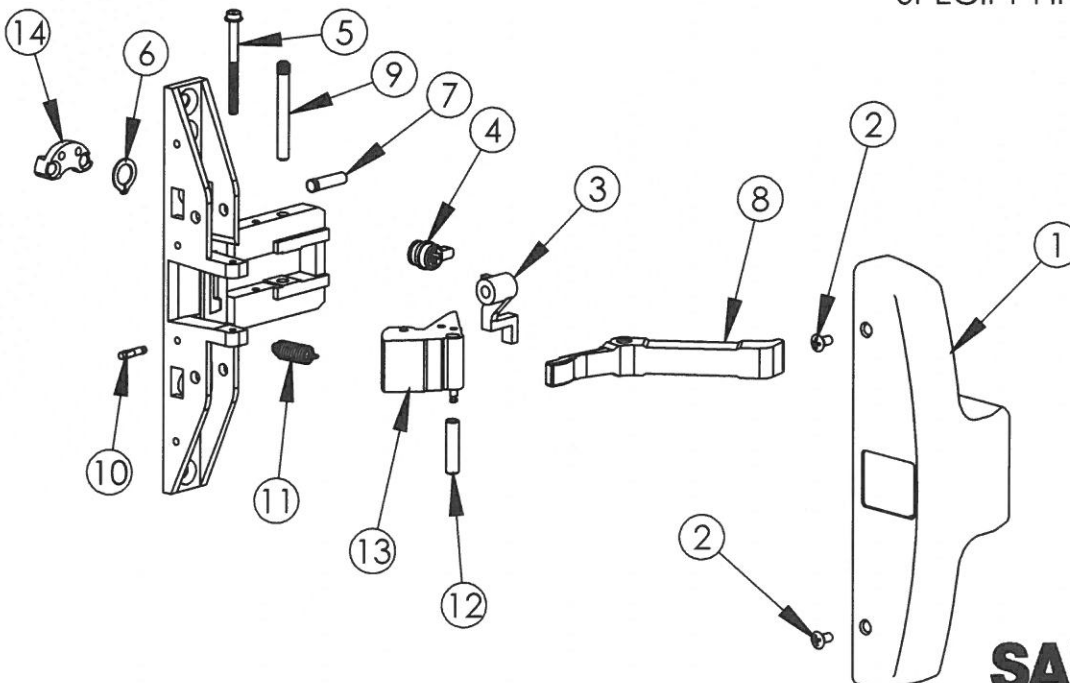
PARTS LIST

PAGE No. 85.1
REV. C

8/2009

ITEM No.	ASSY No.	PART No.	DESCRIPTION	QTY
1		68-0495	COVER *	1
2		97-0052	SCREW #8-32 x 5/16 *	2
3		68-0477	LIFT LEVER LHRB	1
		68-0478	LIFT LEVER RHRB	
4		94-0088	CYLINDER HUB	1
5		01-0013	CAP SCREW, SEMS	1
6		01-0005	RETAINING RING	1
7	68-2421 LHRB	68-0479	LIFT LEVER PIVOT PIN	1
8		68-0241	LIFT ARM	1
9	68-2422 RHRB	68-0239	PIVOT PIN (LIFT ARM)	1
10		01-0008	GROOVE PIN	1
11		98-0028	LATCH BOLT SPRING	1
12		97-0040	BUSHING	1
13		68-2418	LATCH BOLT ASSEMBLY LHRB	1
		68-2419	LATCH BOLT ASSEMBLY RHRB	
14		13-2099	CYLINDER RETAINER PACK 04 & 44 FUNCTIONS ONLY	1
		68-2512	SCREW PACK	1
		657	STRIKE PACK	1

* SPECIFY FINISH



© SARGENT Manufacturing Company. All Rights reserved.

SARGENT

ASSA ABLOY

80 SERIES PARTS LIST

8510
8540

MANUFACTURED
BEFORE 12-07-09

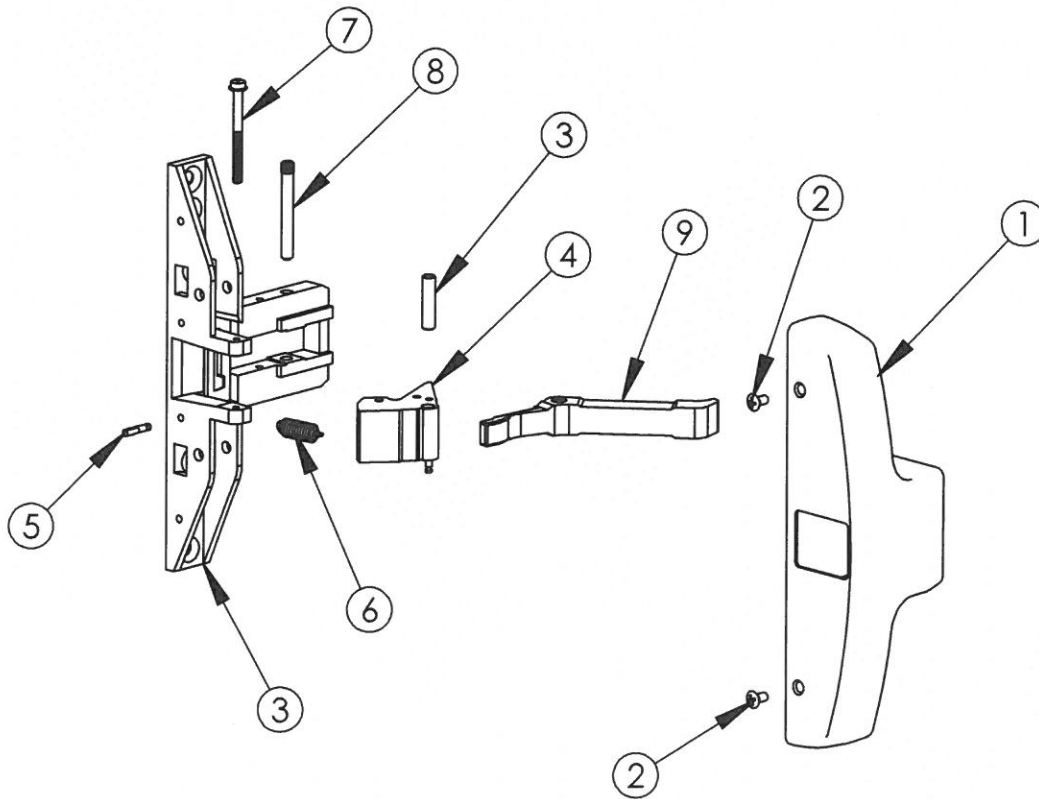
PARTS LIST

PAGE No. 85.2
REV. B

8/2009

ITEM No.	ASSY No.	PART No.	DESCRIPTION	QTY
1		68-0495	COVER *	1
2		97-0052	SCREW #8-32 x 5/16 *	2
3		97-0040	BUSHING	1
4		68-2418	LATCH BOLT AND PIN ASSEMBLY	1
5		01-0008	GROOVE PIN	1
6	68-2508	98-0028	LATCH BOLT SPRING	1
7		01-0013	CAP SCREW, SEMS	1
8		68-0239	PIVOT PIN (LIFT ARM)	1
9		68-0241	LIFT ARM	1
		68-2512	SCREW PACK	1
		657	STRIKE PACK	1

* SPECIFY FINISH



© SARGENT Manufacturing Company. All Rights reserved.

SARGENT

ASSA ABLOY

80 SERIES PARTS LIST

8504 8510 8513
8515 8540 8543
8544 8573 8574

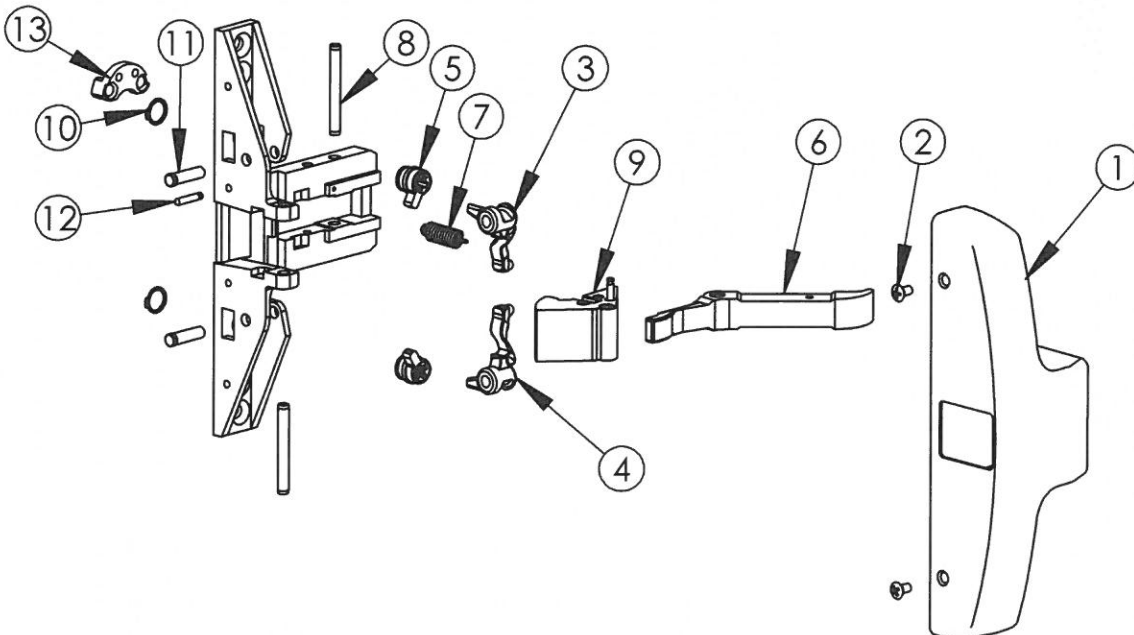
MANUFACTURED
AFTER 12-07-09

PARTS LIST

PAGE No. 85.3
REV. A

ITEM No.	ASSY No.	PART No.	DESCRIPTION	QTY	
1		68-0495	COVER *	1	
2		97-0052	SCREW #8-32 x 5/16 *	2	
3	68-5880	68-1625	LIFT LEVER RHRB	1	
4		68-1626	LIFT LEVER LHRB	1	
5		94-0088	CYLINDER HUB	2	
6		68-1137	LIFT ARM	1	
7		98-0028	LATCH BOLT SPRING	1	
8		01-4512	SPIROL PIN	2	
9		68-2120	LATCHBOLT ASSEMBLY	1	
10		01-0005	RETAINING RING	2	
11		68-0479	LIFT LEVER PIVOT PIN	2	
12		01-0008	GROOVE PIN	1	
13			13-0458	CYLINDER RETAINER PACK 04 & 44 FUNCTIONS ONLY	1
			68-2512	SCREW PACK	1
		657	STRIKE PACK	1	

* SPECIFY FINISH



© SARGENT Manufacturing Company. All Rights reserved.

SARGENT®

ASSA ABLOY

80 SERIES PARTS LIST

8504 8510 8513
8515 8540 8543
8544 8573 8574
GUARDED

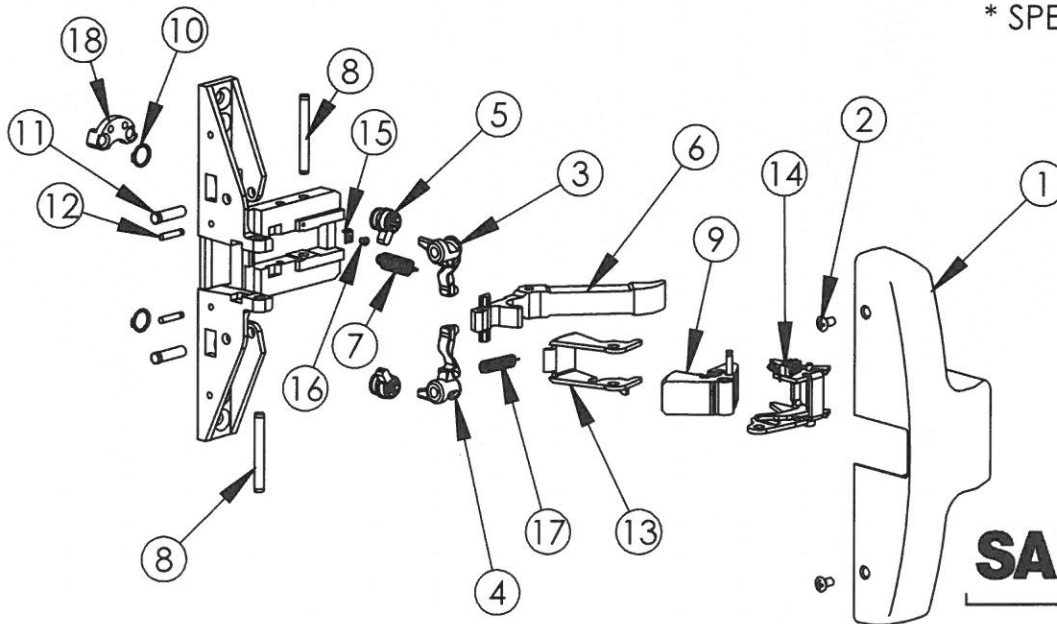
MANUFACTURED
AFTER 12-07-09

PARTS LIST

PAGE No. 85.4
REV. A

ITEM No.	ASSY No.	PART No.	DESCRIPTION	QTY
1		68-1020	COVER *	1
2		97-0052	SCREW #8-32 x 5/16 *	2
3		68-1625	LIFT LEVER RHRB	1
4		68-1626	LIFT LEVER LHRB	1
5		94-0088	CYLINDER HUB	2
6		68-1353	LIFT ARM (guarded)	1
7		98-0028	LATCH BOLT SPRING	1
8		01-4512	SPIROL PIN	2
9	68-5881 (AL-/GL-)	68-4415	GUARDED LATCH BOLT	1
10		01-0005	RETAINING RING	2
11	68-5882 (53-/59-)	68-0479	LIFT LEVER PIVOT PIN	2
12		01-0008	GROOV PIN	2
13		68-1352	GUIDE	1
14		68-5947	GUARD BRACKET (USE FOR 68-5881 ONLY)	1
		68-5949	GUARD BRACKET & SWITCH ASSEMBLY (USE FOR 68-5882 ONLY)	
15		52-0310	CABLE CLAMP	1
16		01-1482	CR-PHMS #2-56x0.125	1
17		68-1394	EXTENSION SPRING	1
18		13-0458	CYLINDER RETAINER PACK 04 & 44 FUNCTIONS ONLY	1
		657	STRIKE PACK	
		68-2512	SCREW PACK	

* SPECIFY FINISH



© SARGENT Manufacturing Company. All Rights reserved.

SARGENT
ASSA ABLOY