

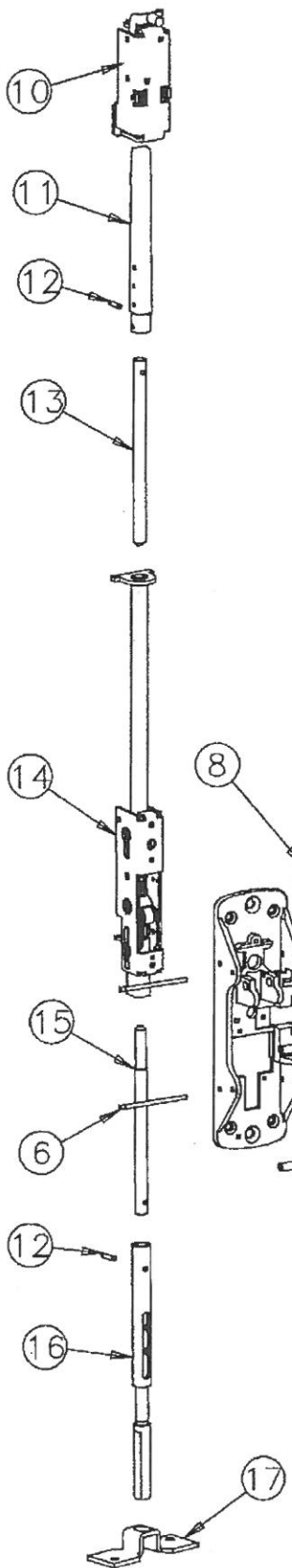
8 series
Parts List

MD8606 MD8610
MD8613 MD8615
MD8640 MD8643
MD8646 MD8673
MD8674

Parts List
Page No 86.1
Rev C
12/31/2004

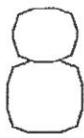
CHASSIS ASSEMBLY
LESS COVER

MD8600	ALL FUNCTIONS	LHRB RHRB	68-5068 68-5069
--------	---------------	--------------	--------------------



ITEM	ASSY NO.	PART NO.	DESCRIPTION	QTY
1		68-0407	COVER*	1
2		97-0052	SCREW* #8-32 x 5/16	4
3		68-0011	MAIN SLIDE	1
4	68-5068 LH 68-5069 RH	68-0012	ROLLER (MAIN SLIDE)	2
5		68-0324	LIFT LEVER PIVOT PIN	1
6		68-0323	CHASSIS PIN	2
7		68-0241	LIFT ARM	1
8		01-4512	SPIROL PIN (LIFT ARM)	1
9		68-1503	LIFT LEVER	1
10	68-7058	68-5374	TOP CASE ASSY STANDARD	1
		68-5375	TOP CASE ASSY 1/4" PANEL	
		68-5376	TOP CASE ASSY 1/2" PANEL	
11		68-4840	TOP BOLT ASSY	1
12		01-0696	SPIROL PIN	1
13		68-0044	TOP ROD (SPECIFY DOOR SIZE X CROSSBAR HEIGHT)	1
14	94-2008	---	INNER CASE ASSY	1
15		68-0045	BOTTOM ROD (SPECIFY W/WO THRESHOLD AND CROSSBAR HEIGHT)	1
12	68-7059	01-0696	SPIROL PIN	1
16		---	BOTTOM BOLT ASSY	1
17		68-0888	BOTTOM PLATE	1
-		606	BOTTOM STRIKE PACK	1
-		68-3677	SCREW PACK	1
-		650	TOP STRIKE PACK	1

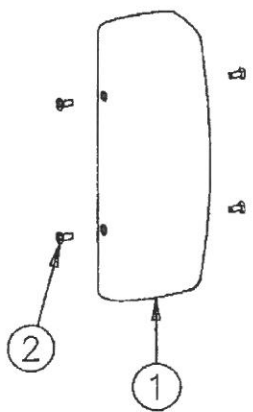
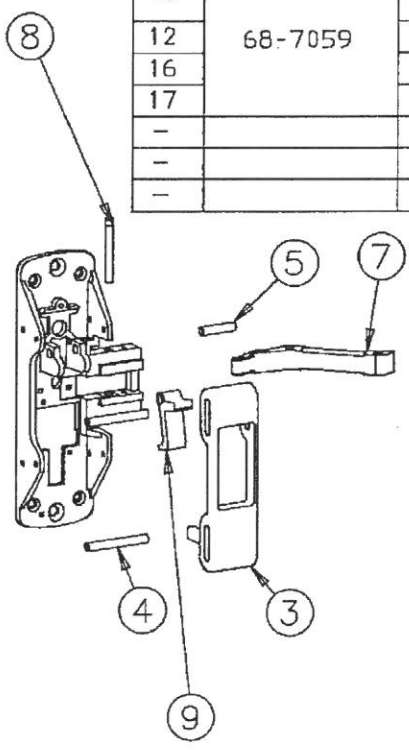
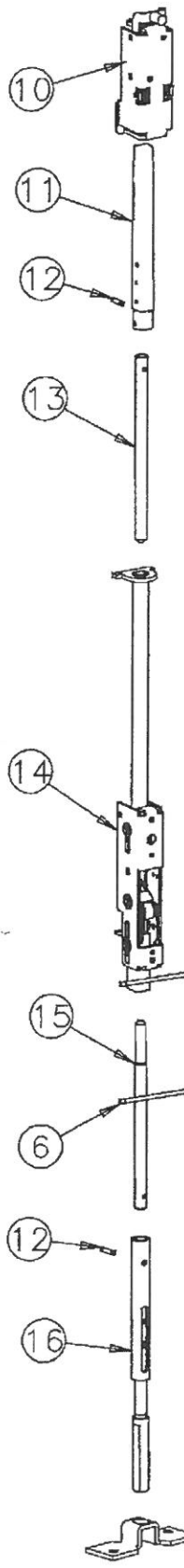
* SPECIFY FINISH


 series
 Parts List

12-MD8606 12-MD8610
 12-MD8613 12-MD8615
 12-MD8640 12-MD8643
 12-MD8646 12-MD8673
 12-MD8674

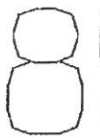
Parts List
 Page No 86.2
 Rev C
 12/31/2004

CHASSIS ASSEMBLY
 LESS COVER
 12-MD8600 ALL FUNCTIONS LHRB RHRB 68-5068 68-5069



ITEM	ASSY NO.	PART NO.	DESCRIPTION	QTY
1		68-0407	COVER*	1
2		97-0052	SCREW* #8-32 X 5/16	4
3		68-0011	MAIN SLIDE	1
4	68-5068 LH 68-5069 RH	68-0012	ROLLER (MAIN SLIDE)	2
5		68-0324	LIFT LEVER PIVOT PIN	1
6		68-0323	CHASSIS PIN	2
7		68-0241	LIFT ARM	1
8		68-0239	PIVOT PIN (LIFT ARM)	1
9		68-1503	LIFT LEVER	1
10	68-7058	68-5374	TOP CASE ASSY STANDARD	1
		68-5375	TOP CASE ASSY 1/4" PANEL	
		68-5376	TOP CASE ASSY 1/2" PANEL	
11		68-4840	TOP BOLT ASSY	1
12		01-0696	SPIROL PIN	1
13		68-0044	TOP ROD (SPECIFY DOOR SIZE X CROSSBAR HEIGHT)	1
14	68-3627	---	INNER CASE ASSY	1
15	68-7059	68-0045	BOTTOM ROD (SPECIFY W/WO THRESHOLD AND CROSSBAR HEIGHT)	1
16		01-0696	SPIROL PIN	1
17		---	BOTTOM BOLT ASSY	1
-		68-0888	BOTTOM PLATE	1
-		606	BOTTOM STRIKE PACK	1
-		68-3677	SCREW PACK	1
-		650	TOP STRIKE PACK	1

* SPECIFY FINISH

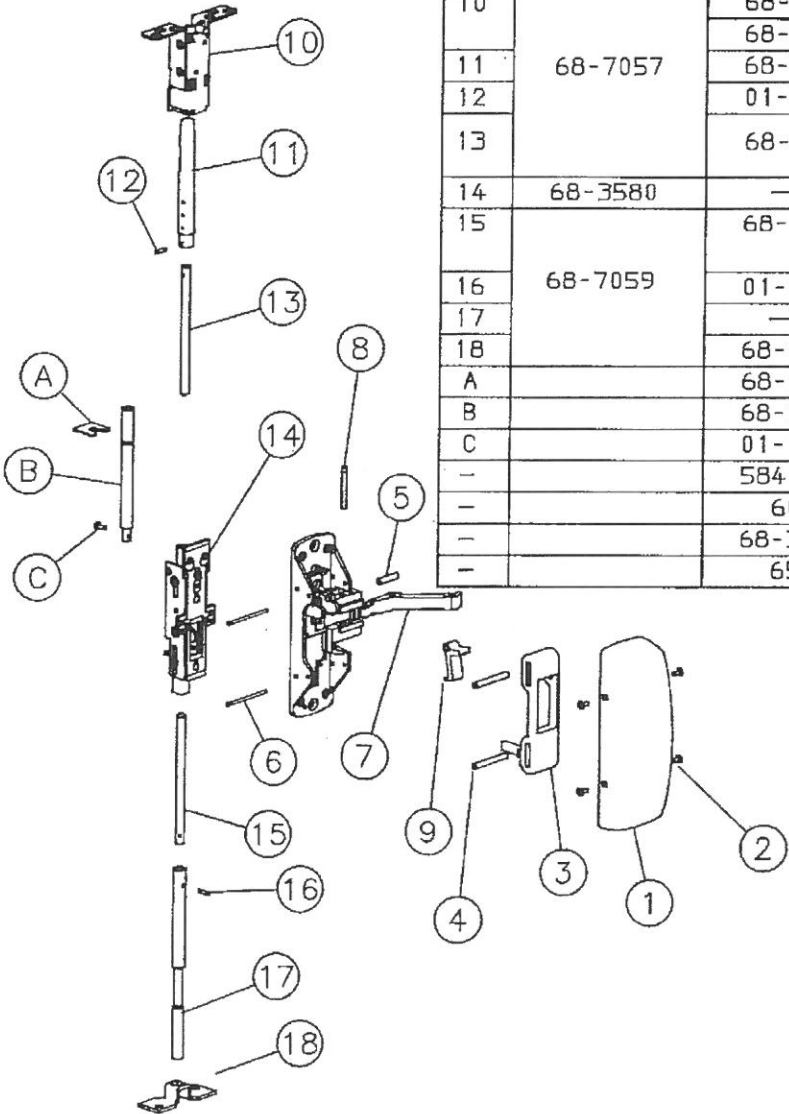

 8 series
 Parts List
 (12-)WD8606 (12-)WD8610
 (12-)WD8613 (12-)WD8615
 (12-)WD8640 (12-)WD8643
 (12-)WD8646 (12-)WD8673
 (12-)WD8674

Parts List
 Page No 86.3
 Rev E
 12/31/2004

CHASSIS ASSEMBLY
LESS COVER

WD8600	ALL FUNCTIONS	LHRB	68-5068
		RHRB	68-5069

ITEM	ASSY NO.	PART NO.	DESCRIPTION	QTY
1		68-0407	COVER*	1
2		97-0052	SCREW* #8-32 X 5/16	4
3		68-0011	MAIN SLIDE	1
4		68-0012	ROLLER (MAIN SLIDE)	2
5	68-5068 LH	68-0324	LIFT LEVER PIVOT PIN	1
6	68-5069 RH	68-0323	CHASSIS PIN	2
7		68-0241	LIFT ARM	1
8		68-0239	PIVOT PIN (LIFT ARM)	1
9		68-1503	LIFT LEVER	1
10		68-5374	TOP CASE ASSY STANDARD	
		68-5375	TOP CASE ASSY 1/4" PANEL	1
		68-5376	TOP CASE ASSY 1/2" PANEL	
11	68-7057	68-4840	TOP BOLT ASSY	1
12		01-0696	SPIROL PIN	1
13		68-0044	TOP ROD (SPECIFY DOOR SIZE X CROSSBAR HEIGHT & TRIM)	1
14	68-3580	—	INNER CASE ASSY	1
15		68-0045	BOTTOM ROD (SPECIFY W/WO THRESHOLD AND CROSSBAR HEIGHT)	1
16	68-7059	01-0696	SPIROL PIN	1
17		—	BOTTOM BOLT ASSY	1
18		68-0888	BOTTOM PLATE	1
A		68-0917	AUXILIARY CONTROL PLATE	1
B		68-0918	EXTENSION ROD	1
C		01-1137	SCREW #8-32 X 7/16	1
-		584 KIT	TOP CASE MNT & HARDWARE	1
-		606	BOTTOM STRIKE PACK	1
-		68-3677	SCREW PACK	1
-		650	TOP STRIKE PACK	1



* SPECIFY FINISH

80 series Parts List

DISCONTINUED

8606 8610
8613 8615

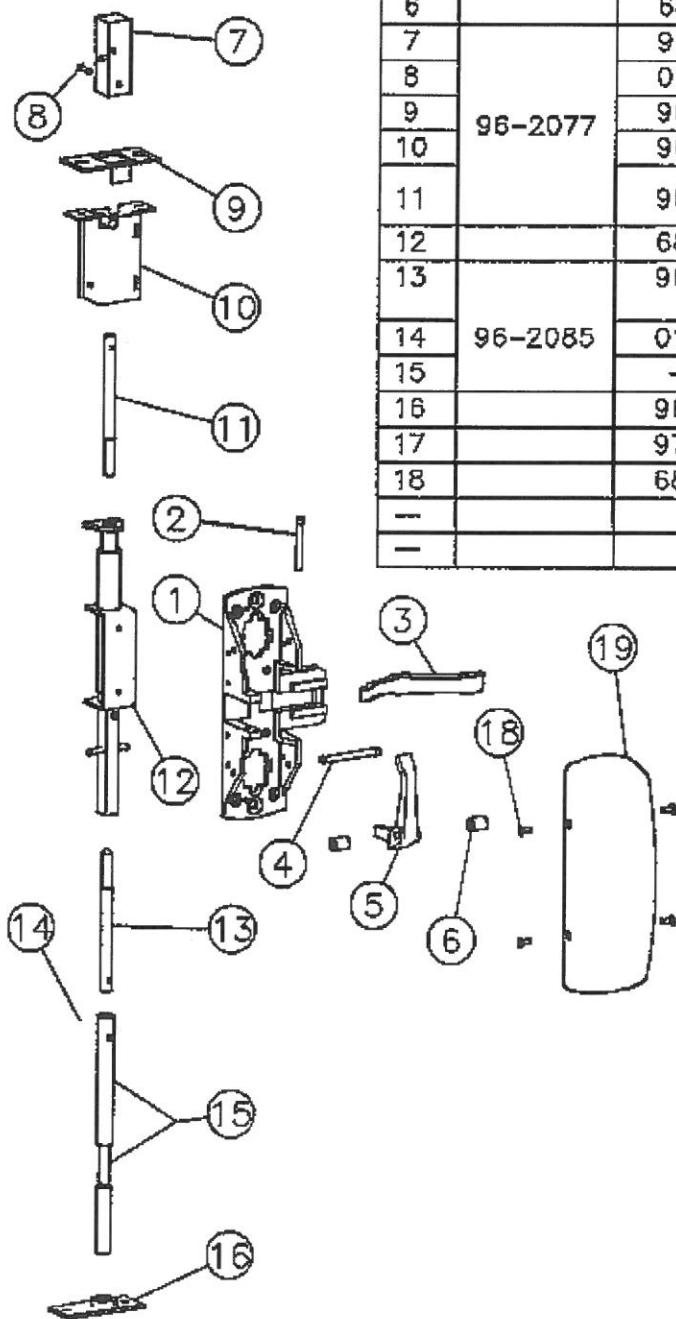
**PRODUCT DISCONTINUED
OCTOBER 01, 1997**

Parts List

Page No Rev
86.4 B

01/05/1999

ITEM	ASSY NO.	PART NO.	DESCRIPTION	QTY
1		—	CHASSIS	1
2		68-0239	PIVOT PIN	1
3		68-0241	LIFT ARM	1
4	68-2594	68-0271	PIVOT PIN	1
5		99-2035	LIFT LEVER LHRB	1
		99-2036	LIFT LEVER RHRB	
6		68-0273	BUSHING	2
7	96-2077	96-2035	TOP SLIDE SUB-ASSY	1
8		01-0697	SPIROL PIN	1
9		96-0064	TOP CASE PLATE	1
10		96-2031	TOP CASE SUB-ASSY	1
11		96-0101	TOP ROD (SPECIFY DOOR SIZE AND CROSS BAR HEIGHT)	1
12		68-2572	INNER CHASSIS	1
13		96-0088	BOTTOM ROD (SPECIFY CROSS BAR HEIGHT AND W/WO THRESHOLD)	1
14	96-2085	01-0696	SPIROL PIN	1
15		—	BOTTOM BOLT ASSEMBLY	4
16		96-2032	BOTTOM PLATE ASSEMBLY	1
17		97-0052	COVER SCREW #8-32 X 5/16 *	4
18		68-0407	CHASSIS COVER *	1
—		606	BOTTOM STRIKE PACK	1
—		605	TOP STRIKE PACK	1



- * SPECIFY FINISH
- ▶ LIMITED REPLACEMENTS AVAILABLE
CALL TO CONFIRM AVAILABILITY.
- ▷ PART NO LONGER AVAILABLE

80 series Parts List

SP8606 SP8673 PP8643 PR8615
 SP8610 SP8674 PP8646 PR8640
 SP8613 PP8606 PP8673 PR8643
 SP8615 PP8610 PP8674 PR8646
 SP8640 PP8613 PR8606 PR8673
 SP8643 PP8615 PR8610 PR8674
 SP8646 PP8640 PR8613

Parts List

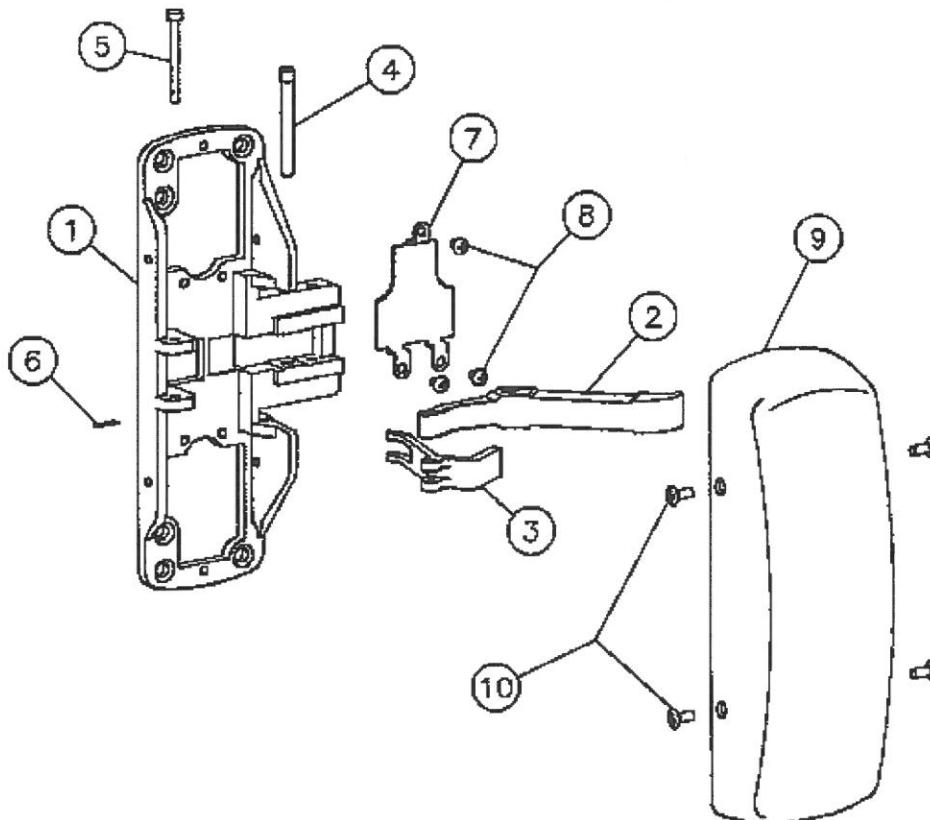
Page No 86.5 Rev A
 2/1/99

			CHASSIS ASSEMBLY
SP8600 PP8600 PR8600	ALL FUNCTIONS	LHRB RHRB	68-4182

NOTE: COMPATIBLE WITH 700-6 ET
 AND DUMMY TRIM ONLY.

ITEM	PART NO.	DESCRIPTION	QTY
1	68-1248	CHASSIS	1
2	68-1137	LIFT ARM	1
3	68-1290	CENTER LINK	1
4	68-0239	PIVOT PIN LIFT ARM	1
5	68-1182	PIVOT PIN CENTER LINK	1
6	98-0238	HAIR PIN	1
7	68-1255	ADJUSTMENT TUBE ACCESS COVER	1
8	01-3579	SCREW #6-32 X 3/16	3
9	68-0407	COVER *	1
10	97-0052	SCREW #8-32 X 5/16 *	4
	68-3677	SCREW PACK	1

* SPECIFY FINISH



80 series Parts List

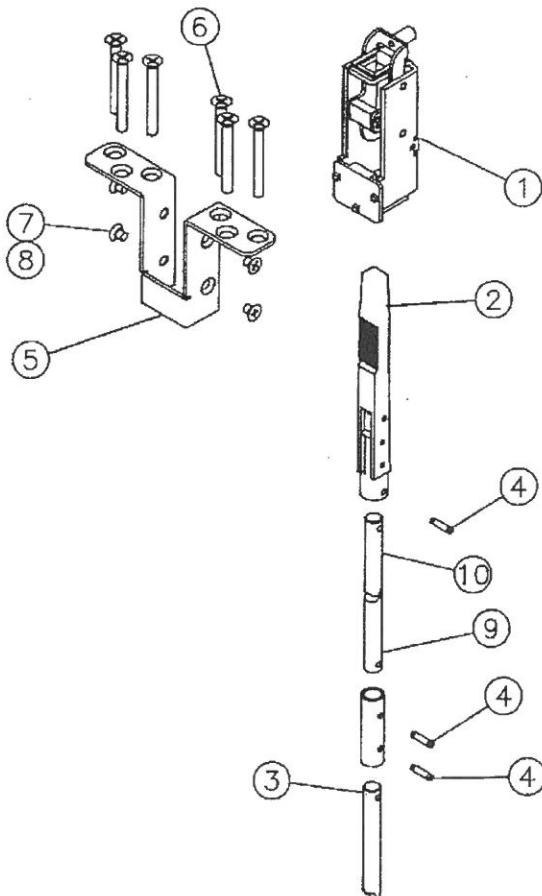
SP8606 SP8673 PP8643 PR8615
 SP8610 SP8674 PP8646 PR8640
 SP8613 PP8606 PP8673 PR8643
 SP8615 PP8610 PP8674 PR8646
 SP8640 PP8613 PR8606 PR8673
 SP8643 PP8615 PR8610 PR8674
 SP8646 PP8640 PR8613

Parts List

Page No 86.6
 Rev C

12/31/2004

ITEM	ASSY NO.	PART NO.	DESCRIPTION	QTY
1	68-7058	68-5374	TOP CASE ASSEMBLY (STANDARD)	1
		68-5375	TOP CASE ASSEMBLY (1/4" PANEL)	
		68-5376	TOP CASE ASSEMBLY (1/2" PANEL)	
2	68-7058	68-4840	TOP BOLT ASSEMBLY	1
3		68-0044	TOP ROD (SPECIFY DOOR SIZE X CROSSBAR HEIGHT)	1
4		01-0696	SPIROL PIN	1/3
5	584K KIT	—	WOOD DOOR BRACKET	1
6		01-2302	WOOD SCREW #12 X 2	6
7		01-1484	SCREW #10-24 X 1/4	4
8		01-0197	#10 COUNTERSUNK LOCK WASHER	4
9		68-1270	EXTENSION CONNECTOR (for doors over 96")	1
-		—	TOP ROD EXTENSION (SUPPLIED AUTOMATICLY FOR DOORS OVER 96")	1
-		68-3677	SCREW PACK	1
-		650	STRIKE PACK	1



NOTE: 584K KIT INCLUDES WOOD DOOR MOUNTING BRACKET AND MOUNTING SCREWS. THIS KIT MUST BE ORDERED SEPERATELY FOR WOOD DOOR APPLICATIONS.

80 series Parts List

SP8606 SP8646 PP8615
 SP8610 SP8673 PP8640
 SP8613 SP8674 PP8643
 SP8615 PP8606 PP8646
 SP8640 PP8610 PP8673
 SP8643 PP8613 PP8674

Parts List

Page No. REV.
 86.7 C

01/02/2000

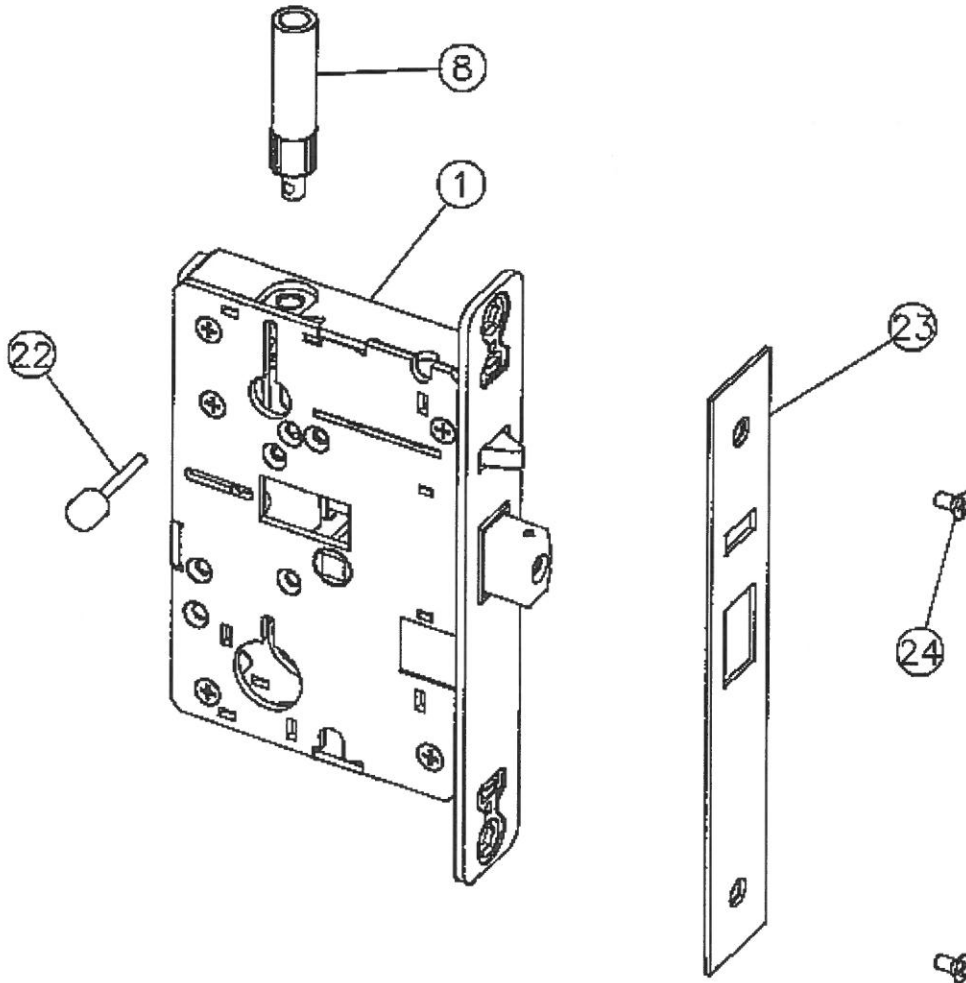
ACTIVE DOOR
 MORTISE CASE

SP8700 PP8700	ALL FUNCTIONS	LHRB RHRB	6B-4180
------------------	---------------	--------------	---------

NOTE: COMPATIBLE WITH 700-S EF
 AND DUMMY TRIM ONLY.

ITEM	PART NO.	DESCRIPTION	QTY
1	**	CASE ASSEMBLY	1
8	68-1245	ADJUSTMENT TUBE	1
22	68-1256	ADJUSTMENT TUBE PIN	1
23	68-11B6	ACTIVE OUTSIDE FRONT	1
24	01-1028	SCREW #8-32 X 1/4	2
-	77-4236	SCREW PACK	1
-	77-0883	STRIKE *	1

* STRIKE FOR USE WITH SP8600 ONLY



80 series
Parts List

PR8606 PR8643
PR8610 PR8646
PR8613 PR8673
PR8615 PR8674
PR8640

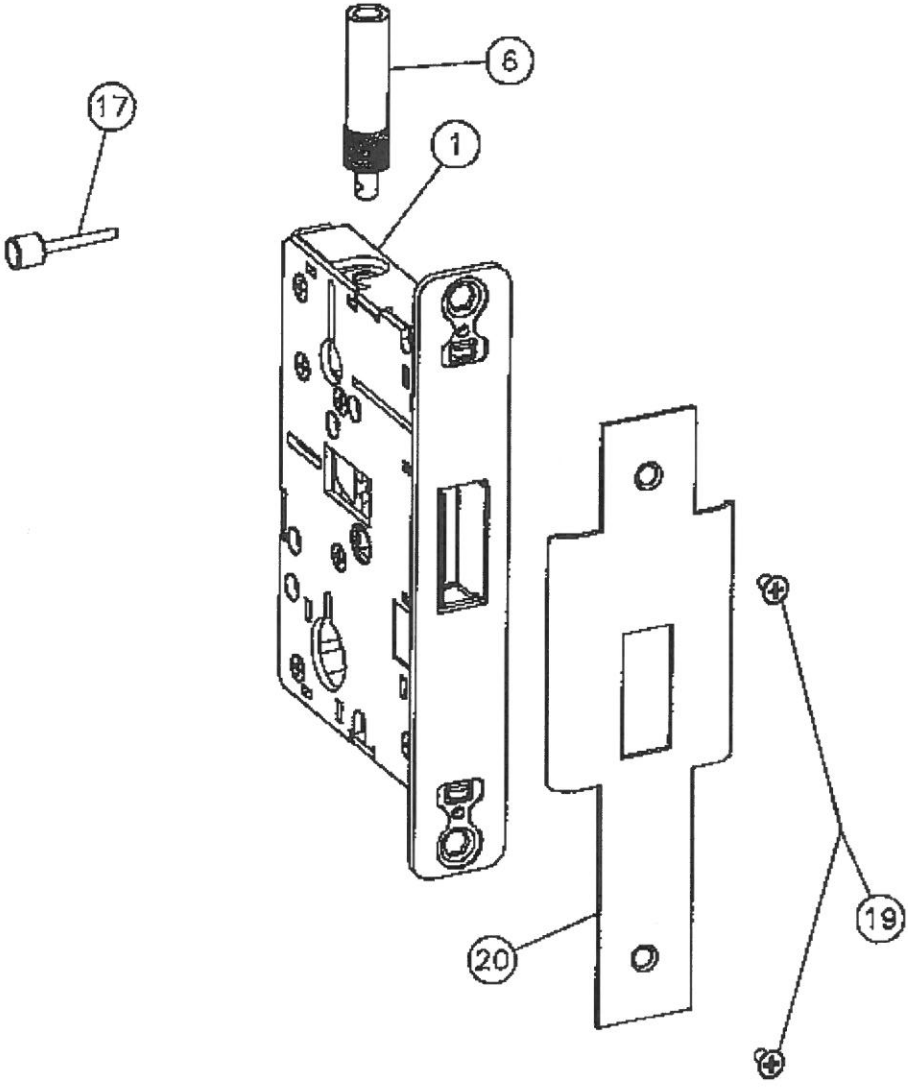
Parts List
Page No. REV.
86.8 B
3/14/2003

INACTIVE DOOR
MORTISE CASE

PR8600	ALL FUNCTIONS	LHRB RHRB	68-4181
--------	---------------	--------------	---------

ITEM	PART NO.	DESCRIPTION	QTY
1	68-4181	CASE ASSEMBLY	1
6	68-1245	ADJUSTMENT TUBE	1
17	68-1256	ADJUSTMENT TUBE PIN	1
19	01-1028	SCREW #8-32 x 1/4	2
20	68-1183	INACTIVE OUTSIDE FRONT	1
-	77-4236	SCREW PACK	1

NOTE: COMPATIBLE WITH 700-8 ET
AND DUMMY TRIM ONLY.



80 series Parts List

LP8606 LP8673 LRB643 L98615
 LP8610 LP8674 LRB646 LS8640
 LP8613 LRB606 LRB673 LS8643
 LP8615 LRB610 LRB674 L98646
 LP8640 LRB613 L98606 L98673
 LP8643 LRB615 L98610 L98674
 LP8646 LRB640 L98613

Parts List

Page No. REV.
 86.9 B

1/2/2001

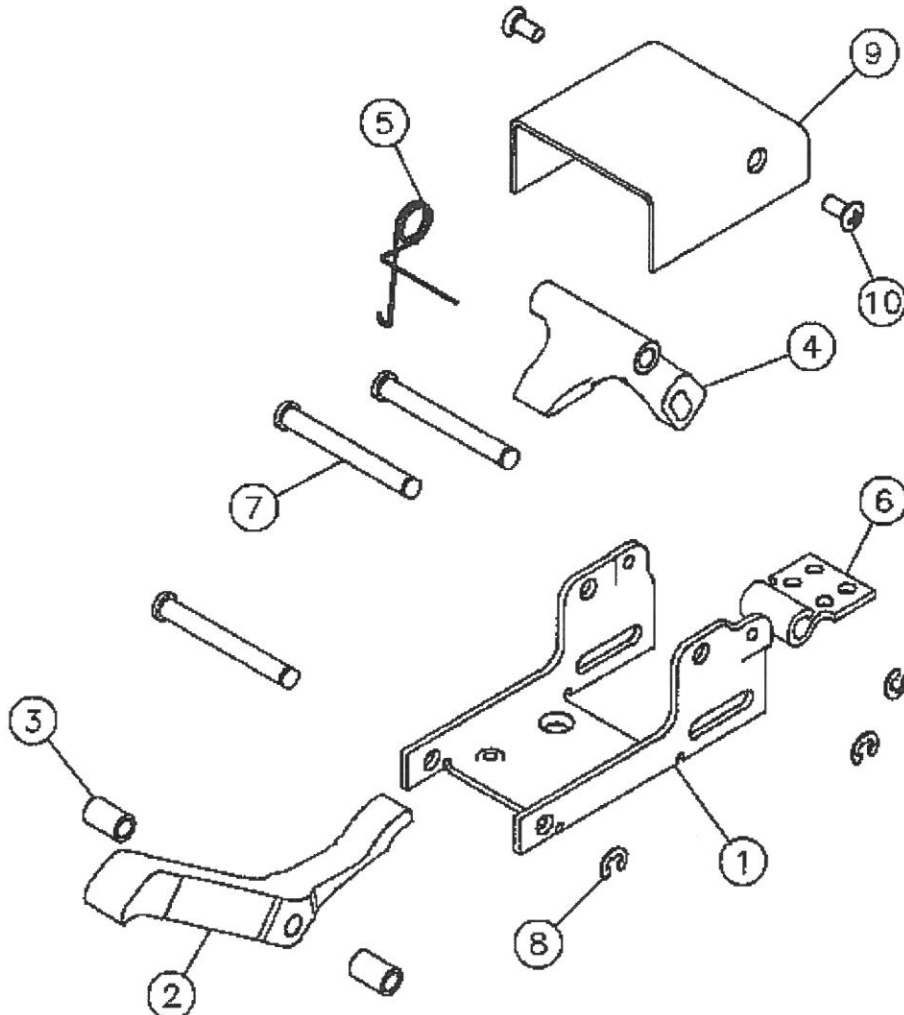
CHASSIS ASSEMBLY LESS COVER

LP8600 LR8600 L98600	ALL FUNCTIONS	LHRB RHRB	68-4264
----------------------------	---------------	--------------	---------

NOTE: FOR 12-APPLICATIONS,
 CHASSIS ASSEMBLY, 68-4264 (ITEMS 1-9)
 CAN ONLY BE ORDERED AS AN ASSEMBLY.

NOTE: COMPATIBLE WITH 700-6 ET
 AND DUMMY TRIM ONLY.

ITEM	PART NO.	DESCRIPTION	QTY
1	68-1310	CHASSIS	1
2	68-0241	LIFT ARM	1
3	68-1311	LIFT ARM BUSHING	2
4	68-1309	PULL LEVER	1
5	68-1332	PULL LEVER SPRING	1
6	68-1327	LINK CONNECTOR	1
7	68-1313	PIVOT PIN	3
8	01-4509	RETAINING RING	3
9	68-1317	COVER *	1
10	97-0052	SCREW #8-32 X 5/16 *	2
-	68-4373	SCREW PACK	1



80 series Parts List

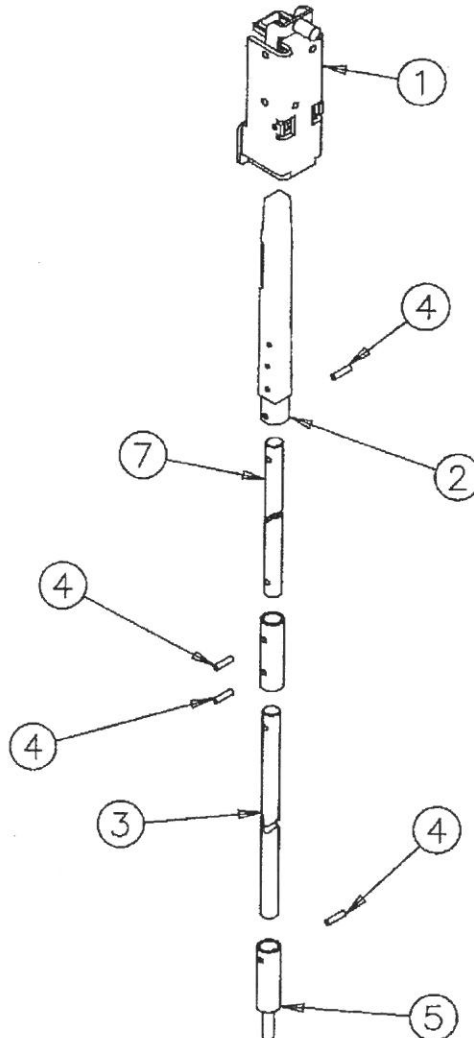
LS8606 LS8673 LP8643 LP8615
 LS8618 LS8674 LP8646 LR8640
 LS8613 LP8606 LP8673 LR8643
 LS8615 LP8610 LP8674 LR8646
 LS8640 LP8613 LR8606 LR8673
 LS8643 LP8615 LR8610 LR8674
 LS8646 LP8640 LR8613

Parts List

Page No 86.10
 Rev C

12/31/2004

ITEM	ASSY NO.	PART NO.	DESCRIPTION	QTY
1	68-5373	68-5374	TOP CASE ASSY STANDARD	1
		68-5375	TOP CASE ASSY 1/4" PANEL	
		68-5376	TOP CASE ASSY 1/2" PANEL	
2		68-4840	LATCHBOLT ASSY	1
3		68-0046	TOP ROD (SPECIFY DOOR SIZE x CROSSBAR HEIGHT)	1
4		01-0696	SPIROL PIN	2/4
5		68-1339	ADJUSTMENT TUBE	1
6		68-1270	EXTENSION CONNECTOR (FOR DOORS OVER 96")	1
7		—	TOP ROD EXTENSION (SUPPLIED AUTOMATICALLY FOR DOORS OVER 96")	1
—		68-3677	SCREW PACK	1
—		650	STRIKE PACK	1



80 series Parts List

LP8606 LP8646 LS8615
 LP8610 LP8673 LS8640
 LP8613 LP8674 LS8643
 LP8615 LS8606 L98646
 LP8640 LS8610 L98673
 LP8643 LS8613 L98674

Parts List

Page No. REV.
 86.11 A

8/6/99

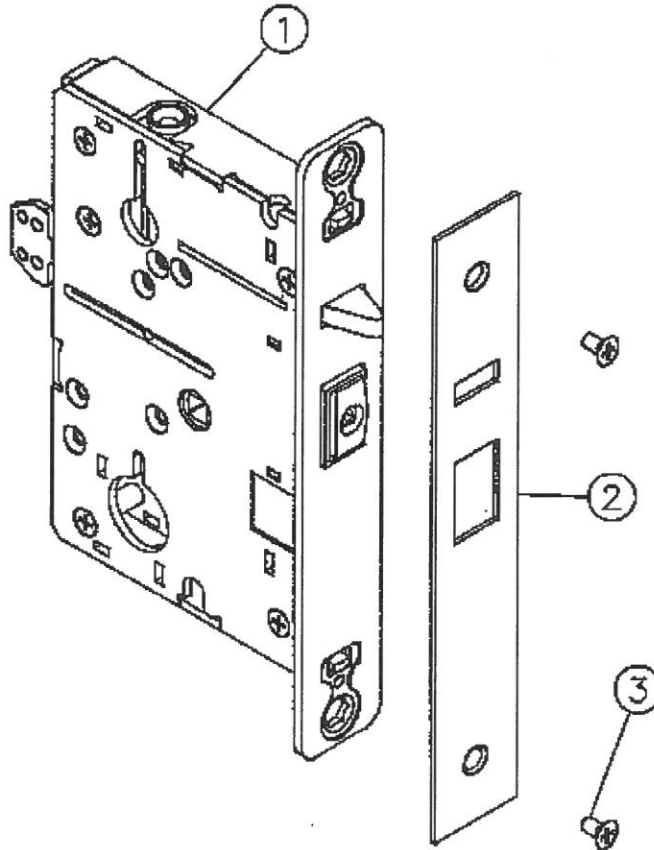
ACTIVE DOOR
 MORTISE CASE

LP860D LS8600	ALL FUNCTIONS	LHRB RHRB	68-4239
------------------	---------------	--------------	---------

ITEM	PART NO.	DESCRIPTION	QTY
1	68-4239	CASE ASSEMBLY	1
2	68-1186	ACTIVE OUTSIDE FRONT	1
3	01-1028	SCREW #8-32 X 1/4	2
-	77-4236	SCREW PACK	1
-	C7710	STRIKE *	1

NOTE: COMPATIBLE WITH 700-6 ET
 AND DUMMY TRIM ONLY.

* STRIKE FOR USE WITH LS8600 ONLY.
 SPECIFY 32D AND HAND



8 series Parts List

LR8606 LR8615 LR8646
LR8610 LR8640 LR8673
LR8613 LR8643 LR8674

Parts List

Page No. REV.
86.12 A

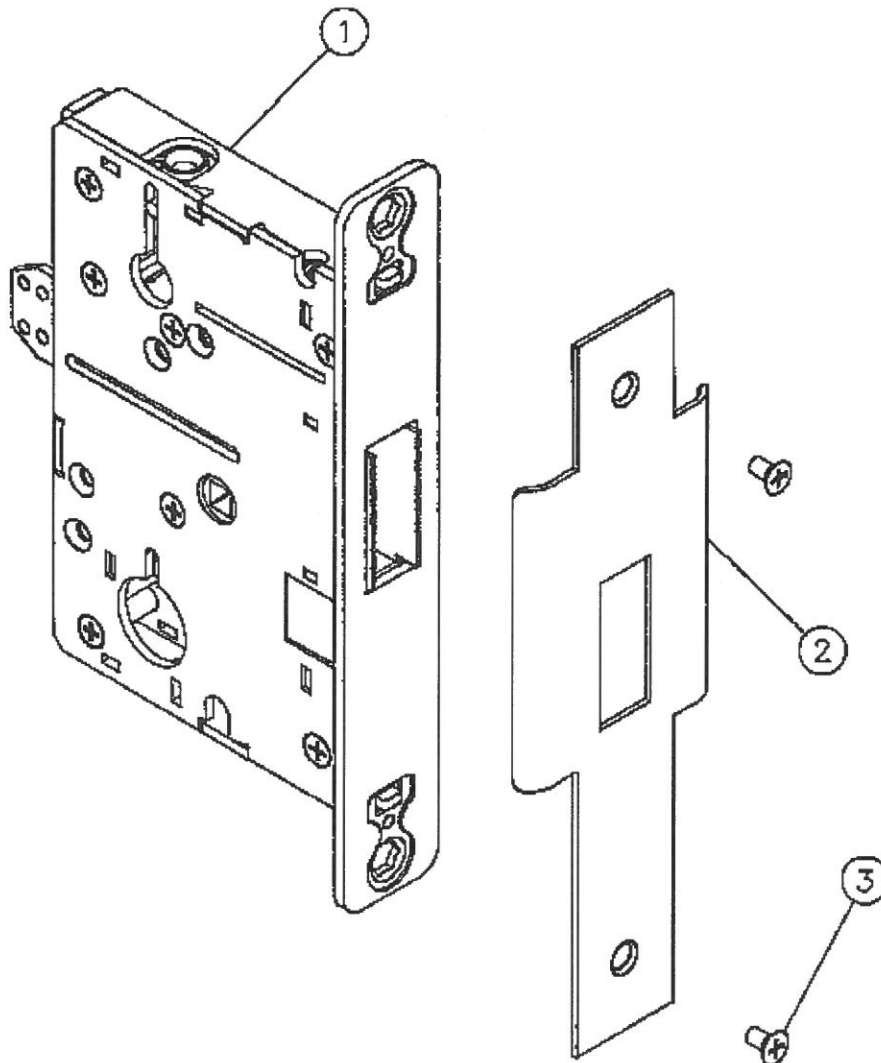
8/6/99

ACTIVE DOOR
MORTISE CASE

LR8600	ALL FUNCTIONS	LHRB RHRB	68-4238
--------	---------------	--------------	---------

NOTE: COMPATIBLE WITH 700-6 ET
AND DUMMY TRIM ONLY.

ITEM	PART NO.	DESCRIPTION	QTY
1	68-4238	CASE ASSEMBLY	1
2	68-1183	INACTIVE OUTSIDE FRONT	1
3	01-1028	SCREW #8-32 X 1/4	2
-	77-4236	SCREW PACK	1





series
Parts List

(12-)NB-WD8606 (12-)NB-WD8610
 (12-)NB-WD8613 (12-)NB-WD8615
 (12-)NB-WD8640 (12-)NB-WD8643
 (12-)NB-WD8646 (12-)NB-WD8673
 (12-)NB-WD8674

Parts List

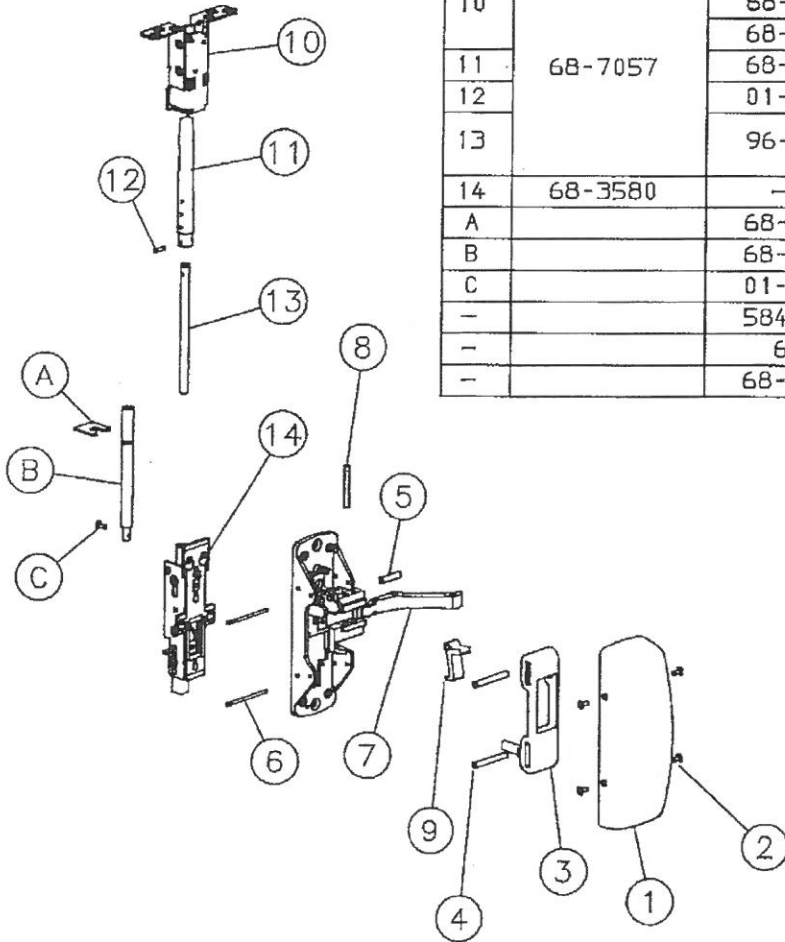
Page No 86.13
 Rev A

12/31/2004

CHASSIS ASSEMBLY
 LESS COVER

WD8600	ALL FUNCTIONS	LHRB RHRB	68-5068 68-5069
--------	---------------	--------------	--------------------

ITEM	ASSY NO.	PART NO.	DESCRIPTION	QTY
1		68-0407	COVER*	1
2		97-0052	SCREW* #8-32 X 5/16	4
3		68-0011	MAIN SLIDE	1
4		68-0012	ROLLER (MAIN SLIDE)	2
5	68-5068 LH	68-0324	LIFT LEVER PIVOT PIN	1
6	68-5069 RH	68-0323	CHASSIS PIN	2
7		68-0241	LIFT ARM	1
8		01-4512	SPIROL PIN (LIFT ARM)	1
9		68-1503	LIFT LEVER	1
10		68-5374	TOP CASE ASSY STANDARD	1
		68-5375	TOP CASE ASSY 1/4" PANEL	
		68-5375	TOP CASE ASSY 1/2" PANEL	
11	68-7057	68-4840	TOP BOLT ASSY	1
12		01-0696	SPIROL PIN	1
13		96-0044	TOP ROD (SPECIFY DOOR SIZE X CROSSBAR HEIGHT & TRIM)	1
14	68-3580	—	INNER CASE ASSY	1
A		68-0917	AUXILIARY CONTROL PLATE	1
B		68-0918	EXTENSION ROD	1
C		01-1137	SCREW #8-32 X 7/16	1
—		584 KIT	TOP CASE MNT & HARDWARE	1
—		650	TOP STRIKE PACK	1
—		68-3677	SCREW PACK	1



* SPECIFY FINISH

series
Parts List

NB-MD8606 NB-MD8610
 NB-MD8613 NB-MD8615
 NB-MD8640 NB-MD8643
 NB-MD8646 NB-MD8673
 NB-MD8674

Parts List

Page No 86.14
 Rev A

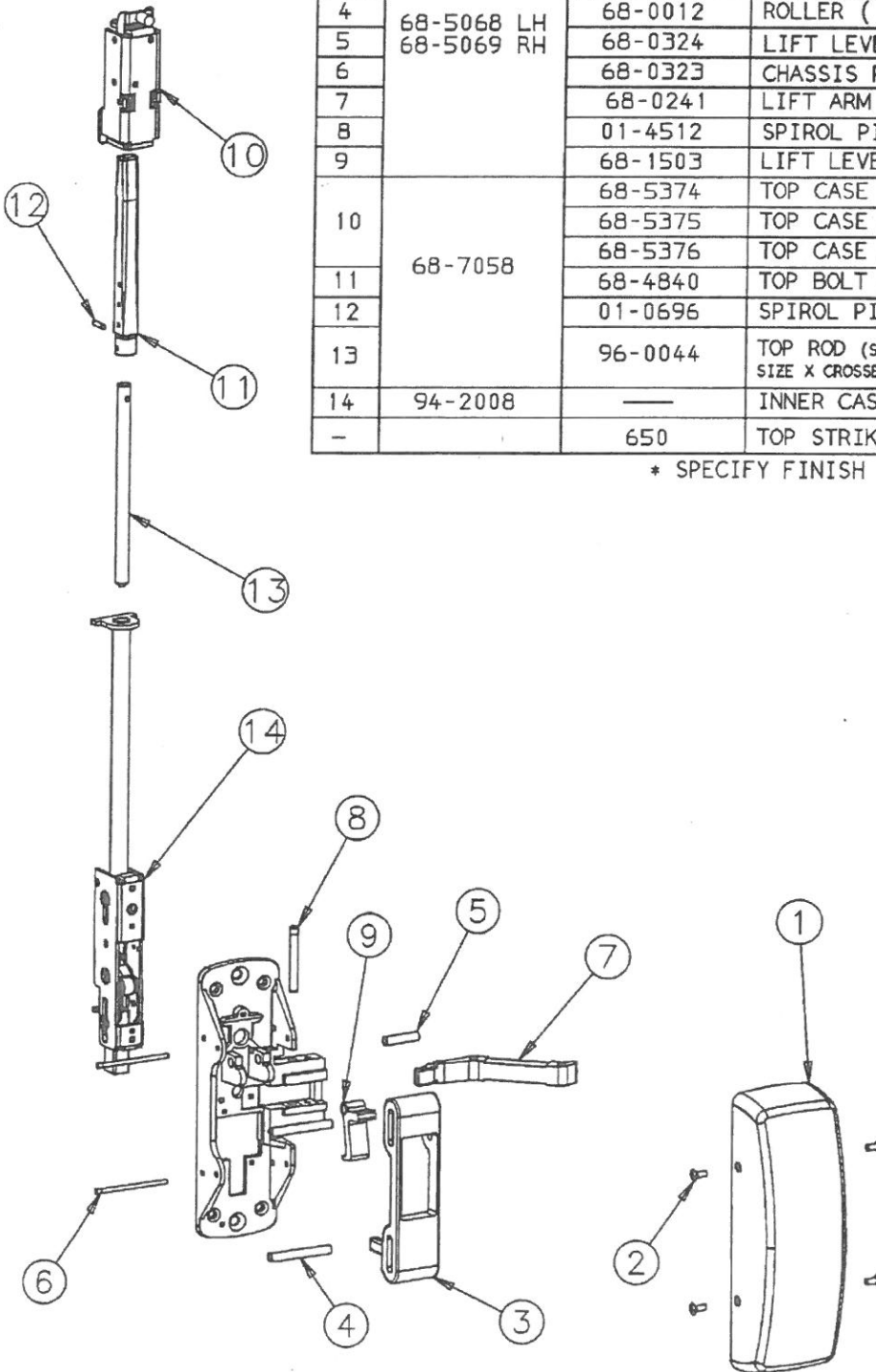
12/31/2004

CHASSIS ASSEMBLY
 LESS COVER

NB-MD8600 ALL FUNCTIONS LHRB 68-5068
 RHRB 68-5069

ITEM	ASSY NO.	PART NO.	DESCRIPTION	QTY
1		68-0407	COVER*	1
2		97-0052	SCREW* #8-32 x 5/16	4
3		68-0011	MAIN SLIDE	1
4		68-0012	ROLLER (MAIN SLIDE)	2
5	68-5068 LH 68-5069 RH	68-0324	LIFT LEVER PIVOT PIN	1
6		68-0323	CHASSIS PIN	2
7		68-0241	LIFT ARM	1
8		01-4512	SPIROL PIN (LIFT ARM)	1
9		68-1503	LIFT LEVER	1
10		68-5374	TOP CASE ASSY STANDARD	1
		68-5375	TOP CASE ASSY 1/4" PANEL	
		68-5376	TOP CASE ASSY 1/2" PANEL	
11	68-7058	68-4840	TOP BOLT ASSY	1
12		01-0696	SPIROL PIN	1
13		96-0044	TOP ROD (SPECIFY DOOR SIZE X CROSSBAR HEIGHT)	1
14	94-2008	—	INNER CASE ASSY	1
-		650	TOP STRIKE PACK	1

* SPECIFY FINISH



series
Parts List

12-NB-MD8606 12-NB-MD8610
12-NB-MD8613 12-NB-MD8615
12-NB-MD8640 12-NB-MD8643
12-NB-MD8646 12-NB-MD8673
12-NB-MD8674

Parts List

Page No 86.15
Rev A

12/31/2004

CHASSIS ASSEMBLY
LESS COVER

12-NB-MD8600 ALL FUNCTIONS

LHRB
RHRB

68-5068
68-5069

ITEM	ASSY NO.	PART NO.	DESCRIPTION	QTY
1		68-0407	COVER*	1
2		97-0052	SCREW* #8-32 X 5/16	4
3		68-0011	MAIN SLIDE	1
4	68-5068 LH 68-5069 RH	68-0012	ROLLER (MAIN SLIDE)	2
5		68-0324	LIFT LEVER PIVOT PIN	1
6		68-0323	CHASSIS PIN	2
7		68-0241	LIFT ARM	1
8		01-4512	SPIROL PIN (LIFT ARM)	1
9		68-1503	LIFT LEVER	1
10	68-7058	68-5374	TOP CASE ASSY STANDARD	1
		68-5375	TOP CASE ASSY 1/4" PANEL	
		68-5376	TOP CASE ASSY 1/2" PANEL	
11		68-4840	TOP BOLT ASSY	1
12		01-0696	SPIROL PIN	2
13		96-0044	TOP ROD (SPECIFY DOOR SIZE X CROSSBAR HEIGHT)	1
14	68-3627	—	INNER CASE ASSY	1
-		68-3677	SCREW PACK	1
-		650	TOP STRIKE PACK	1

* SPECIFY FINISH

