

351 Series

Powerglide® Door Closer



Table of Contents

351 Series Powerglide®

General Information	3
Features and Benefits.	4
Suggested Architect's Specifications	5
Standard Applications	6
Arms and Accessories for Standard Applications	7
Top Jamb Applications.	8
Arms for Top Jamb Applications	9
Parallel Arm Applications.	10
Heavy Duty Parallel Arms.	11
Regular Duty Parallel Arms	12
Accessories for Parallel Applications	13
Track Type Applications	14
Double Egress Applications.	15
Pocket Door Applications	16
Overhead Stop/Holder Compatibility	17
How to Order and Options	18
Finishes.	19

The 351 Powerglide® line of surface door closers has been engineered to meet the demands of architects and building owners. The 351 Series is a complete line of closers for interior and exterior doors with quality and flexibility to meet virtually every application.

Primary Closer Arm Identification Letters

O	Standard Arm
H	Hold Open Arm
Z	Deep Reveal Arm 2-1/8" – 5"
ZA	Extra Deep Reveal Arm 5-1/8" – 8"
P	Parallel Arm or Push Side
S	Arm with Positive Stop
C	Arm with Positive Cushioned Stop "C" is always accompanied by an "S" (Stop)

Note: Often more than one letter is used to describe one type of arm

Underwriters' Laboratories Listing

All SARGENT Powerglide® Door Closers are listed by the Underwriters' Laboratories, Inc. as follows:

"For Self-Closing Doors Without Hold-Open Feature"

Any retrofit or other field modification to a fire rated opening can potentially impact the fire rating of the opening, and Sargent Manufacturing Company makes no representations or warranties concerning what such impact may be in any specific situation. When retrofitting any portion of an existing fire rated opening, or specifying and installing a new fire-rated opening, please consult with a code specialist or local code official (Authority Having Jurisdiction) to ensure compliance with all applicable codes and ratings.



On The Cover

- SARGENT 351 Door Closer with an O arm

General Information

351 Series Powerglide®

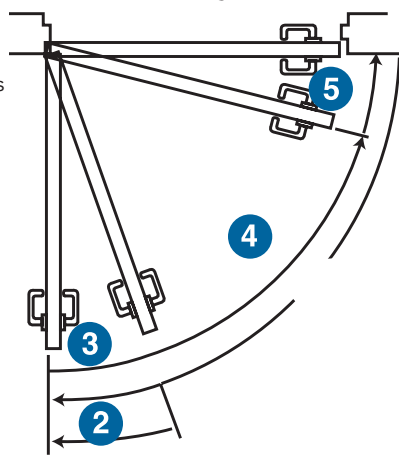
1 Closer Spring Adjustment (not shown)

- Effects the entire cycle of the door closer movement
- Used to size closer for application requirements
- Determines the amount of force with which the door closes and the amount of force required to open the door
- Adjustable to compensate for door size and draft conditions

2 Backcheck valve

- At approximately 70° of the open cycle, the Backcheck Valve begins to slow the door's motion
- Prevents the door from slamming into the door's stop
- Valve is used to control the intensity of the Backcheck
- **Note:** A Positive stop is required; Backcheck cannot be used as a stop

Door Closer Cycle



3 Delayed action valve (Optional)

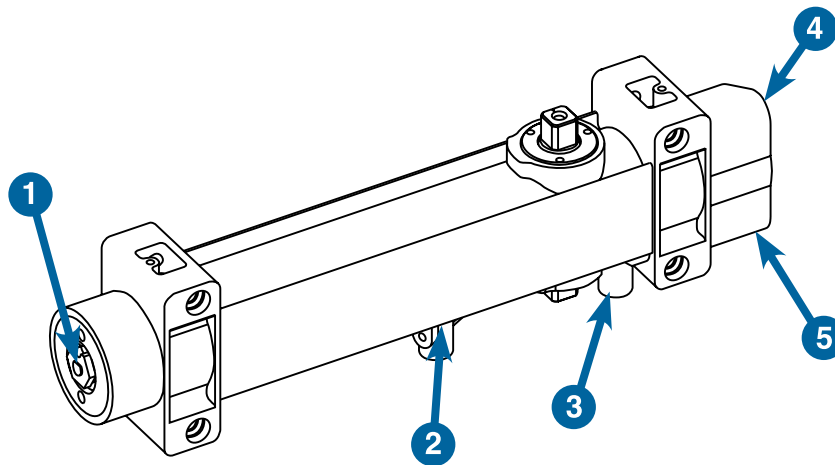
- Holds the door in the open position momentarily
- 20 second minimum hold open delay
- The feature is available for all applications and arms
- Beneficial when moving carts or objects through door opening or ADA applications

4 Latching speed valve

- Controls the speed of the door during the final 8" of door swing
- The force the door closes with is controlled by the closer spring
- **Note:** This adjustment is critical for door latching

5 Closing speed valve

- Controls how fast the door closes to approximately 8" from the closed position, along with the closer spring



ANSI Standards

ARM	TYPE	ARM	TYPE
O	CO2011	PF9	CO2101
P9	CO2021	P10	CO2021
H	CO2051	PS/CPS	CO2021
PH9	CO2061	CPSH/PSH	CO2061

All are certified ANSI types including options PT4 A, B, D, E, F, G, H

How to Select the Proper Closer

Things to Consider

1. Size and Weight of Door

The 351 Door Closers is non-sized so that closing force can be adjusted in the field to accommodate various door sizes and weights.

2. Interior Application

The standard application is the most efficient in terms of power and control.

3. Exterior Application

The top jamb, corner bracket or parallel arm application should be used. Exterior doors require greater closing forces because of draft conditions. Always place the closers out of the weather.

4. Degree of Opening

Proper arm and position on the door is most important to permit the door to open far enough to allow adequate traffic flow.

5. Function

Closers are available with hold-open or positive stop arms.

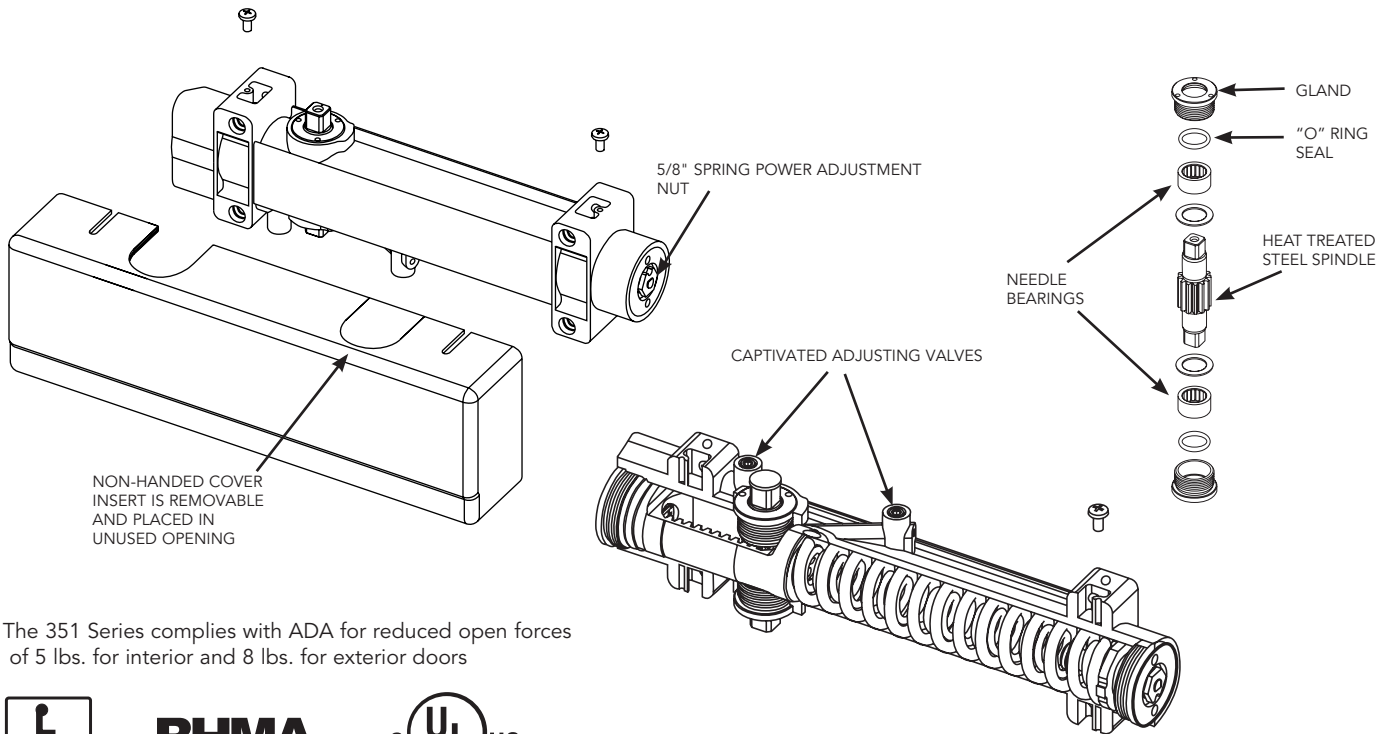
6. Special Condition

Consult factory when special hinges, overhead holders or other specialized hardware is used.

Features and Benefits

351 Series Powerglide®

SARGENT
ASSA ABLOY



The 351 Series complies with ADA for reduced open forces of 5 lbs. for interior and 8 lbs. for exterior doors



BHMA
CERTIFIED®



Features

- Certified ANSI/BHMA A156.4 Grade 1
- UL 10C listed for positive pressure fire test
- UL /cUL listed
- 30-year limited warranty
- User friendly versatile mounting applications permit standard, top jamb, parallel and track installations
- Self sticking templates supplied for most applications
- Adjustable spring power allows 351 closers a size range of 1 through 6. They are adjusted to size 3 before leaving the factory
- One door closer body for all applications. All 351 are non-handed
- Meets ADA requirements in all applications, except Push Side Track application (except track)
- High impact non-corrosive plastic covers with two machine screws standard, metal covers and lead lined are optional
- All weather fluid allows closer to operate effectively in extreme temperatures without readjustment
- 1-1/2" diameter piston for superior door control
- Standard pressure relief valves for both opening and closing cycles protect the door & frame from damage caused by abuse

Heavy Duty Construction

- Heat treated full closed rack and pinion provide control from the full open position
- Heavy duty one piece die cast aluminum silicon alloy body with 14% silicon provides superior strength and wear resistance
- 1/2" arm engagement over a 7/16 square spindle ensures a wear-resistant tight joint

Fasteners

- Machine Screws and self tapping screws provided for closer and arm

Valves

- Brass body low sensitivity control valves offer separate regulating for door speed, latching, backcheck and optional delayed action
- All valves are controlled by an 1/8" allen wrench to discourage tampering and are captivated to prevent removing valves from the body and damaging door closer
- Adjustable backcheck (standard) protects the door and hardware from damage during the opening cycle
- Adjustable delayed action (optional) permits easy access for physically impaired individuals
- Valves are captivated to prevent accidental removal

Full Complement of Arm Types

- Interchangeable forged steel arms
- Standard and parallel arms
- Push and pull track arms (including double egress)
- Heavy duty forged steel arms are finely finished and interchangeable between SARGENT 351, 1431 and 281 Series

Copyright © 2005-2023, SARGENT Manufacturing Company. All rights reserved. Reproduction in whole or in part without the express written permission of SARGENT Manufacturing Company is prohibited. Patent pending and/or patent www.assaabloydss.com/patents.

90120 08/23

Suggested Architect's Specifications

351 Series Powerglide®

351 Series Powerglide®

1. All closers for both interior and exterior doors shall be the product of one manufacturer and be matched in style.
2. Surface closers shall be adjustable to provide sizes 1 through 6 and comply with ADA.
3. Full rack and pinion construction.
4. Closing speed, latching speed and backcheck shall be controlled by key operated valves.
5. Captivated valves.
6. Delayed action feature shall be available and controlled by a separate valve. Delayed action shall be available in addition to, not in lieu of, backcheck.
7. The one piece closer body shall be of die cast aluminum alloy with 14% silicon minimum content.
8. An increase of 15% in closing power shall be provided by means of adjustment of the arm leverage at the foot connection. (Standard Arm)
9. All arms shall be finely finished with heavy duty forged steel main arm.
10. Two mounting positions of the closer shall meet all requirements. Standard mountings shall provide 120° door opening and alternate mounting 180° door opening.
11. All closers shall be suitable for standard, top jamb, parallel arm and track type applications when provided with proper brackets and arms.
12. Closer covers shall be of high impact plastic material of flame retardant grade. Secured by machine screws.
13. Projection of closer body from door shall not exceed 2-3/16" (56mm).
14. Closers shall be non-handed to meet a variety of door conditions and design requirements.
15. The spindle shaft shall be sealed hydraulically with an "O" ring.
16. Specify desired options such as: Metal Cover, (TB) Through Bolting, (DA) Delayed Action and Architectural Plated Finishes.
17. All closer bodies have a 30-year limited warranty.
18. Closers should comply with UL10C Positive Pressure Fire Test.
19. Closers to be Grade 1 of ANSI/BHMA A156.4.

The 351 door closer is designed to meet the opening force requirements established by the Americans with Disabilities Act defining 5 lbs. of opening force for interior and 8 lbs. for exterior doors. A special spring design affording easier access and allowing exterior door control is used. Where excessive draft and pressure conditions exist or when extra heavy doors are used, the spring should be adjusted for a stronger setting. Meeting ADA requirements can be achieved at all applications shown above with simple spring adjustment.

CAUTION: Door Closers for Low Opening Force Applications:

Door closers installed in openings required to meet the requirements of the Americans With Disabilities Act or ANSI/BHMA Standard A117.1, when adjusted to meet those requirements, may not provide adequate closing power to dependably close and latch the door based on opening or site conditions.

Standard Applications

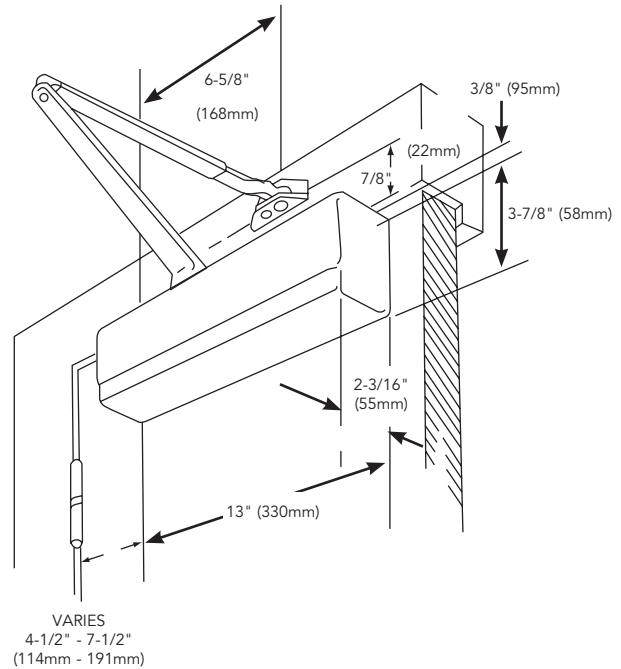
351 Series Powerglide®

SARGENT
ASSA ABLOY



The standard application of the 351 door closer is the most common and the most desirable. The closer mounts on the hinge (pull) side of door (except when the W Corner Bracket is used). **Note:** This application is not recommended on exterior doors (the closer is not protected from weather). The cover projection normally limits the door opening to a maximum of 160°.

351-0 Standard Application



Copyright © 2005-2023, SARGENT Manufacturing Company. All rights reserved. Reproduction in whole or in part without the express written permission of SARGENT Manufacturing Company is prohibited. Patent pending and/or patent www.assaabloydss.com/patents.

351 Standard Application for:

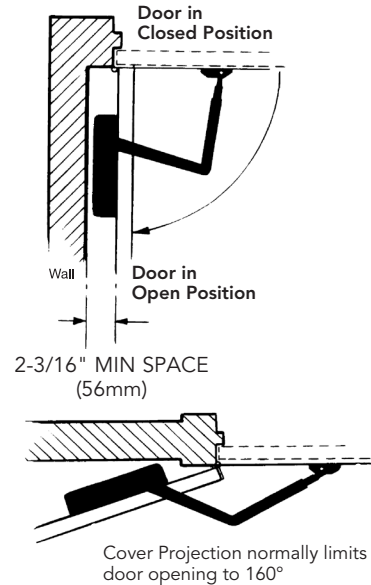
- Interior Doors Opening In or Out
- Exterior Doors Opening In
- Maximum Reveal 7/16"
- Non-hand universal body

351 Standard Application Door Opening Range

(Range based on Mounting Position)

- O- Standard Arm: 120° – 180°
- H- Hold Open Arm: 90° – 160°

Wall Clearance Requirement

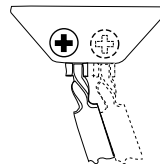


Adjustable Closing Force

- Interior doors to 5'0" wide
- Exterior doors to 4'0" wide
- Shipped factory preset for 3'0" door
- Factory pre-sized upon request

Arm Leverage Adjustment

Closers using "O" arms have the provision to increase closing power by 15% by adjusting foot pivot



Arms and Accessories for Standard Applications

351 Series Powerglide®

SARGENT
ASSA ABLOY

O - Standard Arm

- Forged Steel Main Arm
- Non-handed
- Permits 120° door opening with standard mounting
- Permits 180° door opening with alternate mounting or corner bracket
- Can be used with the 351L retrofit plate when replacing a LCN 4040 closer



Order as 25-O x finish for arm only
Includes: 63-2607 - Main arm
63-2216 - Foot assembly
63-3684 - Screw pack

H - Hold Open Arm

- Forged Steel Main Arm
- Non-handed
- Hand is changed by inverting the foot assembly
- Friction type holder easily adjusted by a wrench
- Permits 180° door opening
- Holds open from 80° – 180°



Order as 25-H x finish for arm only
Includes: 63-3070 - Main arm
61-2303 - Foot assembly
63-3684 - Screw pack

O8 - Mortise Foot Arm

- Forged Steel Main Arm
 - Non-handed
 - Permits 120° door opening
 - Commonly used with bull nose frames
- Order as 25-O8 x finish for arm only
Includes: 63-2607 - Main arm and link assembly
63-2273 - Foot assembly
63-2391 & 63-3684 - Screw packs



H8 - Mortise Foot Hold Open Arm

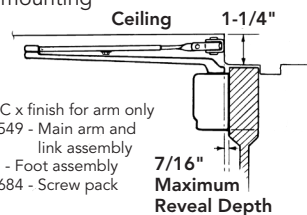
- Forged Steel Main Arm
- Handed same as door
- Friction type holder easily adjusted by a wrench
- Holds open from 80° – 180°



Order 25 R-H8 for right hand and 25 L-H8 for left hand x finish for arm only
Includes: 63-2289 - Left hand foot assembly
63-2290 - Right hand foot assembly
63-3070 - Main Arm and Link Assembly
63-2391 & 63-3684 - Screw packs

OLC - Standard Arm for Low Ceiling

- Forged Steel Main Arm
- Non-handed
- 1-1/4" between the top of door to ceiling is required for OLC Arm
- Permits 120° door opening with standard mounting



Order as 25-OLC x finish for arm only
Includes: 63-2549 - Main arm and link assembly
2216 - Foot assembly
63-3684 - Screw pack

UH Package

- Universal hold open arm package provides brackets and arms to install closer in top jamb, standard or parallel applications
- Order closer as 351-UH x finish
- 351-UH not available with (MC) metal cover or plated finishes



Screw packs
63-3684

125-PH9



UO Package

- Universal arm package provides brackets and arms to install closer in standard top jamb or parallel applications
- Order closer as 351-UO x finish
- 351-UO not available with (MC) metal cover or plated finishes



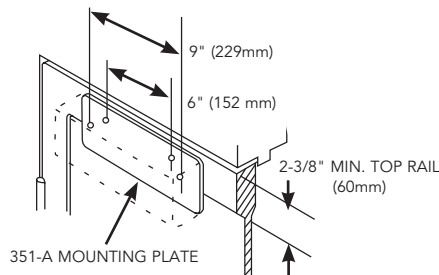
Screw packs
63-3684 &
63-2391

125-P9

351-A Mounting Plate

Allows the mounting of a 351 Closer onto a door with a minimum top rail of 2-3/8"

Order as: 351-A x finish



351-A MOUNTING PLATE

351- LCN Retrofit Plate

Allows an LCN 4040 closer body to be replaced with a SARGENT 351 with an O Arm without drilling new holes in door (NOTE: New holes required for arm bracket only)

Order as: 351L x finish



Top Jamb Applications

351 Series Powerglide®

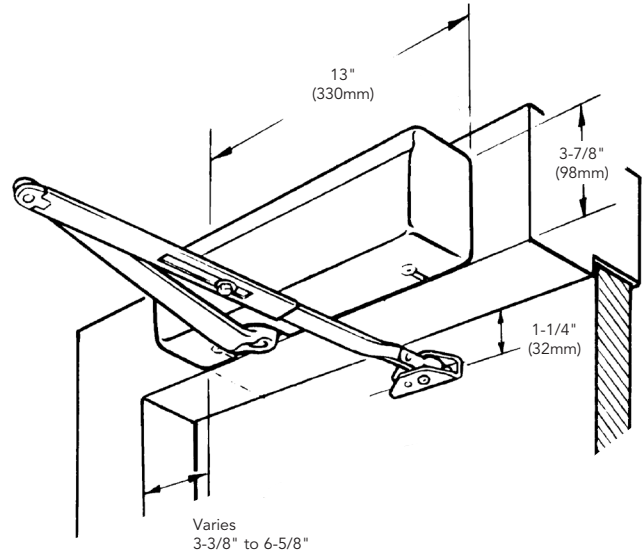
SARGENT
ASSA ABLOY



O ARM SHOWN

Top Jamb applications - The 351 closer is mounted on the frame face above the door. The foot is mounted on the push side of door. This application is for use on exterior doors opening out to protect the closer from the weather.

351-0 Top Jamb Mounting Position



Minimum Frame Face Required

- 3-7/8" minimum required for 351 Top Jamb applications for both single and double rabbeted frames

Minimum Door Top Rail Required to Mount Closer Foot

- 2" (51mm) minimum
- Rail height used will vary depending on type and make of auxiliary holder

Adjustable Closing Force

- Interior doors to 5'0" wide
- Exterior doors to 4'0" wide
- Shipped factory preset for 3'0" door
- Factory pre-sized upon request

351 Typical Reveal Top Jamb Applications

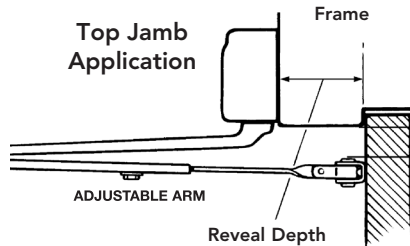
For reveals up to 2" (51mm) maximum

- O Arm - Max. Door Opening: 180°
- H Arm - Hold Open Range: 80° – 180°

351 Extra Deep Reveal Top Jamb Applications

For reveals from 5-1/8" (130mm) to 8" (230mm)

- OZA Arm - Max. Door Opening: 140°
- HZA Arm - Hold Open Range: 80° – 130°



351 Deep Reveal Top Jamb Applications

For reveals from 2-1/8" (54mm) to 5" (127mm)

- OZ Arm - Max. Door Opening: 140°
- HZ Arm - Hold Open Range: 80° – 140°

351-A & 351-B Mounting Plates

These Mounting Plates permits closers to be mounted for special applications when overhead auxiliary door holders are used or in low ceiling applications for both single and double rabbeted frames.

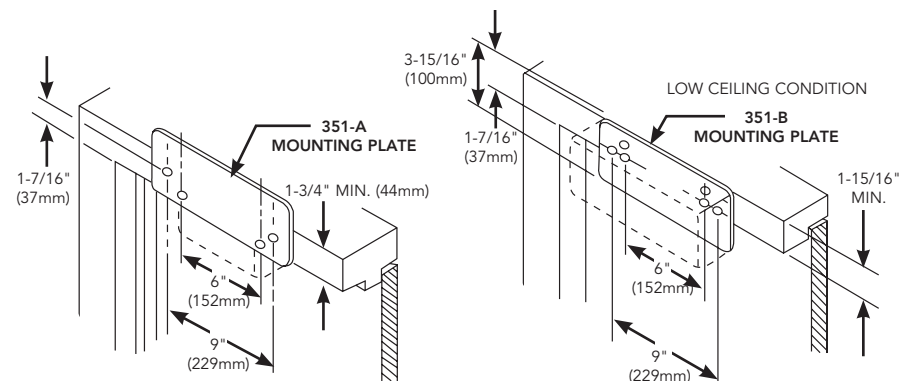
351-A Mounting Plate

The 351-A allows top jamb mounting of a 351 with a 1-3/4" minimum frame clearance.

351-B Mounting Plate

The 351-B for low ceiling applications allows top jamb mounting of a 351 with a minimum 1-15/16" frame.

- Plates are painted or plated steel to match closer
- Plates are non-handed
- Order as 351-A x finish or 351-B x finish



Copyright © 2005-2023, SARGENT Manufacturing Company. All rights reserved. Reproduction in whole or in part without the express written permission of SARGENT Manufacturing Company is prohibited. Patent pending and/or patent www.assaabloy.com/patents.

90120 08/23

Arms for Top Jamb Applications

351 Series Powerglide®

Narrow Reveal

O - Standard Arm

- Forged Steel Main Arm
- For reveals up to 2" (51mm)
- Non-handed
- Permits 180° door opening

Order as 25-O x finish for arm only
Includes: 63-2607 - Main arm assembly
63-2216 - Foot assembly
63-3684 - Screw pack



H - Hold Open Arm

- Forged Steel Main Arm
- For reveals up to 2" (51mm)
- Adjustable friction holder
- Non-handed
- Permits 180° door opening

Order as 25-H x finish for arm only
Includes: 63-3070 - Main arm assembly
61-2303 - Foot assembly
63-3684 - Screw pack



Deep Reveal Arms

OZ - Standard Arm for Deep Reveals

- Forged Steel Main Arm
- For reveals from 2-1/8" (54mm) to 5" (127mm)
- Non-handed
- Permits 140° door opening

Order as 25-OZ x finish for arm only
Includes: 63-2607 - Main arm assembly
63-2217 - Foot assembly
63-3684 - Screw pack



HZ - Hold Open Arm for Deep Reveals

- Forged Steel Main Arm
- For reveals from 2-1/8" (54mm) to 5" (127mm)
- Adjustable friction holder
- Non-handed
- Permits 140° door opening

Order as 25-HZ x finish for arm only
Includes: 63-2230 - Main arm assembly
61-2303 - Foot assembly
63-3684 - Screw pack



Extra Deep Reveal Arms

OZA - Standard Arm for Extra Deep Reveal

- Forged Steel Main Arm
- For reveals 5-1/8" (130mm) to 8" (203mm)
- Non-handed
- Permits 140° door opening

Order as 25-OZA x finish for arm only
Includes: 63-2607 - Main arm assembly
63-2218 - Foot assembly
63-3684 - Screw pack



HZA - Hold Open Arm for Extra Deep Reveal

- Forged Steel Main Arm
- For reveals 5-1/8" (130mm) to 8" (203mm)
- Adjustable friction holder
- Non-handed
- Permits 140° door opening

Order as 25-HZA x finish for arm only
Includes: 63-2231 - Main arm assembly
61-2303 - Foot assembly
63-3684 - Screw pack



Parallel Arm Applications

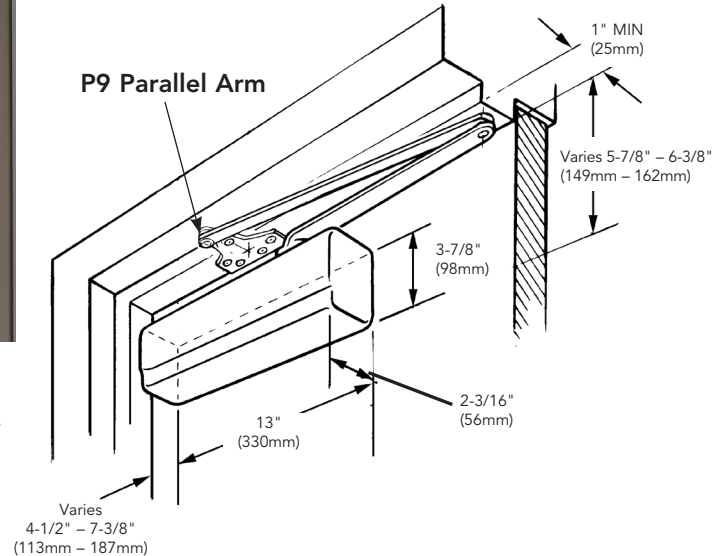
351 Series Powerglide®

SARGENT
ASSA ABLOY



Parallel Arm Applications - The 351 closer is mounted on the push side of the door. As the door opens, the closer swings with the door and gives full headroom in the door opening. Other advantages: the closer arm does not project into the room; the frame can be quite narrow and the door can be swung open much farther than in Top Jamb Applications.

351-P9 Regular Duty Parallel Arm



Heavy Duty Parallel Arms

For use in high traffic and abusive environments

- Forged steel arm and cast iron foot bracket for strength and durability
- Oiled bronze bearings for superior wear resistance
- 2 piece rigid arms for ease of installation
- Friction and positive hold open arms available
- Use friction hold open arms for doors subject to moderate hold open use
- Dead stop and compression stop arms available
- Security non-hold open arms available

Non hold-open arms

- Two mounting positions for 120° and 180° maximum door openings

Stop arms

- 6 mounting positions with PS or CPS arms to allow stop from 85°-110°

Regular Duty Parallel Arms

Available Arms for institutional installations:

- Regular duty parallel arms
- Offset bracket arms for use with Auxiliary Holders & Stops
- Parallel flush frame arms
- Flush frame arms for use with Auxiliary Holders & Stops
- Flush frame, friction Hold Open Arms

NON HOLD OPEN ARMS

- Two mounting positions for 120° and 180° maximum door opening

HOLD OPEN ARMS

- Friction hold open arms available for doors subject to moderate hold open use
- 6 mounting positions to hold open from 85° - 110° with PSH or CPSH arms

Copyright © 2005-2023, SARGENT Manufacturing Company. All rights reserved. Reproduction in whole or in part without the express written permission of SARGENT Manufacturing Company is prohibited. Patent pending and/or patent www.assaabloydss.com/patents.

90120 08/23

Heavy Duty Parallel Arms

351 Series Powerglide®

P10 - Heavy Duty Parallel Arm

- Forged Steel Constructions
 - Non-Handed
 - Easily installed
 - Permits 120° opening at standard mounting
 - Permits 180° opening at alternate mounting
 - Can be used with the 351L retrofit plate when replacing a LCN 4040 closer
- Order as 25-P10 x finish for arm only
25-P10 Includes: 63-0641 - Main arm
63-3727 - P10 foot assembly
63-3684 & 63-2392 - Screw packs



PS - Heavy Duty Parallel Arm with Positive Stop

- Forged Steel Constructions
 - Handed arm is field-reversible
 - Provides built in stop from 85° – 110°
 - Permits 110° opening maximum
 - Easily installed
 - Permits 85° – 110° door opening
- Order as 25-PS x finish for arm only
Includes: 63-0641 - Main arm
63-3837 - PS foot assembly
63-3684 & 63-2398 - Screw packs



CPS - Heavy Duty Parallel Arm with Compression Stop

- Forged Steel Constructions
 - Provides built in compression stop from 85° – 105°
 - Permits 105° opening maximum
 - Easily installed
 - Handed arm is field-reversible
 - Dead stop within 3°
- Order as 25-CPS x finish for arm only
Includes: 63-0641 - Main arm
63-3830 - CPS foot assembly
63-0516 - Bumper holder
63-3493 - Bumper
63-3684 & 63-2398 - Screw packs



SP10 Heavy Duty Security Arm

- Same as P10, except factory assembled at arm joint (elbow) to prevent disassembly in SSP package along with metal cover



PSH - Heavy Duty Parallel Hold Open Arm with Positive Stop

- Forged Steel Constructions
 - Provides holder and stop features
 - Handed arm is field-reversible
 - Easily installed/adjusted
 - Permits 85° – 110° door opening
- Order as 25-PSH x finish for arm only
Includes: 63-0641 - Main arm
63-3833 - PSH foot assembly
63-3684, 63-2392 & 63-2398 - Screw packs



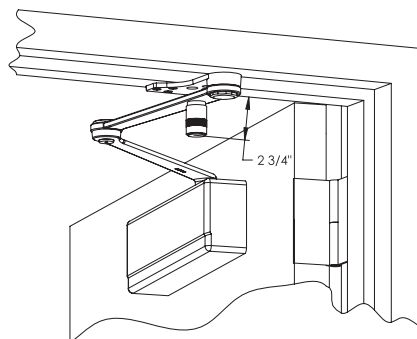
CPSH - Heavy Duty Hold Open Parallel Arm with Compression Stop

- Forged Steel Constructions
 - Handed arm is field-reversible
 - Provides built in compression stop and holder mechanism from 85° – 105°
 - Easily installed/adjusted
 - Permits 105° opening maximum
 - Dead stop within 3°
- Order as 25-CPSH x finish for arm only
Includes: 63-0641 - Main arm
63-3836 - CPSH foot assembly
63-0516 - Bumper holder
63-3493 - Bumper
63-3684, 63-2392 & 63-3487 - Screw packs



PH10 - Heavy Duty Friction Hold Open Parallel Arm

- Forged Steel Constructions
 - Adjustable hold open from 75° – 180°
 - Forged steel arm 11-1/4" (286mm) long
 - Handed same as door
 - Use friction hold open arms for doors subject to moderate hold open use
- Order as 25-PH10 x finish for arm only
25-PH10 Includes: 63-0641 - Main arm
63-3839 - Left hand PH10 foot assembly
63-3840 - Right hand PH10 foot assembly
63-3684 & 63-2392 - Screw packs



The PSH and CPSH arms project 2-3/4" below the head stop

Positive Stop Hold Open Arms (PSH & CPSH ARMS)

- Use on doors subject to repetitive hold open use
- 6 hold open positions from 85° – 110° determined by mounting position
- Hold open function may be disengaged
- Hold open tension is easily adjustable

Regular Duty Parallel Arms

351 Series Powerglide®

SARGENT
ASSA ABLOY

Standard Arms

P9 - Standard Parallel Arm

- Forged Steel Main Arm
- Non-handed
- Can be used with the 351L retrofit plate when replacing a LCN 4040 closer



Order as 25-P9 x finish for arm only
Includes: 63-2607 - Main arm
63-3405 - Foot assembly
63-3684 & 63-2391 - Screw packs

Regular Duty Hold Open Arms

PH9 - Friction Hold Open Arm

- Forged Steel Main Arm
- Holds open from 75° – 180°
- Easily adjusted by wrench
- Non-handed



Order as 25-PH9 x finish for arm only
Includes: 63-3070 - Main arm
61-2303 - Foot assembly
64-0039 - Foot bracket (125 PH9)
63-3684 & 63-2391 - Screw packs

PH4 - Flush Frame, Friction Hold Open Arm

- Forged Steel Main Arm
- Holds open from 75° – 180°
- Easily adjusted by wrench
- Non-handed
- Use on frames where stop or soffit is too narrow to mount the standard hold open foot bracket



Order as 25-PH4 x finish for arm only
Includes: 63-3070 - Main arm
61-2303 - Foot assembly
64-0050 - Foot bracket
63-3684 & 63-2391 - Screw packs

Offset Brackets for use with overhead stops, holders and door coordinators

P3 - 1" Offset Bracket for use with Auxiliary Holder/Stop



- Forged Steel Main Arm
- For use with auxiliary surface overhead stops and holders
- Foot bracket is offset 1" more than P-9, allowing door closer to be lowered on door face
- Non-handed

Order as 25-P3 x finish for arm only
Includes: 63-2607 - Main arm
63-2270 - Foot assembly
63-3684 & 63-2391 - Screw packs

P3A - 1-3/4" Offset Bracket for use with Auxiliary Holder/Stop



- Forged Steel Main Arm
- For use with auxiliary surface overhead stops and holders and door coordinators
- Foot bracket lowers door closer an additional 3/4" below P3 bracket
- Non-handed

Order as 25-P3A x finish for arm only
Includes: 63-2607 - Main arm
63-2274 - Foot assembly
63-3684 & 63-2391 - Screw packs

P4 - Parallel Flush Frame Arm



- Forged Steel Main Arm
- Foot bracket is attached to frame or transom face
- For use where stop or soffit is too narrow for the standard P9
- Permits 120° opening with standard mounting
- Permits 180° opening with alternate mounting
- Non-handed

Order as 25-P4 x finish for arm only
Includes: 63-2607 - Main arm
63-2295 - Foot assembly
63-3684 & 63-2391 - Screw pack

P4A - Flush Frame Arm for use with Auxiliary Holder/Stop



- Forged Steel Main Arm
- For use with auxiliary surface overhead stops and holders
- Foot bracket is attached to frame or transom face
- Foot bracket lowers door closer an additional 3/4" below P4 bracket
- Non-handed

Order as 25-P4A x finish for arm only
Includes: 63-2607 - Main arm
63-2272 - Foot assembly
63-3684 & 63-2391 - Screw packs

Tri-Packs

UO Package

- Universal arm package provides arms and brackets to install closer in standard top jamb or parallel application



351-UO not available with (MC) metal cover or plated finishes

Screw pack
63-3684
125-P9

UH Package

- Universal hold open arm package provides brackets and arms to install closer in top jamb, standard or parallel applications



351-UH not available with (MC) metal cover or plated finishes

Screw pack
63-3684
125-PH9



Accessories for Parallel Applications

351 Series Powerglide®

SARGENT
ASSA ABLOY

Heavy Duty Parallel Arm Accessories

581-2 Blade Stop Spacer Kit



- For frames with 1/2" blade stops
 - For use with P10, PH10, PS, PSH, CPS and CPSH arms
 - 125-V bracket included
 - Packed with 1-1/4" long screws
- Use P/N 63-0756 to order blade stop only

125-V/125-VF Brackets



125-V

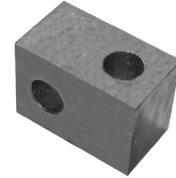
- For use with all heavy duty parallel arms
- Use 125-V for narrow stop and frame conditions
- Use 125-VF for flush door and frame conditions



125-VF

Spacer 63-0191

- 1/2" x 5/8"
- Included standard with PS, PSH, PH10, P-10 CPS and CPSH arm for use with rabbited frames



Regular Duty Parallel Arm Accessories

125-P3 Arm Conversion Unit

- Converts O or P9 arm to P3 Parallel Arm



125-P3A Arm Conversion Unit

- Converts O or P9 Arm to P3A Parallel Arm



125-PH9 Parallel Arm Foot

- Converts standard hold open (H) arm to PH9 Parallel Hold Open Arm



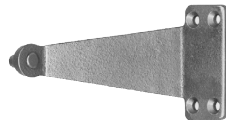
125-P4 Conversion Unit

- Converts O or P9 Arm to P4A Arm



125-P4A Arm Conversion Unit

- Converts O or P9 arm to P4A Arm



581-1 Blade Stop Spacer Kit

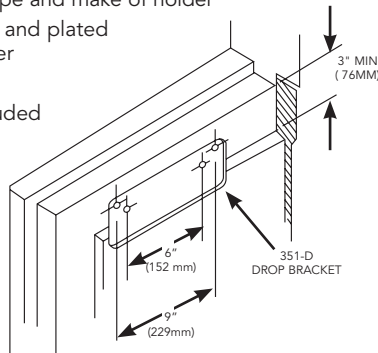


- For frames with 1/2" blade stops
- For use with P9, PH9 and PF9 arms only
- Packed with 1-1/4" long screws

Regular Duty Parallel Arm Accessories

351-D Drop Plate

- Permits mounting parallel arm 351 Series Closer applications on doors with narrow top rails
- Requires 3" (76mm) minimum top rail
- For closers used with overhead stops and holders, top rail requirements will vary depending upon type and make of holder
- Available with powder coat and plated finishes to match door closer
- Plates are not handed
- Plate mounting screws included
- Order as 351-D x finish



351L - LCN RETROFIT Plate

The 351L allows replacement of LCN 4040 closer body with a SARGENT 351 without drilling new holes in door (**Note:** New mounting holes required for arm bracket only)

- 351L Retrofit Plate:
 - Can be used with these parallel arms
 - P9 – Regular Duty Parallel Arm
 - P10 – Heavy Duty Parallel Arm
- Plates are non-handed
- Available in powder coat and plated finishes
- Order as: 351L x finish



Experience a safer
and more open world

1-800-727-5477 • www.sargentlock.com

13

Copyright © 2005-2023, SARGENT Manufacturing Company. All rights reserved. Reproduction in whole or in part without the express written permission of SARGENT Manufacturing Company is prohibited. Patent pending and/or patent www.assaabloydss.com/patents.

90120 08/23

Track Type Applications

351 Series Powerglide®

SARGENT
ASSA ABLOY

Pull Side Mounting (Hinge Side)

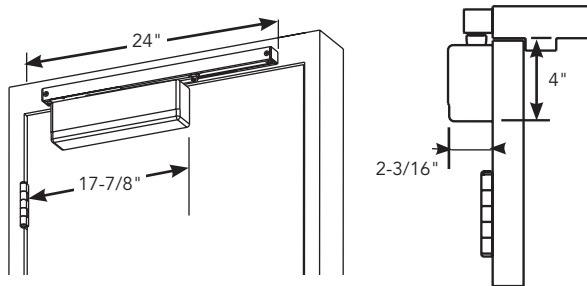


The closer is for use on interior doors opening in or out. As the door opens, the closer swings with the door. This affords a variable hold-open feature option.

Pull Side Track Application

Arm & Track	Description
OT	Pull Standard pull side
OTB	Pull Track with bumper
HT	Pull Holder
HTB	Pull Holder with bumper

Track Arm Applications



Pull Hinge Side Mounting (Track mounts on frame face)

- Minimum top rail required with a 351-A plate = 2-1/4" (57mm)
- Minimum top rail required without mounting plate = 4" (102mm)

Maximum Door Opening

- 160° with standard track
- 120° with optional bumper track
- 180° with standard track if frame conditions permit

Hold Open Range

- 85° – 120°

Common Features

Standard Finishes

- EAB, EB, ED, EN, EP, powder coated on all exposed surfaces
- Architectural plated arms and covers optional

Track

- Extruded aluminum track

Arm

- Forged steel

Bumper (optional)

- Mounts in track to assist backcheck
- Not designed to be used as a stop
- Auxiliary stop is required
- Available for both regular or hold open tracks

Holder (optional)

- Mounts within the track (adjustable)

Non Sized-Adjustable

- Interior doors to 5'0" wide
- Shipped factory preset for 3'0" door
- Factory pre-sized upon request

Push Side Mounting (Stop Side)

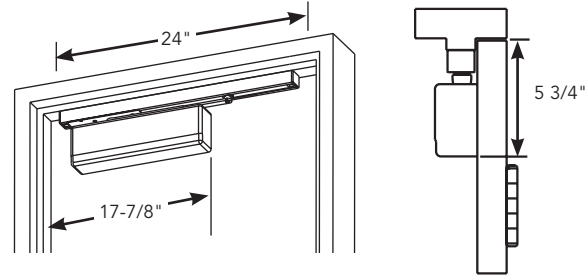


The closer is for use on interior doors opening in or out. As the door opens, the closer swings with the door. This affords a variable hold-open feature option.

Push Side Track Application

Arm & Track	Description
POT	Push Standard
POTB	Push Bumper
PHT	Push Holder
PHTB	Push Holder and bumper

Track Arm Applications



Push Stop Side Mounting (Track mounts on frame stop)

- Minimum top rail required without drop plate = 5-3/4" (146mm)
- 3" (76mm) minimum top rail required with 351-D Drop Plate

Minimum Stop Required

- 1-9/16" (40mm) wide

Maximum Door Opening

- 100° with standard track
- 95° with optional bumper track

Hold Open Range

- 85° – 95°

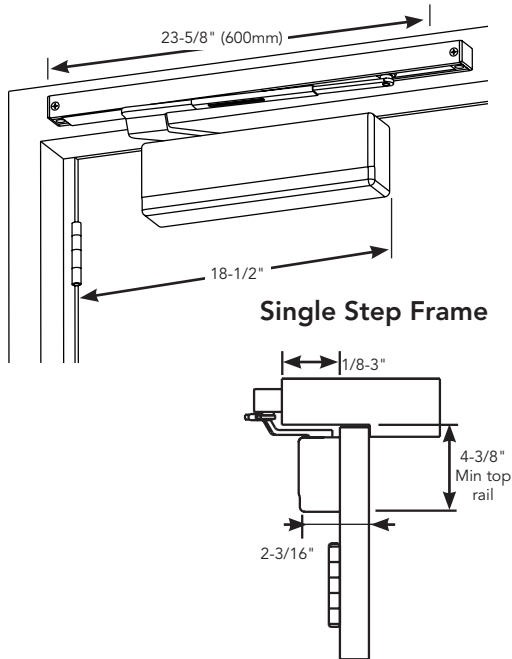
Copyright © 2005-2023, SARGENT Manufacturing Company. All rights reserved. Reproduction in whole or in part without the express written permission of SARGENT Manufacturing Company is prohibited. Patent pending and/or patent www.assaabloy.com/patents.

90120 08/23

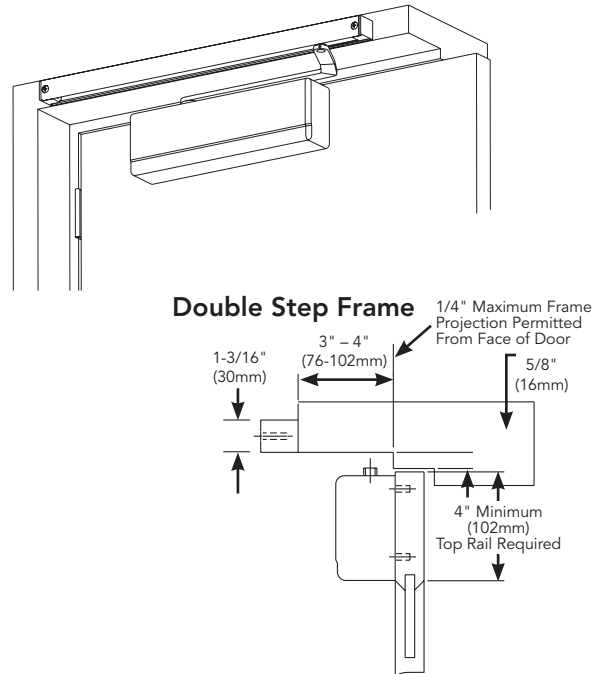
Double Egress Applications

351 Series Powerglide®

ODS - Single Step Double Egress Arm



OD - Double Step Double Egress Arm



ODS Applications

- 160° maximum door opening
- 120° opening with bumper option
- Range of hold open 85°–120°
- Used with reveals 1/8" – 3" (3mm-76mm)

Track

- Extruded aluminum track
- End caps finished to match track

Arm

- Forged steel
- Bearing roller
- Arm handed same as door

Non Handed

- Universal body

Finishes (Powder Coat)

- EAB, EB, ED, EN, EP (standard for all exposed surfaces)

Bumper (optional)

- Mounts in track to assist backcheck
- Not designed to be used as a stop
- Auxiliary stop is required
- Available for both regular or hold open tracks

Holder (optional)

- Mounts within the track (adjustable)

Non Sized-Adjustable

- Interior doors to 5'0" wide
- Shipped factory preset for 3'0" door
- Factory pre-sized upon request

Double egress track arms are used when the aesthetics of a track application is required on the pull side of a deep reveal frame.

This application is commonly used on cross corridor openings.

OD Applications

- 160° maximum door opening
- 120° opening with bumper option
- Range of hold open: 85° – 120°
- Used with reveals 3" – 4" (76mm-101mm)

Track

- Extruded aluminum track
- End caps finished to match track

Arm

- Forged steel
- Bearing roller
- Arm is handed same as door

Non Handed

- Universal Body

Finishes (Powder Coat)

- EAB, EB, ED, EN, EP (standard for all exposed surfaces)

Bumper (optional)

- Mounts in track to assist backcheck
- Not designed to be used as a stop
- Auxiliary stop is required
- Available for both regular or hold open tracks

Holder (optional)

- Mounts within the track (adjustable)

Non Sized-Adjustable

- Interior doors to 5'0" wide
- Shipped factory preset for 3'0" door
- Factory pre-sized upon request

Double Egress Track Applications

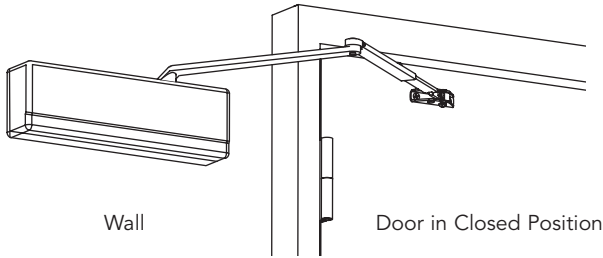
OD	Double step double egress
ODB	Double step double egress with bumper
HD	Double step double egress with holder
HDB	Double step double egress with bumper and holder
ODS	Single step double egress
ODSB	Single step double egress with bumper
HDS	Single step double egress with holder
HDSB	Single step double egress with bumper and holder

Pocket Door Applications

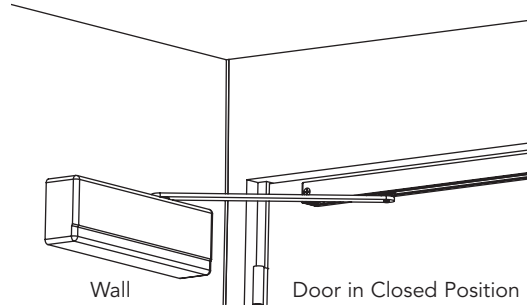
351 Series Powerglide®

SARGENT
ASSA ABLOY

OP - Double Lever Arm Application



OTP - Track Type Application



Pocket Door Applications

The 351 Series Powerglide Door Closer body is mounted on the wall and installed so that it pushes the door closed. This application is typically used with fire doors that are held open. In this application when the door is open, the closer and arms are completely hidden from view.

OP - Pocket Arm Application

- 180° Maximum Opening
 - Non handed
- Note:** 90° Maximum Opening, use OTP Track Type

Arm

- Forged steel

Non Handed

- Universal Body

Finishes (Powder Coat)

- EAB, EB, ED, EN, EP (standard for all exposed surfaces)
- Plated Covers and arms available

OTP - Track Type Application

- 90° Maximum Opening
- Extruded Aluminum Track
- Non handed

Arm

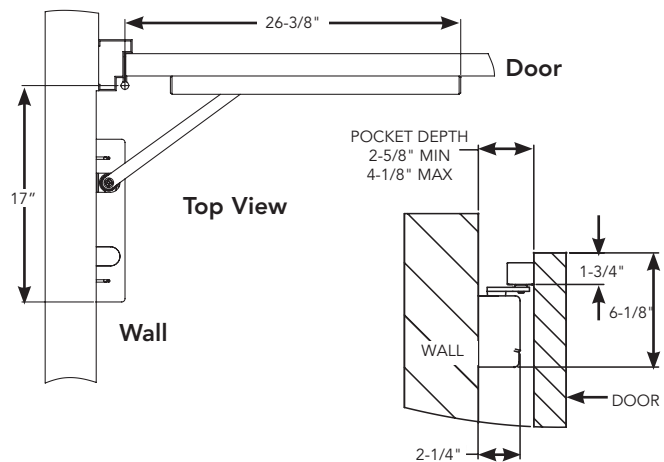
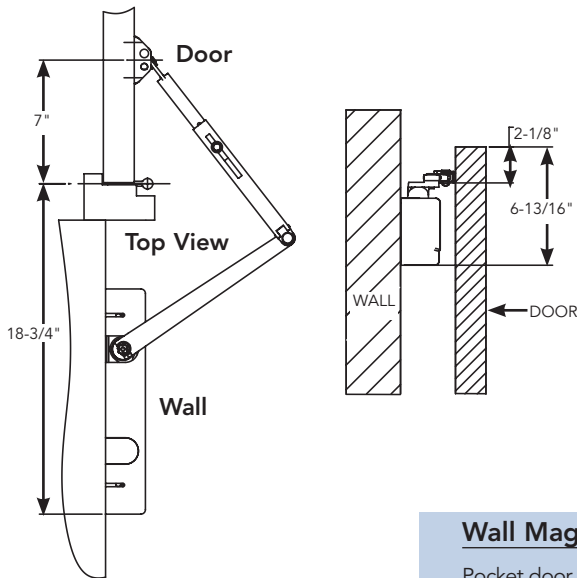
- Forged steel
- Bearing roller

Non Handed

- Universal Body

Finishes (Powder Coat)

- EAB, EB, ED, EN, EP (standard for all exposed surfaces)
- Plated Covers and arms available



Wall Magnets - see SARGENT holders and stops catalog

Pocket door applications commonly use wall mounts (wall magnets).



1560 Surface Mount



1561 Flush Mount



Copyright © 2005-2023, SARGENT Manufacturing Company. All rights reserved. Reproduction in whole or in part without the express written permission of SARGENT Manufacturing Company is prohibited. Patent pending and/or patent www.assaabloydss.com/patents.

90120 08/23

Overhead Stop/Holder Compatibility

351 Series Powerglide®

When a floor or wall stop cannot be used, the highest level of door control is provided with the use of a SARGENT door closer and a SARGENT overhead stop or holder. While door closer arms are available with stop and holder options, they are limited in their ability to withstand extreme abuse. Overhead stops absorb abusive loads using a heavy compression spring that distributes the load to the frame. SARGENT overhead stops and holders are designed for years of abuse and come with a 5 year warranty.

Frequently Used Overhead Stops used with the 351 Series

- **Standard Door Closer Applications (PULL SIDE MOUNT) Not Shown**

- 590 Series Holder/Stop with 351-O
- 690 Series Holder/Stop with 351-O
- 1530 Series Holder/Stop with 351-O
- 1540 Series Holder/Stop with 351-O

- **Parallel Arm Door Closer Applications (PUSH SIDE MOUNT)**

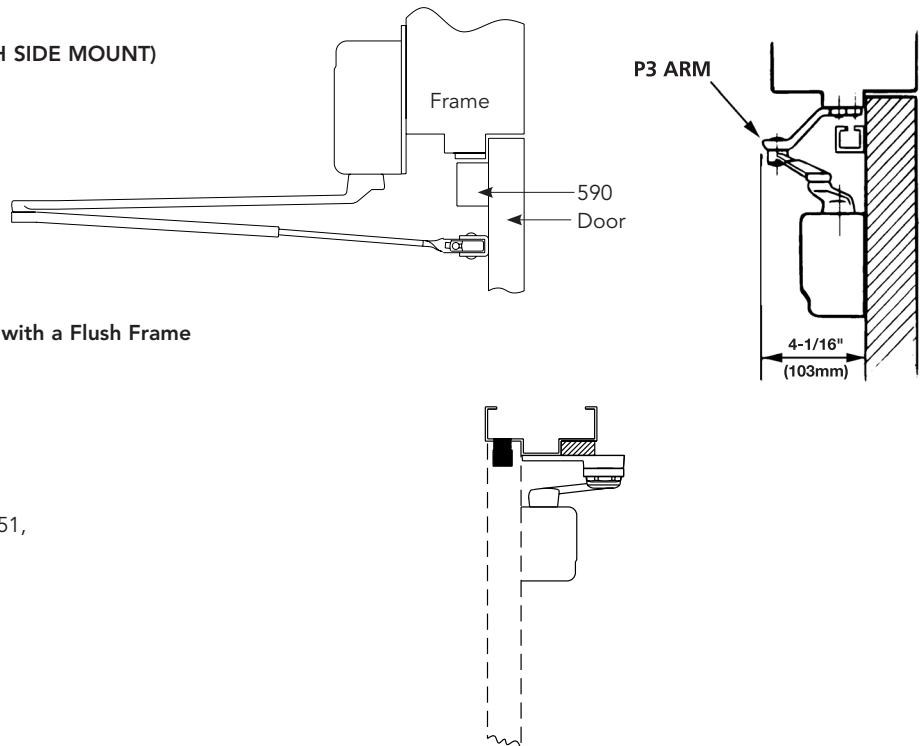
- 590 Series Holder/Stop with 351-P3
- 590 Series Holder/Stop with 351-PD10
- 690 Series Holder/Stop with 351-P9
- 690 Series Holder/Stop with 351-P10
- 1530 Series Holder/Stop with 351-P9
- 1530 Series Holder/Stop with 351-P10
- 1540 Series Holder/Stop with 351-P3
- 1540 Series Holder/Stop with 351-PD10

- **Parallel Arm Door Closer Applications Used with a Flush Frame**

- 590 Series Holder/Stop with 351-P4
- 690 Series Holder/Stop with 351-P4
- 1530 Series Holder/Stop with 351-P4
- 1540 Series Holder/Stop with 351-P4

- **Inverted Top Jamb Applications**

- 590, 690, 1530, 1540 Series with either 281, 351, 1431 Series and "O" OZ, OZA Arm



Special Conditions

The SARGENT Website (www.sargentlock.com) contains templates for all common applications of SARGENT Door Closers with SARGENT overhead door holders. To ensure a satisfactory installation for other holders, it is recommended that complete details be submitted as follows:

- Type, size and make of holder
- Closer application being used
- Holding position (maximum door opening)
- Size and type of hinge
- Submit holder template being used

In the case of unusual door, frame and hinge conditions where regular products do not meet requirements, submit drawings and complete details specifying the degree of door openings required, the type and size of hinge and the maximum door opening angle.

Through-bolts and Mortise Nuts

- When through-bolting is ordered, factory will furnish mortise nuts for use with the machine screws furnished with the closer
- Nuts are sized to accommodate 1-3/4" (44mm) standard or 1-3/8" (35mm) thick doors when specified on order
- For 2-1/4" (57mm) thick doors, longer through-bolts will be furnished with mortise nuts
- A bridge type reinforcement is required to prevent collapse of top rails when through-bolts are tightened (required on hollow metal doors).

How to Order and Options

351 Series Powerglide®

Packing

All closer assemblies are packaged 4 per carton. On request, door closers will be packed 2 per carton.

Series

Number per Carton

Approx. wt per Carton

351	4-Standard (2 upon request)	19 lbs. per 4
-----	-----------------------------	---------------

How To Order

Options	Series	Closer Arm	Finish	Hand
CPC-DA	351	P4H	26	LH
31-	351	Standard Page 7	EB	LH
36-			ED	RH
74-			EN	
CPC-		Top Jamb Page 9	EP	
DA-			EAB	
MC-		Parallel Pages 11 & 12	03*	
TB-			04*	
			09*	
			10*	
			10B*	
			10BE	
			10BL*	
			14*	
		15*		
		20D*		
	26*			
	26D*			
	BSP			
	WSP			
		Track Type Page 14 & 15		

Options Available

Specify	Detailed Description
31-	For doors 1-7/8" – 2-1/4" thick, specify door thickness, doors over 2-1/4" thick contact factory
36-	Security Torx Screws
74-	Lead lined cover
CPC-	Clear Powder Coat (available on 26 & 26D)
DA-	Delayed Action
MC-	Handed Metal Cover
TB-	Through Bolt (1-3/4" Std) For others, specify 31-TB- & door thickness

Note:

- The MC- option is used when a metal cover is desired on a powder coated finish
- When MC- is added to a plated finish, the MC- option indicates that only the cover is to be plated, the arms will be powder coated to match
- Do not specify the MC suffix if both the cover and arms are to be plated

* These finishes are automatically provided with a metal cover

How To Order Accessories

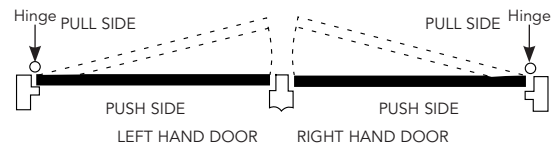
	Example	
Arm Only	Specify arm required and finish	25-PSH EN
Closer Body Only	Specify: CB-351*	CB-351
Arm conversion Units	Specify unit and finish	125-P4 EB
Cover Only (Standard)	351-C x finish	351-C EN
Cover Only (Metal)	351-CMC x finish and hand & arm type 351-CMC + 26D + LH + P10	

Note: When complete closer assembly is ordered with an accessory, order accessory as a separate item

*DA (Delay Action) option is available with closer body

NOTE:

- Before installing a door closer, verify the accessibility, fire, and life-safety requirements that are in effect. This includes the mounting height and projection into the clear opening. Check the adopted state and local building codes and consult the Authority Having Jurisdiction (AHJ).
- To maintain the warranty and ensure proper operation of the product, follow the installation instructions & templates and install on the inside of the building.
- Consult NFPA 80 for the hinge requirements on a fire door.
- Failure to use fasteners supplied with closer may void factory warranty.
- Optional fasteners are available for a variety of applications. Consult the door and frame manufacturer to ensure the proper fasteners are used to maintain certifications.
- Sizing charts are based on 1-3/4" x 7' standard weight doors swinging to 110°. Other application conditions (e.g. larger door heights or weight) may require larger size closer. Adjusting the spring power to meet the low opening force requirements of the Americans With Disabilities Act or ANSI/BHMA Standard A117.1, may not provide adequate closing power to dependably close and latch the door in some conditions (i.e. air movement from wind gusts or building stack pressure).



Finishes

351 Series Powerglide®

Finishes	ANSI/ BHMA	Description
EB	695	Bronze powder coated to match finish 10B
EN	689	Aluminum powder coated
ED	693	Black powder coated to match finish 20D
EAB	696	Brass powder coated
EP	691	Bronze powder coated to match finish 10
03	605	Bright brass, clear coated
04	606	Satin brass, clear coated
09	611	Bright bronze, clear coated
10	612	Satin bronze, clear coated
10B	613	Dark oxidized satin bronze, oil rubbed
10BE	613E	Dark oxidized satin bronze - equivalent
10BL	614	Oxidized satin, bronze, clear coated
14	618	Bright nickel plated, clear coated
15	619	Satin nickel, clear coated
20D	624	Statuary dark bronze, clear coated
26	625	Bright chromium plated
26D	626	Satin chromium plated
BSP	—	Black Suede Powder Coat
WSP	—	White Suede Powder Coat

The ASSA ABLOY Group is the global leader in access solutions. Every day, we help billions of people experience a more open world.

ASSA ABLOY Opening Solutions leads the development within door openings and products for access solutions in homes, businesses and institutions. Our offering includes doors, frames, door and window hardware, mechanical and smart locks, access control and service.

SARGENT[®]

ASSA ABLOY

SARGENT Manufacturing Company
100 Sargent Drive
New Haven, CT 06511 USA
800-727-5477
www.sargentlock.com

Founded in the early 1800s, SARGENT[®] is a market leader in locksets, cylinders, door closers, exit devices, electro-mechanical products and access control systems for new construction, renovation, and replacement applications. The company's customer base includes commercial construction, institutional, and industrial markets.

Copyright © 2005-2023, SARGENT Manufacturing Company. All rights reserved. Reproduction in whole or in part without the express written permission of SARGENT Manufacturing Company is prohibited. Patent pending and/or patent www.assaabloydss.com/patents.