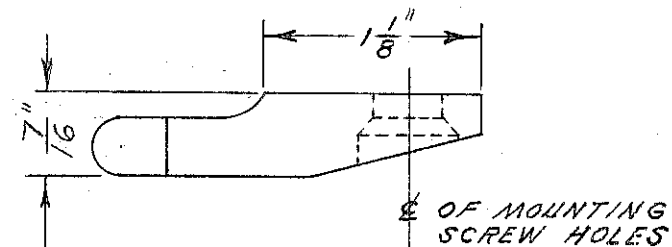
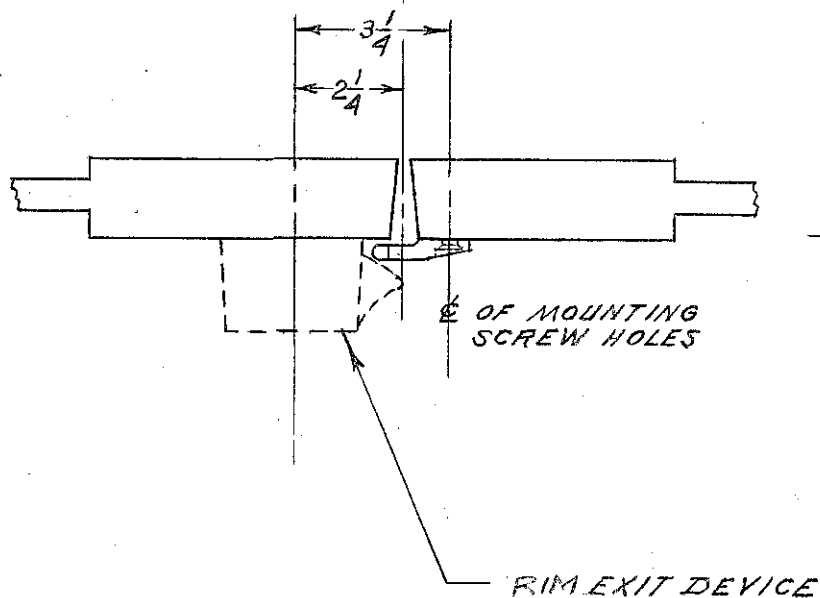


THIS STRIKE USED ON THE DOOR ADJACENT TO THE ONE USING A RIM EXIT DEVICE WHEN NO MULLION IS USED.

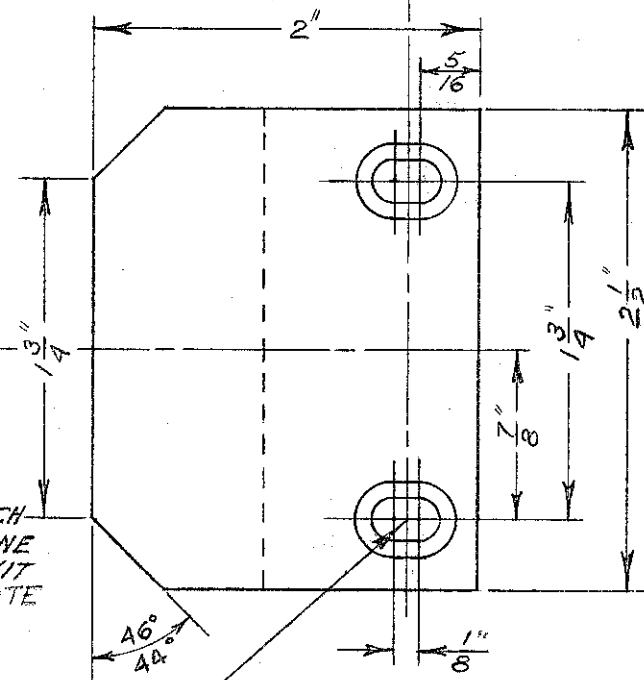


CENTERLINE BETWEEN DOORS



OF LATCH BOLT

IMPORTANT
ALIGN WITH LATCH BOLT CENTERLINE AS SHOWN ON EXIT DEVICE TEMPLATE



(2) #10-24 SCREWS:
WE RECOMMEND THAT THESE HOLES BE DRILLED AND TAPPED WHEN APPLYING STRIKE

THIS TEMPLAT DRAWING HAS BEEN ISSUED FOR REFERENCE ONLY UNLESS IT HAS BEEN OVERSTAMPED WITH SPECIFIC JOB IDENTIFICATION

©

① — FRACTIONAL DIM. TOL. $\pm 1/64$

©

SARGENT & COMPANY

NEW HAVEN 9, CONN.

METAL DOOR TEMPLAT:
644 DOUBLE DOOR STRIKE

RELEASE DATE
26 APR 89
TEMPLAT NO.
3996C