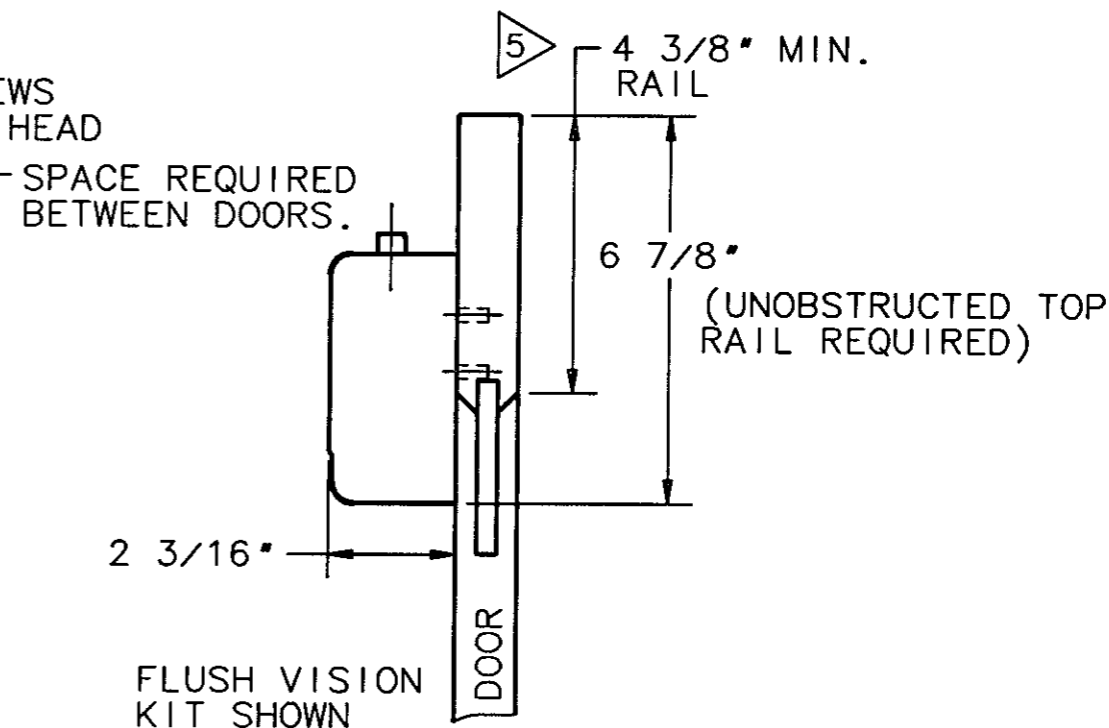
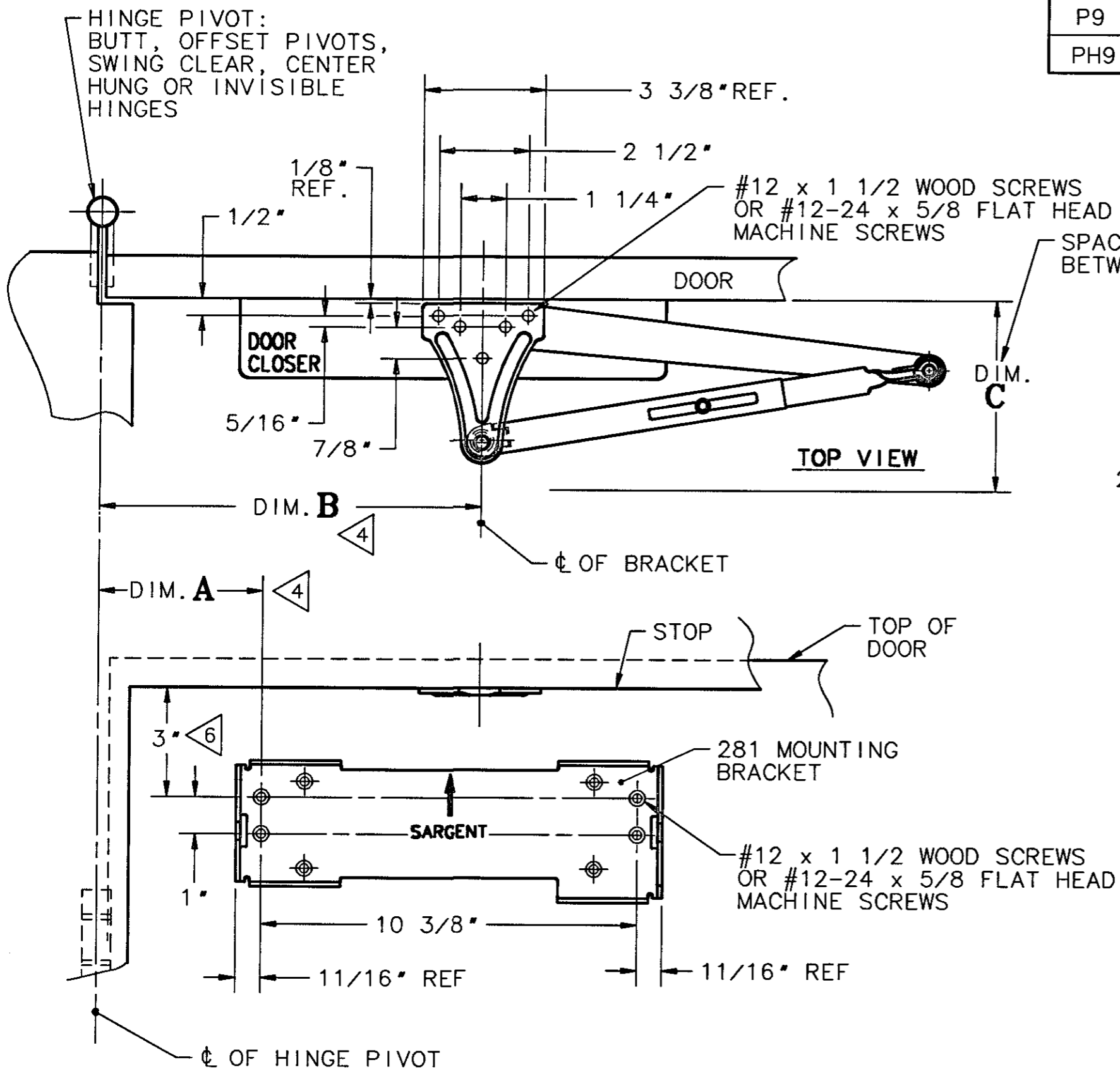


**P9 ARM ASSEMBLY SHOWN.
PH9 TYPE ARM SIMILAR**

IMPORTANT: USE ALTERNATE MOUNTING IF DOOR CAN OPEN BEYOND LIMITS SHOWN FOR STANDARD MOUNTING

ARM TYPE	DESCRIPTION	STANDARD MOUNTING			ALTERNATE MOUNTING ^③			DIM. C
		DIM. A	DIM. B	MAX. DOOR OPENING	DIM. A	DIM. B	MAX. DOOR OPENING	
P9	WITHOUT HOLDER	4 1/2"	10 1/2"	120°	1 5/8"	7 5/8"	180°	4 5/8"
PH9	90°-180° HOLD OPEN			110°				5 3/8"



- ⑥ THIS DIMENSION MAY BE REDUCED 1/2" TO AVOID ANY TRIM INTERFERENCE.
- ⑤ SPACE REQUIRED TO MOUNT CLOSER ON RAIL. IF SPACE IS LESS THAN SHOWN USE 281-D DROP PLATE. SEE DATA SHEET A7244 FOR DETAILS.
- ④ THIS DIMENSION IS TAKEN FROM HINGE EDGE OF DOOR FOR INVISIBLE HINGES.
- ③ DO NOT USE THIS MOUNTING FOR "SWING CLEAR" HINGES.
- ② LEFT HAND DOOR SHOWN. RIGHT HAND DOOR OPPOSITE.
- ① 12 GAUGE MIN. REINFORCEMENT REQUIRED FOR METAL DOORS & FRAMES.

SARGENT MANUFACTURING COMPANY

NEW HAVEN, CONN. 06511

DATA SHEET: 281 SERIES CLOSER
x PARALLEL ARM APPLICATION-
P9 & PH9 ARMS

EFFECTIVE DATE
JAN 2000
TEMPLET NO. A7227 B