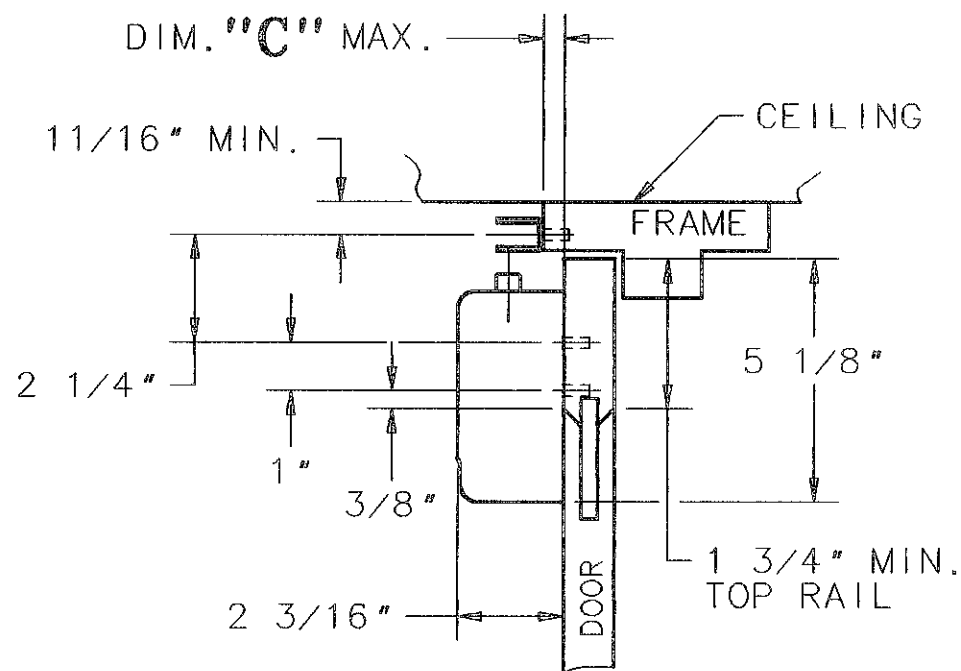


IMPORTANT: USE ALTERNATE MOUNTING IF DOOR CAN OPEN BEYOND LIMITS SHOWN FOR STANDARD MOUNTING

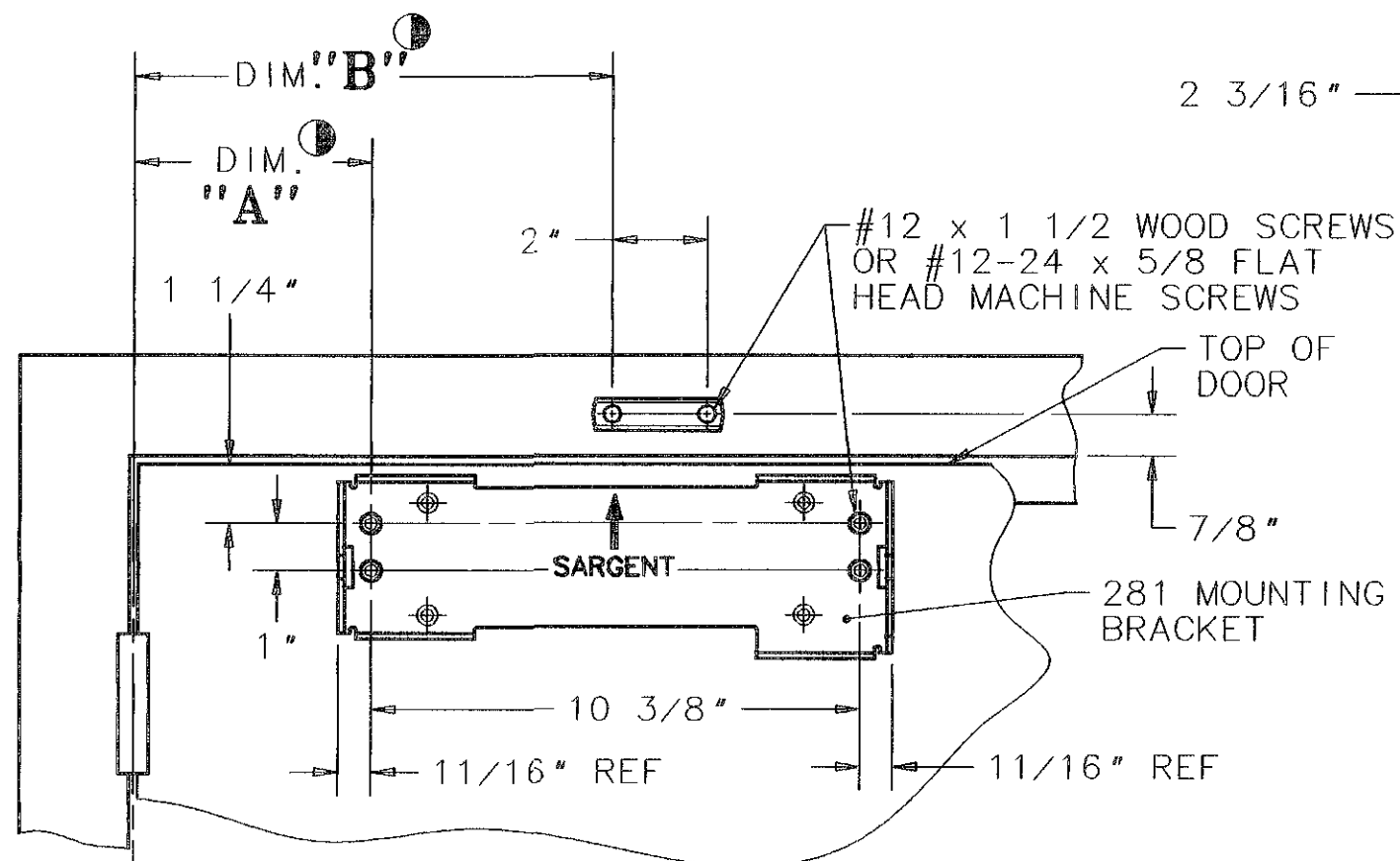
ARM TYPE	MOUNTING	MAX. DOOR OPENING	DIM. A	DIM. B
REGULAR ARM NO HOLDER	STANDARD	120°	7"	12 1/8"
	ALTERNATE	160°	5"	10 1/8"

FRAME PROJECTION PERMITTED FROM FACE OF DOOR

TOP DOOR RAIL MIN.	DIM. C
2 5/8	7/16
2 1/8 - 2 9/16	1/8
1 3/4 - 2 1/16	0



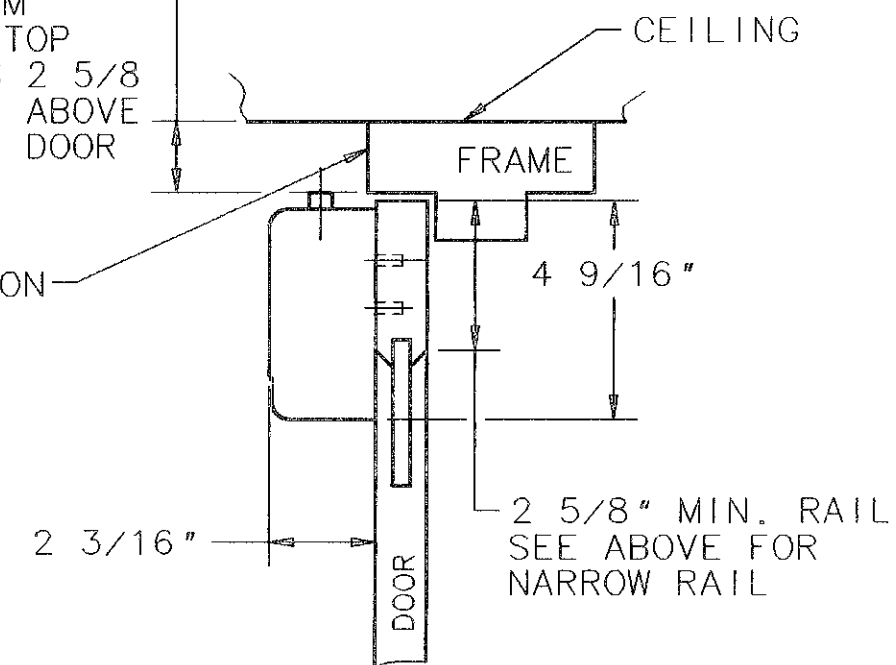
FOR NARROW RAIL DOOR ONLY
(RAIL LESS THAN 2 5/8)



Ø OF HINGE PIVOT:
BUTTS, OFFSET PIVOTS,
SWING CLEAR, CENTER HUNG
OR INVISIBLE HINGES

1 1/2" MIN. SPACE
REQUIRED FOR ARM
CLEARANCE WHEN TOP
RAIL OF DOOR IS 2 5/8
OR GREATER. SEE ABOVE
FOR NARROW RAIL DOOR

FRAME PROJECTION
DIM. "C" MAX.



③ IF BUTT, FRAME AND WALL CONDITIONS PERMIT, CLOSER WILL ALLOW DOOR TO OPEN 180°.

② RIGHT HAND DOOR SHOWN. LEFT HAND DOOR OPPOSITE.

① 12 GAUGE MIN. REINFORCEMENT REQUIRED FOR METAL DOORS & FRAMES.

④ THIS DIMENSION IS TAKEN FROM HINGE EDGE OF DOOR FOR INVISIBLE HINGES.

SARGENT MANUFACTURING COMPANY

NEW HAVEN, CONN. 06511

DATA SHEET: 281
SERIES CLOSER x STANDARD ARM
APPLICATION REGULAR- "0"

EFFECTIVE DATE
DEC. 98
TEMPLET NO. A7237 A