

7 Line Cylindrical Lever Locks



Table of Contents

7 Line Cylindrical Lever Locks

Overview	3
Certifications	4
Technical Details	5
Lever & Rose Designs	6
Functions	7
Cylinders	8
Latches	9
Strikes	10
Mechanical & Cylinder Options	11-12
Finishes, Packaging	13
How to Order, Miscellaneous Parts	14
Architectural Specifications	15

MicroShield®

ASSA ABLOY Group companies offer MicroShield®, an anti-microbial coating for door hardware. MicroShield uses proven silver ion-based technology from Agion®, a leading provider of antimicrobial solutions, to stem the spread of bacteria and other microbes.

MicroShield® is a trademark of ASSA ABLOY Access and Egress Hardware Group, Inc.

MicroShield® Coating

- Revolutionary finish coating available on all SARGENT product lines, utilizes a silver-based antimicrobial compound from Agion Technologies
- As an integral part of the finish coating, MicroShield lasts for the life of the hardware
- MicroShield coating permanently suppresses the growth of bacteria, algae, fungus, mold and mildew. It is effective against a broad spectrum of bacteria.
- Non-toxic and completely safe. The Agion antimicrobial compound is EPA and NSF approved and FDA listed for use in medical and food preparation equipment.
- Applications: Anywhere there is need for a clean environment (hospitals, laboratories, schools, medical centers, daycare, food processing etc.)



The Agion antimicrobial is not intended as a substitute for good hygiene. Coated products must still be cleaned to ensure the surfaces will be free of destructive microbes. ASSA ABLOY makes no representations or warranties, express or implied, as to the efficacy of the Agion antimicrobial. A copy of the Agion warranty is available upon request. Agion is a registered trademark of Agion Technologies, Inc., Wakefield, MA, USA.

On The Cover

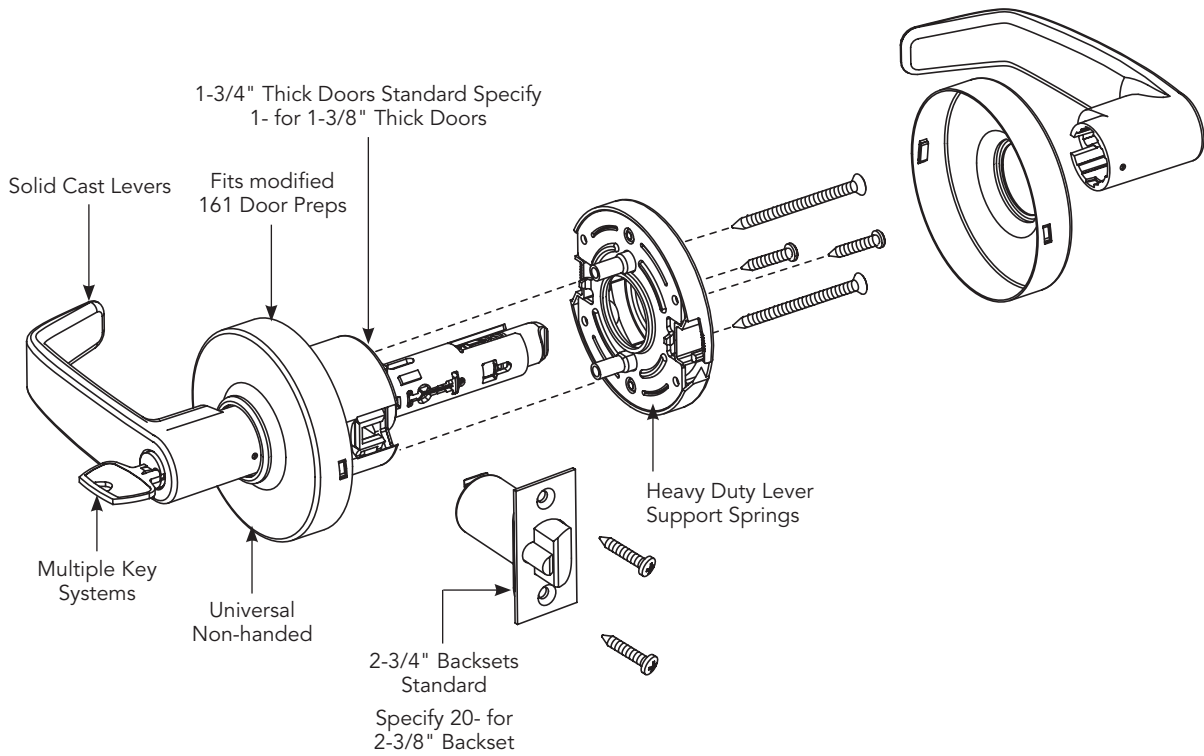
- 7G05 X LB

Overview

7 Line Cylindrical Lever Locks

A key-in-lever lock designed for standard duty commercial exterior and interior doors in offices, commercial interiors, medical clinics, government facilities and public buildings. Exceeds ANSI/BHMA A156.2 Standards for cycling and durability.

“Best Overall Lock in the Grade 2 Class”



Applications

- Standard duty commercial interior & exterior doors
- Offices
- Commercial interiors
- Medical clinics
- Government facilities
- Public buildings



Certification/Compliance

ANSI/BHMA	Certified ANSI/BHMA A156.2 (2017) Series 4000 — Grade 2 Certified ANSI/BHMA A156.41
UL/cUL	UL/cUL listed to US and Canadian safety standards for 3 hour doors up to 4' x 10' (double doors require 41- option)
NFPA 80	Conforms for life safety and property protection, Standard for Fire Doors and Other Opening Protectives
Positive Pressure	Meets ANSI/UL 10C, Positive Pressure Fire Test of Door Assemblies
ADA	All levers conform to ADA clear opening width requirements of ANSI A117.1
California State Reference Code (Formerly Title 19, California State Fire Marshal Standard)	All levers with returns comply; levers return to within 1/2" (13mm) of door face
Windstorm/Hurricane	All individual components of a total door opening are required to comply with each code.

Any retrofit or other field modification to a fire rated opening can potentially impact the fire rating of the opening, and Sargent Manufacturing Company makes no representations or warranties concerning what such impact may be in any specific situation. When retrofitting any portion of an existing fire rated opening, or specifying and installing a new fire-rated opening, please consult with a code specialist or local code official (Authority Having Jurisdiction) to ensure compliance with all applicable codes and ratings.

Windstorm Certifications: Florida Building Codes & UL Listings

SARGENT Manufacturing's products meet building codes that require hurricane and windstorm certifications, including some of the most stringent building codes as specified in the Florida Building Code, Miami Dade Code and the International Building Code. Listed below are certifications and standards met by the 7 Line lock.

Florida Building Code: FL2998

UL Certification Directory: ZHEM.R21744 – Latching Hardware

ANSI/SDI A250.13 (2014)	"Testing and Rating of Severe Windstorm Resistant Components for Swinging Door Assemblies"
ASTM E330 (2002)	"Standard Test Method for Structural Performance of Exterior Windows, Doors, Skylights and Curtain Walls by Uniform Static Air Pressure Difference"*
ASTM E1886 (2005)	"Standard Test Method for Performance of Exterior Windows, Curtain Walls, Doors, and Impact Protective Systems Impacted by Missile(s) and Exposed to Cyclic Pressure Differentials"*
ASTM E1996 (2009)	"Standard Specification for Performance of Exterior Windows, Curtain Walls, Doors and Impact Protective Systems Impacted by Windborne Debris in Hurricanes"*
(TAS) 201 (1994)	"Impact Test Procedures"*
(TAS) 202 (1994)	"Standard Test Method for Structural Performance of Exterior Windows, Doors, Skylights and Curtain Walls by Uniform Static Air Pressure Difference"*
(TAS) 203 (1994)	"Criteria for Testing Products Subject to Cyclic Wind Pressure Loading"*

* Published in the 7th Edition (2020), "Florida Building Code" (FBC), State Product Approval Number FL2998

Door Prep	ANSI/BHMA A156.115
Door Thickness	1-3/4" (44mm) Thick Door standard Specify 1- for 1-3/8" (35mm) Thick Door
Backset	2-3/4" (70mm) Backset standard. Specify 20- for 2-3/8" (60mm) Backset
Cylindrical Housing	Steel, zinc dichromate finish
Front	Wrought brass or stainless steel; Standard — 2-1/4" (57mm) x 1-1/8" (29mm), with 2-3/4" (70mm) backset Specify 20- for 2-1/4" (57mm) x 1" (25mm), with 2-3/8" (60mm) backset
Strike	Wrought brass or stainless steel 800 curved lip strike - standard 808 curved lip ANSI strike (specify 28- Option) 505 full lip strike (specify 14- Option)
Hand	Non-handed — B, L, P lever designs Handed — G and Y Coastal Series lever designs
Latch	Brass 1/2" (13mm) throw
Keys	Two nickel silver change keys per lock standard
Cylinder	Brass, 6-pin LA keyway, 1-bitted standard, specify KD for keyed different/random
Finishes	See page 13
Warranty	Five-year limited

Strength and Durability

- Cycle Test: Exceeds ANSI/BHMA A156.2 Grade 2 cycle requirements
- 5 Year limited warranty. No service required

Convenience

- Installs in 1 minute or less
- Non-handed design for ease of installation and efficient warehousing — with standard lever designs (Except G&Y)
- User friendly packaging
- User friendly instruction
- Convenient installation diagram on box

Design

- Solid feel and precise lever action
- Decorative Levers — Coastal Series designs – Gulfport and Yarmouth
- Levers are solid, one-piece cast construction

Flexibility

- Fits modified 161 door preps. Internal through-bolts supply strength and stability without requiring additional door preparation
- 14 architectural grade finishes
- 10 standard functions
- SARGENT uses engineered solutions and flexible manufacturing processes to accommodate special applications

Security

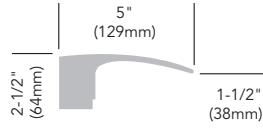
- Torx® and spanner screws optional
- Security key systems available (Degree®, Signature, XC, Keso, and Keso F1)
- Vandal resistant trim optional (FW- option)

Lever & Rose Designs

7 Line Cylindrical Lever Locks

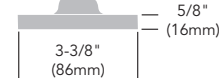
B Lever Design

- Lever: B — Solid Cast



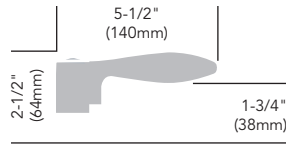
L Rose Design

- Heavy Wrought



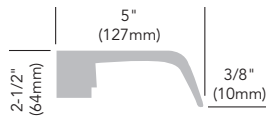
G Lever Design – Coastal Design – Gulfport

- Lever: G — Solid Cast
- Handed



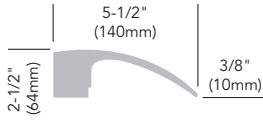
L Lever Design

- Lever: L — Solid Cast



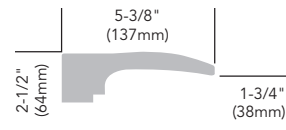
P Lever Design

- Lever: P — Solid Cast



Y Lever Design – Coastal Design – Yarmouth

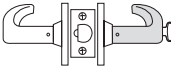
- Lever: Y — Solid Cast
- Handed



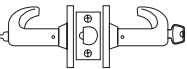
Note: All height Dimensions are from the surface of the door.

Single Cylinder Functions

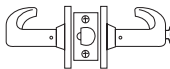
04* Storeroom or Closet

- 7G04**
- 
- Deadlocking latch
 - Latch by lever inside or key outside
 - Outside lever rigid at all times
 - **ANSI/BHMA F86**

05* Entrance or Office

- 7G05**
- 
- Deadlocking latch
 - Latch by either lever unless outside lever is locked by push/turn button in inside lever
 - Push button released by key outside or lever inside
 - Turn button must be released manually
 - Key retracts latch when outside lever is locked
 - **ANSI/BHMA F109**

37* Classroom

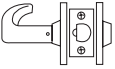
- 7G37**
- 
- Deadlocking latch
 - Latch by either lever unless outside lever is locked by key
 - Key in outside lever locks or unlocks outside lever and retracts latch
 - Inside lever always operative
 - **ANSI/BHMA F84**

Non-Cylinder Functions

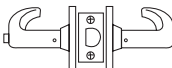
15 Passage

- 7U15**
- 
- Latch by either lever
 - **ANSI/BHMA F75**

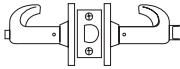
15-3 Exit or Communicating

- 7G15-3**
- 
- Deadlocking latch
 - Blank rose outside
 - Latch by lever inside
 - Minimum clearance of 2" required between doors

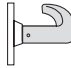
65* Privacy/Bathroom

- 7U65**
- 
- Latch by either lever unless outside lever is locked by push button in inside lever
 - Turning inside lever or closing door releases button
 - Emergency button in outside lever unlocks, with use of a blade screw driver in outside lever and releases inside button
 - **ANSI/BHMA F76**

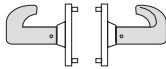
68* Hospital Privacy

- 7U68**
- 
- Latch by either lever unless outside lever is locked by push button in inside lever
 - Turning inside lever or closing door releases button
 - Rotating thumbturn in outside lever unlocks the outside lever and releases the inside button

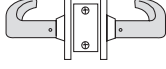
93 Single Lever Pull

- 7U93**
- 
- For wood or custom hollow metal doors
 - Lever and rose attached by two through-bolts and two surface applied screws
 - Requires special door preparation — see template

94 Double Lever Pull

- 7U94**
- 
- For wood or custom hollow metal doors
 - Lever and rose both sides by two through-bolts and four surface applied screws
 - Requires special door preparation — see template

94-2 Double Lever Pull

- 7U94-2**
- 
- Lever and rose attached by two through-bolts and four surface applied screws
 - Dummy latch plate
 - Requires special door preparation — see template

*Freewheeling Locked Lever Option (FW)

- Available the following functions 04, 05, 37, 65 & 68
- Provides protection from vandalism and added security
- Stops in rose prevent the lever from traveling beyond 60° in either direction

Note: Shaded lever indicates it is rigid at all times

Cylinders

7 Line Cylindrical Lever Locks

Cylinders

- Finishes: 04, 15, BSP

Type	Pins	Standard Cylinder	Hotel Cylinder	Interchangeable Core [^]	
				Large Format	Small Format
Conventional	6	C10-1	C10-2	6300	7300B
	7	N/A	N/A	N/A	7P-7300B
Signature	6	10-C10-1	N/A	10-6300	N/A
XC	6	11-C10-1	N/A	11-6300	N/A
	7	N/A	N/A	N/A	11-7P-7300B
Keso	12	F1-81-C10-1	N/A	N/A	N/A
Degree [®] DG1	6	DG1-C10-1	DG1-C10-2	DG1-6300	N/A
Degree [®] DG2	6	DG2-C10-1	N/A	DG2-6300	N/A
Degree [®] DG3	6	DG3-C10-1	N/A	DG3-6300	N/A

All cylinders are supplied with 2 nickel silver change keys.
When cylinders are ordered keyed to 5 pin systems, the (6th) last chamber will be empty.

Cylinders are supplied 1 bitted unless specified keyed random or master keyed. For master keyed orders provide keying details as requested on SARGENT Keyed Order Lead Sheets, located in the price book or contact customer service.

To order cylinders separately, specify part number x keyway x finish (i.e. C10-1 x LA x 15)

[^]Locks will be provided with the applicable tailpiece per the type interchangeable and/or removable core being used.

For example standard cores and Degree[®] cores require different tailpieces. When ordering complete locks, the appropriate option code must be specified in accordance to the permanent core being used. See pages 11-12 for cylinder options.

Cylinders with Competitive Keyways

Competitive Keyway	Part Number
Schlage [®] C	SC-C10-1
Schlage [®] E	SE-C10-1

All cylinders are 6-pin, 0-bitting and supplied with two brass key blanks. Cylinders include tail piece.

Refer to Cylinders and Components catalog for more information.

Interchangeable Core Tailpieces (replacement parts)

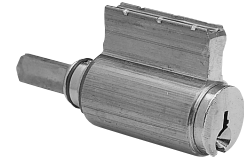
Used with:	Type	P/N
6300	LFIC Conventional	10-0239
10-6300	LFIC Signature	
11-6300	LFIC XC	10-3429
DGX-6300	LFIC Degree [®]	
7300B	SFIC 6Pin	10-0239
7P-7300B	SFIC 7 Pin	10-0240
11-7P-7300B	SFIC XC	10-3138

Note: Tailpieces included with lock.

Levers That Accept Cylinders/Cores from Other Manufacturers*

Cylinder Type	Option Code Ordered with Lock	Available Levers	Tailpiece P/N (provided with lock)	Competitor Cylinder Compatibility
Fixed Core				
Schlage [®] 6-pin	30-	All	N/A	Schlage [®] Conventional or Primus [®]
Interchangeable Core				
SFIC 6- or 7-pin	70-, 72-, 73-	G, L, B, P, Y	10-0239 (6-pin) 10-0240 (7-pin)	All 6- or 7-pin small format interchangeable cores
Schlage [®] LFIC 6-pin	SF-	L	10-3428	All Schlage [®] 6-pin large format interchangeable cores

*Cylinder/core not included.



C10-1



6300



7P-7300B

Latches

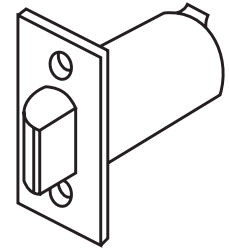
7 Line Cylindrical Lever Locks

Latches

- Finishes: 03, 04, 09, 10, 10B, 10BE, 10BL, 20D, 32D, BSP, WSP

Plain/Unguarded Latch - 7U15, 7U65, 7U68:

Part No.	Front	Front Width	Backset	Throw
07-2433	Square Corner	1" (25mm)	2-3/8" (60mm)	1/2" (13mm)
07-2432	Square Corner	1-1/8" (29mm)	2-3/4" (70mm)	1/2" (13mm)

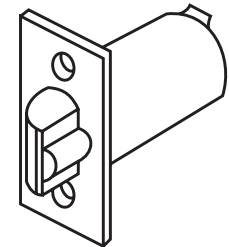


Plain/Unguarded

Deadlocking/Guarded Latch - All Other Functions:

Part No.	Front	Front Width	Backset	Throw
07-2431	Square Corner	1" (25mm)	2-3/8" (60mm)	1/2" (13mm)
07-2430	Square Corner	1-1/8" (29mm)	2-3/4" (70mm)	1/2" (13mm)

*04/26D finish only



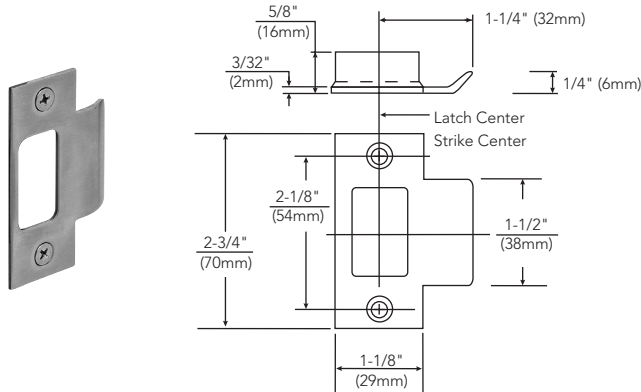
Deadlocking/Guarded

When ordering latches separately, specify Part No. x Finish (e.g., 07-2340 x 26D)

Strikes

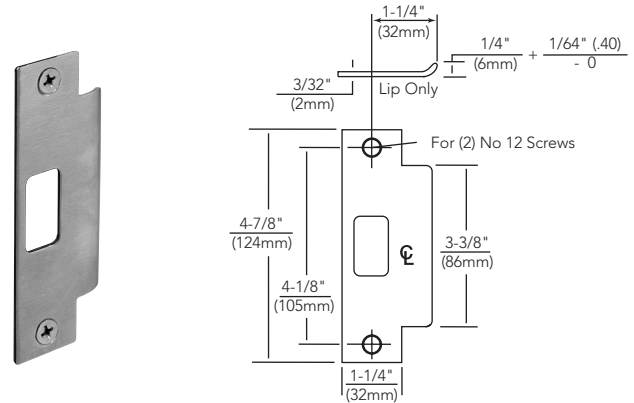
- Finishes: 03, 04, 09, 10, 10B, 10BE, 10BL, 20D, 32, 32D, BSP, WSP

2-3/4" Curved Lip Strike – Standard



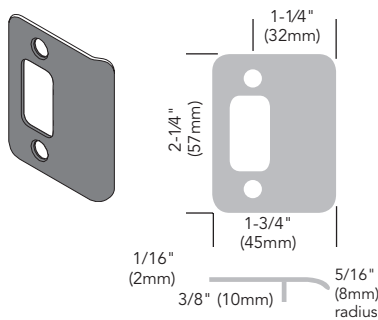
- Brass, bronze or stainless steel
- Furnished standard with 1-1/4" (32mm) curved lip from center of strike screw holes to end of lip
- Lip lengths 1" (25mm), 1-1/4" (32mm) standard, 1-1/2" (38mm), 1-3/4" (44mm) and 2" (51mm)
- Plastic strike box AM-0044 included
- To order strike separately, specify 800 strike x finish x lip length

4-7/8" Curved Lip Strike: (28-Option)



- Brass, bronze or stainless steel
- Conforms to ANSI standard
- Furnished standard with curved lip 1-1/4" (32mm) from center of strike screw holes to end of lip
- Lip lengths: 7/8" (22mm), 1-1/8" (29mm), 1-1/4" (32mm), 1-3/8" (35mm), 1-5/8" (42mm), 1-7/8" (48mm), 2-1/8" (54mm), 2-3/8" (60mm), 2-5/8" (66mm), 2-7/8" (73mm) and 3" (76mm)
- 77-1141 Wrought strike box available separately
- To order strike separately, specify 808 strike x finish x lip length

2-1/4" Full Lip Strike (14- Option)



- Furnished standard with curved lip 1-1/4" (32mm) from center of strike screw holes to end of lip
- No other lip lengths available
- To order strike separately, specify: 505 strike x finish

ANSI Wrought Strike Box



- Used with ANSI 4-7/8" strike (#808)
- To order with lock, specify option WBS
- To order separately, specify 77-1141

Mechanical & Cylinder Options

7 Line Cylindrical Lever Locks

Mechanical Options:

Thin Doors	1-	Mounting kit for 1-3/8" thick doors (2-3/4" backset latch with 1-1/8" front provided unless 20- option for 2-3/8" backset also specified)
Backset Options	20-	2-3/8" Backset Latch with 1" Front, includes shim kits to fit 1-3/8" door
Strike	14-	505 Full Lip Strike
	28-	Strike #808. Lip length 1-1/4". Lip lengths 1-5/8" to 2-7/8" in 1/4" increments only
Security Fasteners	36-	Six lobe security head screws
	37-	Spanner head screws
Lead lined	74-	Lead lined (specify components for inside, outside and/or latch tube)
Tactile Warning Options	75-	Tactile Warning — Handicap warning milled on backside of inside lever
	76-	Tactile Warning — Handicap warning milled on backside of outside lever
	77-	Tactile Warning — Handicap warning milled on backside of both levers
	85-	Tactile Warning — Abrasive coating on inside lever
	86-	Tactile Warning — Abrasive coating on outside lever
Freewheeling Trim	87-	Tactile Warning — Abrasive coating on both levers
	FW-	Freewheeling locking levers (See page 6 for details)
Finish Protection	SG-	MicroShield® antimicrobial clear powder coat (only available with 15 and 26D finishes)
	CPC-	Clear Powder Coat over 26D – 7G05 x LL x 26D x CPC.
Box Strike	WBS-	Wrought Box Strike

Cylinder Options:

Conventional Cylinder	-	SARGENT Conventional Cylinders supplied Standard (nomenclature not required)
Degree Key System	DG1-	SARGENT Degree Key System Level 1 (bump resistant with patented keys)
	DG1-21-	Degree Level 1 Construction Master Keying
	DG1-60-	Degree Level 1 Removable Disposable Construction Core
	DG1-63-	Degree Level 1 Removable Core
	DG1-64-	Degree Level 1 Removable Construction Keyed LFIC
	DG1-65-	Degree Level 1 Unassembled/Uncombined Fixed Core Component Cylinder (packed loose for field keying)
	DG1-63-65	Degree Level 1 Unassembled/Uncombined Removable Core LFIC (packed loose for field keying)
	DG2-	SARGENT Degree Key System Level 2 (geographically exclusive; bump and pick resistant)
	DG2-21-	Degree Level 2 Construction Master Keying
	DG2-60-	Degree Level 2 Removable Disposable Construction Core
	DG2-63-	Degree Level 2 Removable Core
	DG2-64-	Degree Level 2 Removable Construction Keyed LFIC
	DG2-65-	Degree Level 2 Unassembled/Uncombined Fixed Core Component Cylinder (packed loose for field keying)
	DG2-63-65	Degree Level 2 Unassembled/Uncombined Removable Core LFIC (packed loose for field keying)
	DG3-	SARGENT Degree Key System Level 3 (geographically exclusive; UL437 certified; bump and pick resistant)
	DG3-21-	Degree Level 3 Construction Master Keying
DG3-60-	Degree Level 3 Removable Disposable Construction Core	
DG3-63-	Degree Level 3 Removable Core	
DG3-64-	Degree Level 3 Removable Construction Keyed LFIC	
Signature Key System	10-	SARGENT Signature Key System
	10-21-	SARGENT Signature Construction Key System (Lost Ball)
Signature: Large Format Interchangeable Core (Removable Core)	10-63-	SARGENT Signature LFIC (Removable Core) Cylinder
XC- Key System	11-	XC- Key System (not available with other Key Systems, unless specified)
	11-21-	XC- Construction Key System (Lost Ball)
XC- Large Format Interchangeable Core (Removable Core)	11-60-	Hardware to accept XC- Permanent LFIC (Removable Core), Disposable plastic Core- provided
	11-63-	Hardware provided with XC- LFIC (Removable Core) Cylinder - (includes masterkeying, grand masterkeying)
	11-64-	Hardware provided with Keyed construction core to accept XC- LFIC (removable) Permanent Core (ordered separately)
XC- Small Format Interchangeable Cores	11-70-7P-	Lock to accept XC- SFIC (7-Pin) XC- Permanent Cores, plastic disposable core provided
	11-72-7P-	Lock to accept XC- SFIC (7-Pin Keyed Construction Core provided) cylinder Permanent Core ordered separately
	11-73-7P-	Lock supplied with XC- Small Format 7-Pin interchangeable core (includes masterkeying, grand masterkeying)
	11-65-73- 7P-	Lock provided to accept XC- Uncombined 7-Pin SFIC (permanent) Core - (packed loose)

Note: Cylinder Options continued on the following page

Experience a safer
and more open world

1-800-727-5477 • www.sargentlock.com

Mechanical & Cylinder Options

7 Line Cylindrical Lever Locks

Cylinder Options:

Construction Key Systems	21-	SARGENT Lost Ball Construction Keying for Conventional, XC and Signature Series (N/A with 63- or 73-)
	22-	SARGENT Construction Split Key System for Conventional Cylinders (existing systems only) (N/A with 10-, 11-, 63- or 73-)
Large Format Interchangeable Core (Removable Core)	60-	Hardware to accept SARGENT Permanent LFIC (Removable Core), Disposable plastic Core provided (Permanent Cores Ordered Separately)
	63-	Hardware provided with LFIC (Removable Core) Cylinder - (includes masterkeying, grand masterkeying)
	64-	Hardware provided with Keyed construction core to accept LFIC (Removable) Permanent Core (ordered Separately)
Small Format Interchangeable Cores	70-	Lock to accept 6- or 7-Pin SFIC Permanent Cores, plastic disposable core provided
	72-	Lock to accept 6- or 7-Pin SFIC (Keyed Construction Core provided) Cylinder (Permanent Core ordered separately)
	73-	Lock supplied with 6-Pin SFIC (Includes masterkeying, grand masterkeying)
	65-73-	Lock provided to accept Uncombined 6-Pin SFIC (Permanent) Core - (packed loose for field keying)
	65-73-7P-	Lock provided to accept Uncombined 7-Pin SFIC (Permanent) Core - (packed loose for field keying)
Keso & Keso F1	73-7P-	Lock supplied with Small Format 7-Pin Interchangeable Core (includes masterkeying, grand masterkeying)
	80-	Lock to accept Keso and Keso F1 cylinders - no cylinders provided
	82-	Lock provided with SARGENT Keso Security Cylinder
	F1-82-	Lock provided with SARGENT Keso F1 Security Cylinder (Patented)
Bump Resistant	BR-	Bump Resistant Cylinder (available with Conventional & Conventional XC Cylinders only)
Keyed Different	KD-	Cylinders provided keyed differently/random
Less Cylinder	LC-	Lock supplied less Cylinder
Schlage Keyways	SC-	Schlage C keyway cylinder, 0 bitted
	SE-	Schlage E keyway cylinder, 0 bitted
Accepts Schlage Cylinders	30-	Lever to accept Schlage Cylinder-Cylinder is not provided
	SF-	L Lever to accept Schlage Large Format Interchangeable Core (supplied less core, tailpiece included)

Note: To order the 7 Line lock for use with ASSA V-10 (VA & VS) cylinders, specify the Less Cylinder (LC-) option. V-10 cylinders are available from ASSA, Inc. @ 800-235-7482

Finishes, Packaging

7 Line Cylindrical Lever Locks

Finish	Descriptions	ANSI/BHMA
03	Polished brass, clear coated	605
04	Satin brass, clear coated	606
09	Polished bronze, clear coated	611
10	Satin bronze, clear coated	612
10B	Oxidized bronze, oil rubbed	613
10BE	Dark oxidized satin bronze — equivalent	613E
10BL	Oxidized satin, bronze, clear coated	614
14	Polished nickel, clear coated	618
15	Satin nickel, clear coated	619
20D	Statuary dark bronze, clear coated	624
26	Polished chrome	625
26D	Satin chrome	626
BSP	Black Suede Powder Coat	—
WSP	White Suede Powder Coat	—
SG- Option	MicroShield® antimicrobial clear powder coat (only available with 15 and 26D finishes)	
CPC- Option	Clear Powder Coat over 26D – 7G05 x LL x 26D x CPC	
<p>Zinc levers are plated to match ANSI/BHMA finish. Custom colors available, consult factory. Split finishes:</p> <ul style="list-style-type: none"> • Specify outside finish first i.e. 7G05 x LL x 26D x 03 x RH • Handing must be specified • Strike and latch front will match the following: RH & LH = inside finish RHR & LHR = outside finish 		

Lock Finish	Cylinder/Core*
03, 04, 09, 10, 10B, 10BE, 10BL, 20D	04
14, 15, 26, 26D, WSP	15
BSP	BSP

*Finish when cylinder provided with lock

Packaging

7G04 x LL
4.3 lbs (1.95 kg)
1 box
41 lbs (18.6 kg)
10 boxes/case

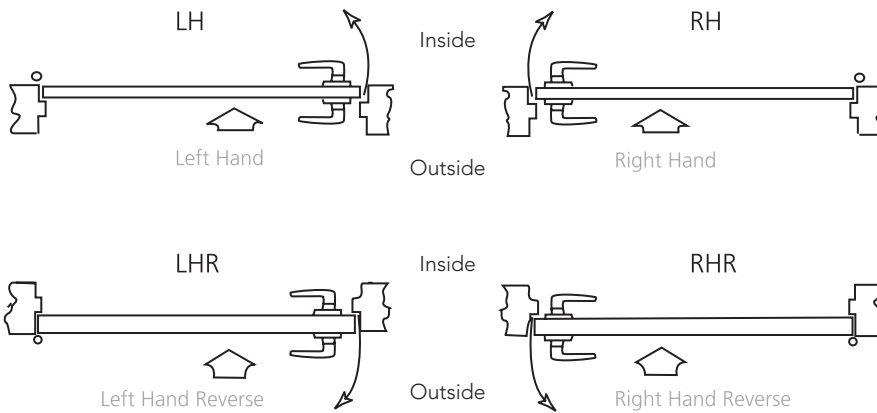
How to Order, Miscellaneous Parts

7 Line Cylindrical Lever Locks

10	10-28-	7G05	L	Y	RH	15	AA1
Quantity	Options*	Lock & Function	Rose	Lever	Hand	Finish	Additional Information
	Available Options Pg 11-12 (Note: 28- for 808 ANSI Strike)	Available Functions Pg 7	Only Available with the L Rose	Available Levers B, Y, L, P & G	RH, LH, RHR, LHR	Available Finishes Pg 13	Such as Item, Heading Number, Door Number, Keyset

* Multiple Options may be selected

How to Specify Handing



Miscellaneous Parts

Part No.	Description
07-2648	1-3/8" Door Mounting Kit (1- & 20- Options)
01-0949	30-option, washer only
C10-3	Emergency release cylinder (65 function)
10-0043	Push pin tool
10-2052	Screw pack (standard)
10-2070	Screw pack (28- option)
82-3855	6 lobe bit pack 6 bits (Sizes – T8, T9, T10, T15, T20, T25, T27) Requires 9/32" driver
82-3856	Spanner bit pack 5 bits (Sizes – 6, 8, 10, 12, 14) Requires 1/4" driver

Copyright © 2007-2022, Sargent Manufacturing Company, an ASSA ABLOY Group company. All rights reserved. Reproduction in whole or in part without the express written permission of Sargent Manufacturing Company is prohibited.

Architectural Specifications

7 Line Cylindrical Lever Locks

Suggested Architectural Specifications - 2.0 Bored Locks

- A. Locks shall be 7 Line as manufactured by SARGENT Manufacturing Company, New Haven, CT.
- B. Locks must be certified ANSI/BHMA A156.2 Series 4000, Grade 2
- and shall meet or exceed the cycle requirements of ANSI/BHMA A156.2 Series 4000, Grade 2 with all standard trims.
- C. Locks shall be non-handed with bi-directional lever operation, except the "G" and "Y" lever designs.
- D. Lock levers shall be made of solid material.
- E. Lock shall be available in a minimum of five lever designs.
- F. Locks shall comply with UL10C positive pressure requirements.
- G. Locks required for fire doors shall be listed by Underwriters Laboratories for ratings of 3 hour (A label) and less.
- H. Locks shall mount in a standard 161 door prep (2-1/8 inch dia.) without additional through-bolt preps.
- I. Locks shall have a 2-3/4" (70mm) backset standard, with 2-3/8" (60mm) offered as an option.
- J. Strikes shall be non-handed with a curved lip. Provide wrought boxes with strikes.
- K. Locks shall have brass 6-Pin cylinder, standard.
- L. Provide two, nickel silver keys with each lock.
- M. Locks shall have a five year limited warranty.

The ASSA ABLOY Group is the global leader in access solutions. Every day, we help billions of people experience a more open world.

ASSA ABLOY Opening Solutions leads the development within door openings and products for access solutions in homes, businesses and institutions. Our offering includes doors, frames, door and window hardware, mechanical and smart locks. access control and service.



SARGENT Manufacturing Company
100 Sargent Drive
New Haven, CT 06511 USA
800-727-5477
www.sargentlock.com

Founded in the early 1800s, SARGENT® is a market leader in locksets, cylinders, door closers, exit devices, electro-mechanical products and access control systems for new construction, renovation, and replacement applications. The company's customer base includes commercial construction, institutional, and industrial markets. Copyright © 2007-2022, Sargent Manufacturing Company, an ASSA ABLOY Group company. All rights reserved. Reproduction in whole or in part without the express written permission of Sargent Manufacturing Company is prohibited. Patent pending and/or patent www.assaabloydss.com/patents.