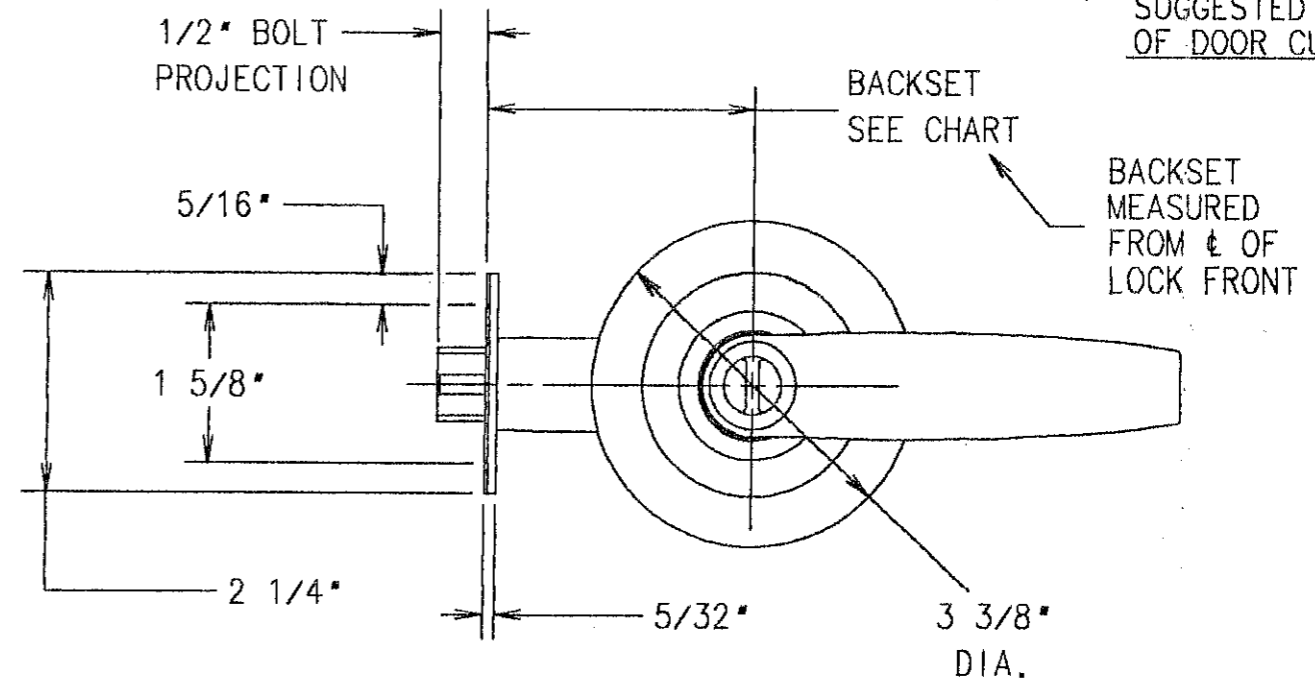
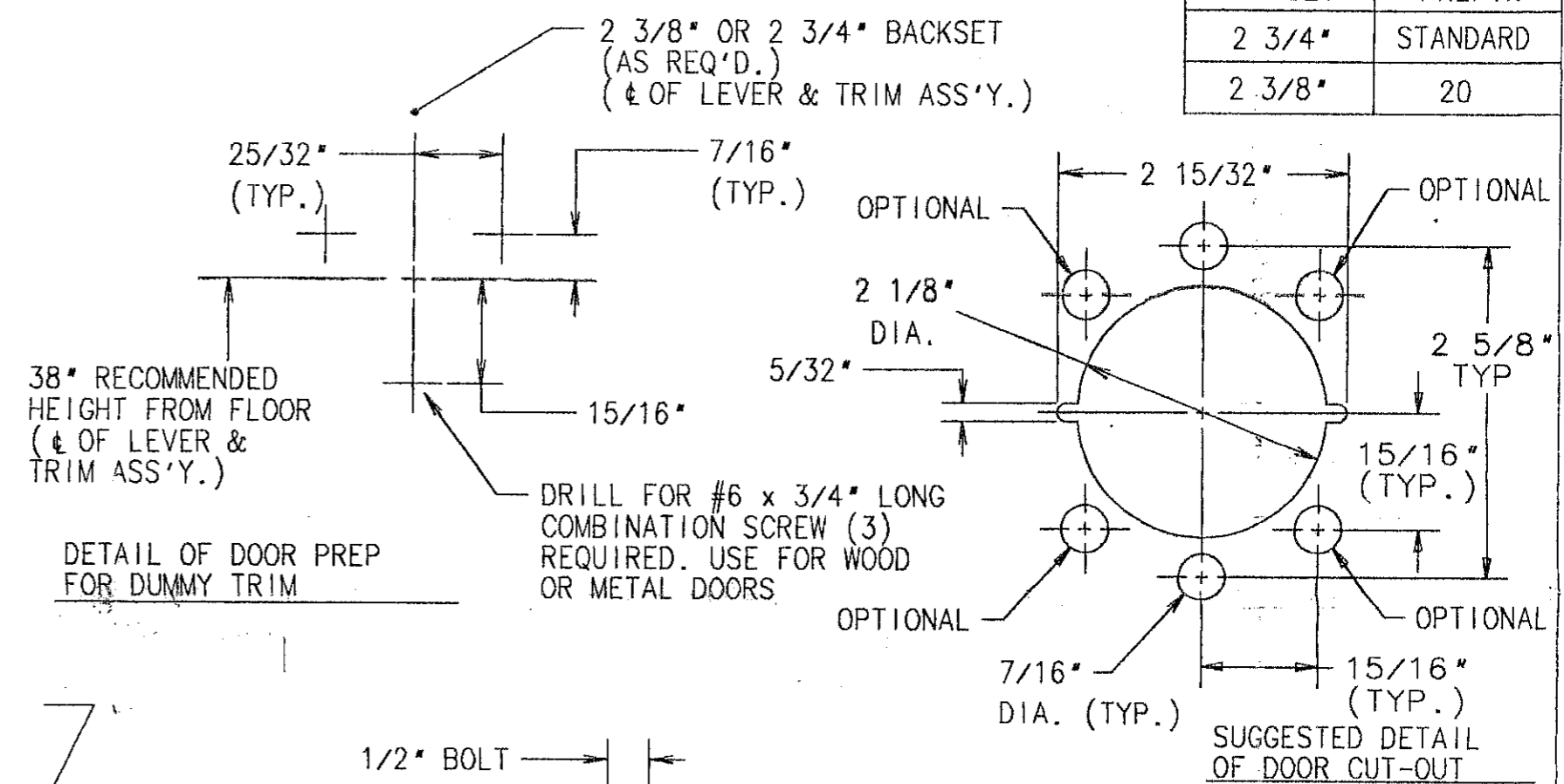
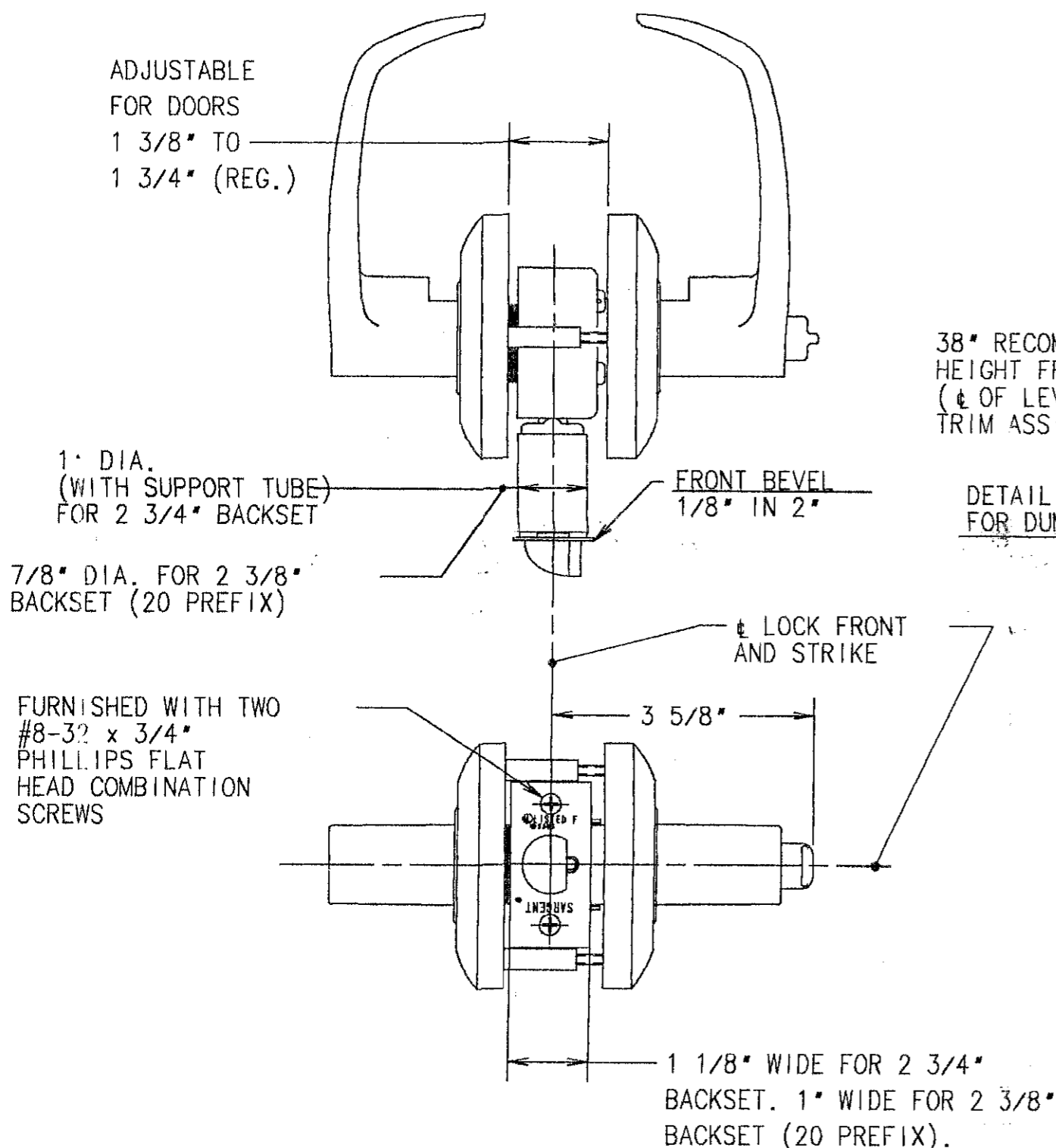


BACKSET	PREFIX
2 3/4"	STANDARD
2 3/8"	20



- ⑤ — FOR REGULARLY FURNISHED STRIKE, SEE STRIKE TEMPLATE NO. 4417.
- ④ — DIMENSIONS SHOWN ARE MAXIMUM PART DIMENSIONS.
- ③ — ALL FUNCTIONS COMPLETELY REVERSIBLE FOR RIGHT OR LEFT HAND REGULAR OR REVERSE BEVEL DOORS.
- ② — SAME MORTISING FOR ALL FUNCTIONS AND DESIGNS EXCEPT LEVER PULL DUMMY TRIM (SEE DOOR PREP ABOVE).
- ① — THE 2 3/4" BACKSET LOCK SHOULD BE PREPARED FOR CURRENT A.N.S.I. A115.2 STANDARD. MODIFY PREPARATION FOR 2 3/8" BACKSET LOCKS (20 PREFIX).

SARGENT & COMPANY	NEW HAVEN, CONN. 06511
TEMPLATE: 6500 LINE BORED LOCK	RELEASE DATE 5/14/99
	TEMPLET NO. 4430 B