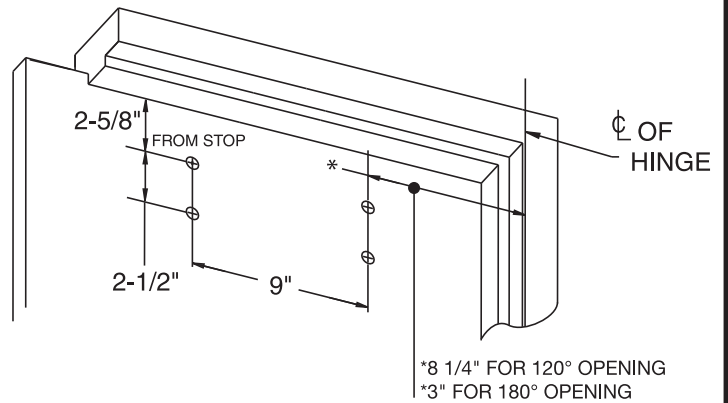
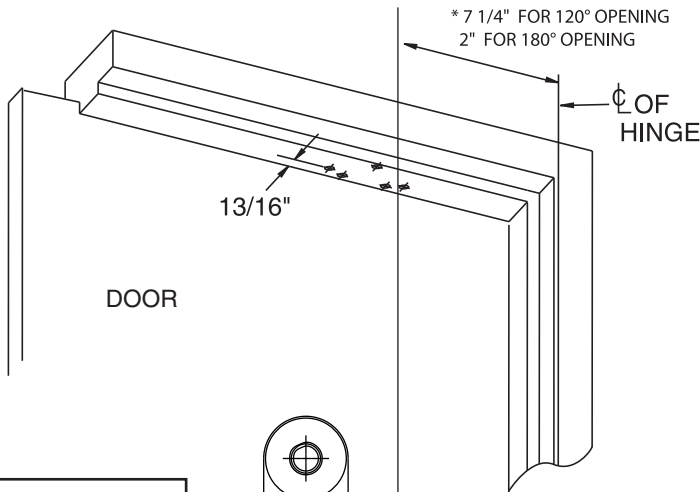


# 351 DOOR CLOSER WITH P10/PH10 HOLDER ARM INSTALLATION INSTRUCTIONS

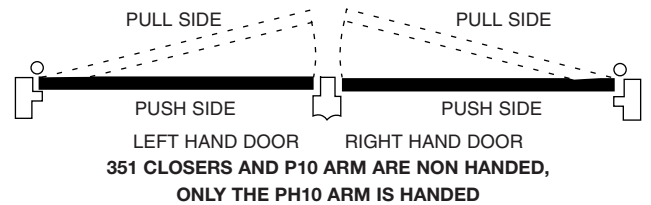
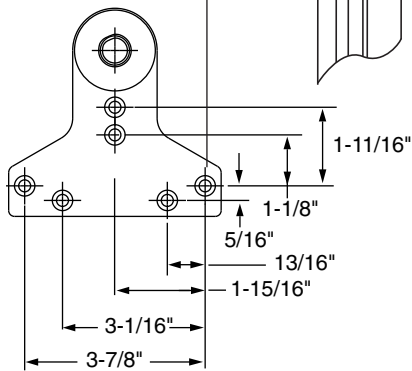
351 SERIES ADJUSTABLE FROM SIZE 1 THRU 6  
CAUTION: FAILURE TO INSTALL OR ADJUST PROPERLY MAY RESULT IN INJURY OR DAMAGE.  
FOR ASSISTANCE, CALL SARGENT AT 1-800-727-5477.



**1** LOCATE AND MARK HOLES USING FULL SIZE TEMPLATE OR MEASURE AS SHOWN BELOW.  
RIGHT HAND SHOWN, LEFT HAND OPPOSITE.

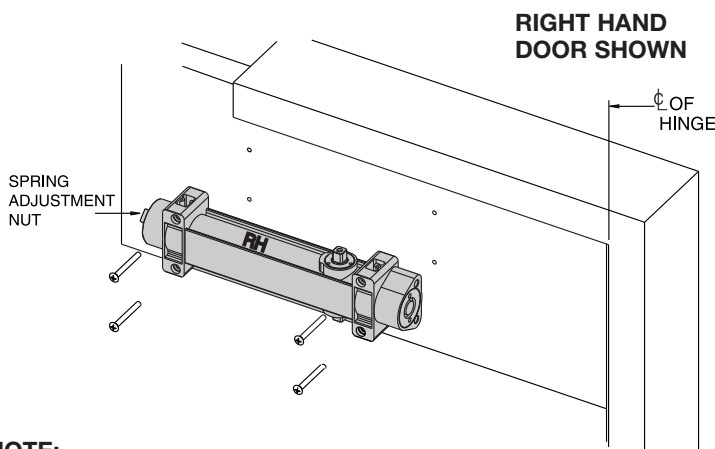


**IMPORTANT NOTICE**  
PRE-DRILL 3/32" HOLES FOR SELF-TAPPING SCREWS OR TAP #12-24 FOR MACHINE SCREWS



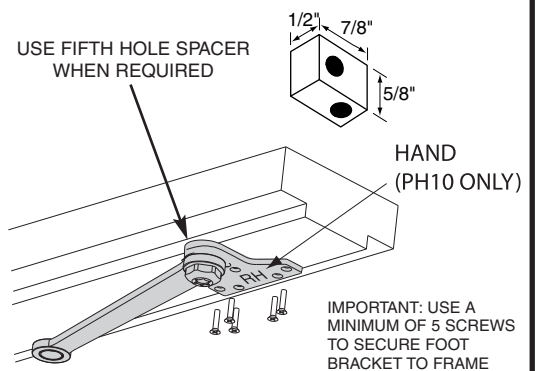
\* NOTE: FOR MAXIMUM POWER, INSTALL FOR 120° OPENING.  
FOR 180° OPENING, SEE TEMPLATE ON PAGE 4.

**2** INSTALL DOOR CLOSER TO DOOR WITH SPRING ADJUSTMENT NUT AWAY FROM HINGE.

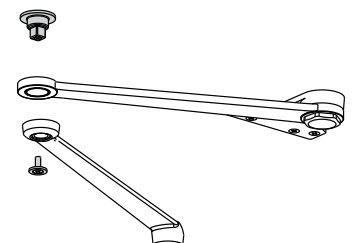


**NOTE:**  
351 CLOSER BODIES ARE NON-HANDED. IT IS IMPORTANT THAT THE CLOSER BODY IS INSTALLED WITH "RH" SYMBOL AT TOP FOR RIGHT HAND DOORS, "LH" SYMBOL AT TOP FOR LEFT HAND DOORS.

**3** ATTACH FOOT BRACKET TO DOOR STOP.



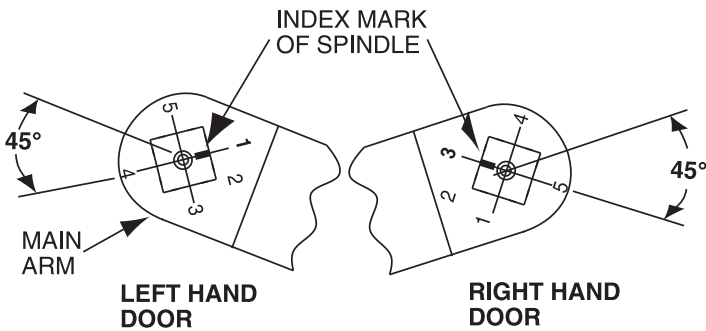
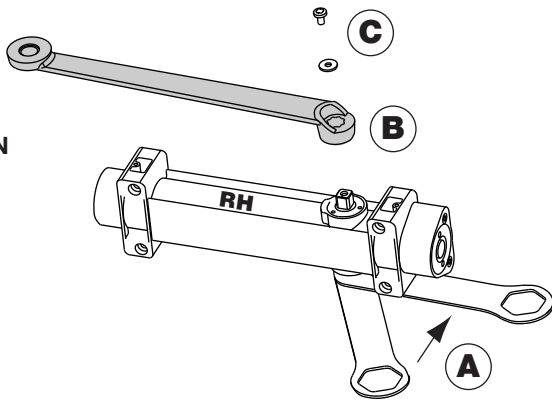
**3A** ALTERNATE: PREASSEMBLE ARM PRIOR TO ATTACHING TO STOP



Copyright © 1993, 1995, 2001, 2006, 2008 Sargent Manufacturing Company, an ASSA ABLOY Group company. All rights reserved. Reproduction in whole or in part without the express written permission of Sargent Manufacturing Company is prohibited.

- 4** \* A. ROTATE BOTTOM SPINDLE 45° WITH WRENCH  
 B. ASSEMBLE MAIN ARM WITH INDEX MARK POSITIONED AS SHOWN  
 C. SECURE WITH SCREW AND WASHER

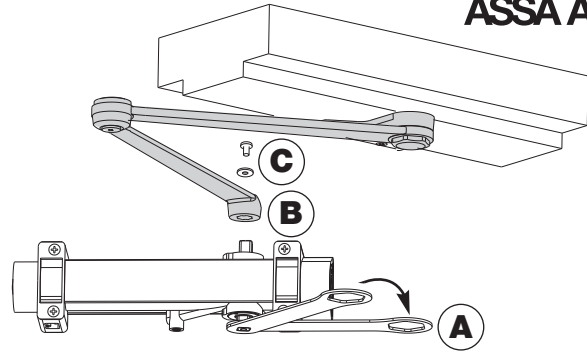
RH SHOWN  
 LH HAND  
 OPPOSITE



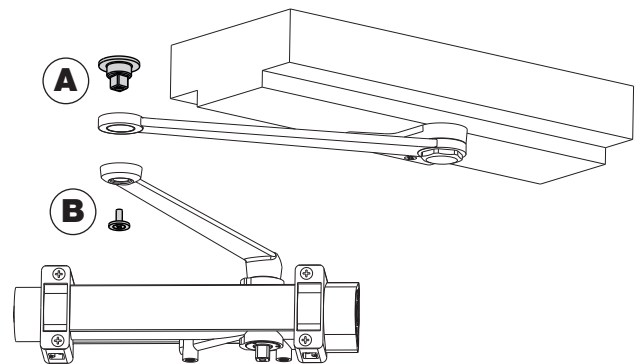
**!! WARNING: IF NOT PROPERLY INDEXED, DOOR CLOSER WILL NOT FUNCTION PROPERLY. !!**

- 4A** ALTERNATE METHOD:  
 ATTACH PREASSEMBLED ARM

**SARGENT**  
**ASSA ABLOY**

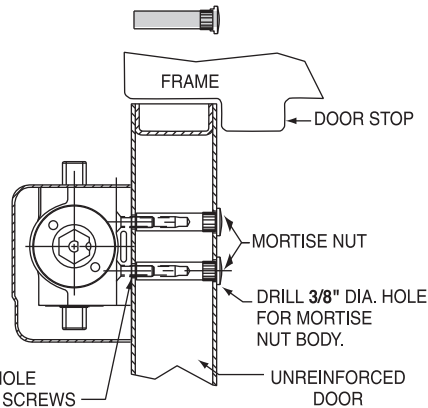


- 5** A. OPEN DOOR AND INSTALL PIVOT AS SHOWN  
 B. USE SCREW TO SECURE PIVOT AND ARMS AS SHOWN



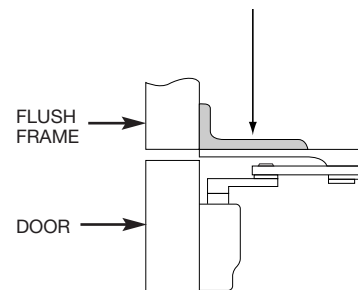
### ACCESSORIES

OPTIONAL: USE MORTISE NUTS (#4TB)  
 WHEN THRU-BOLTING IS REQUIRED.

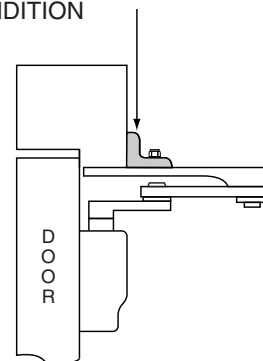


SEE PAGE 1  
 FOR  
 TEMPLATING  
 DIMENSIONS

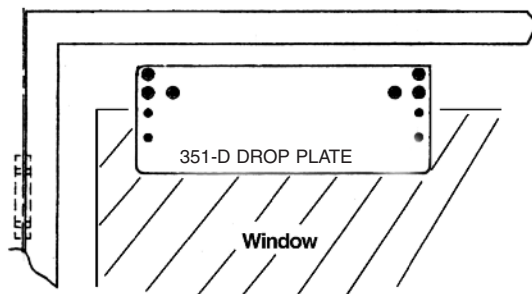
**125 VF BRACKET FOR FLUSH FRAME  
 AND DOOR CONDITION**



**125 V BRACKET FOR NARROW FRAME  
 CONDITION**



**351-D DROP PLATE USED WITH NARROW TOP RAILS**



6

**Adjusting Closing Speeds**

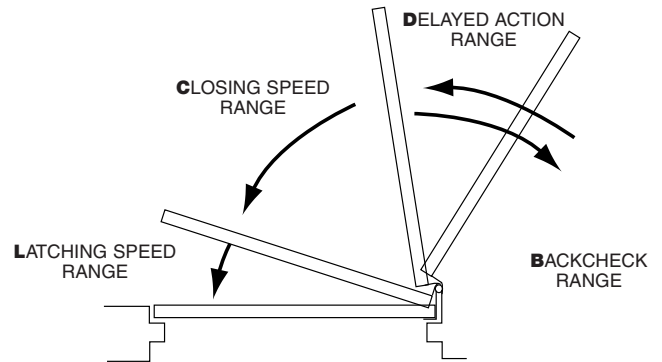
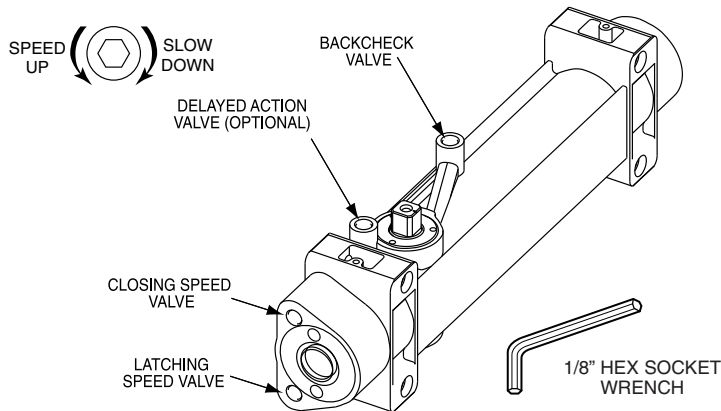
Adjust door speed and latching speed valves to achieve the desired closing time. Recommend 6 seconds minimum from 90° to the closed position.

If Backcheck is required, adjust valve to achieve a slight cushioning effect. Auxiliary stop required.

If closer is equipped with delayed action, regulate valve to achieve the desired delay.

**SARGENT**

**ASSA ABLOY**

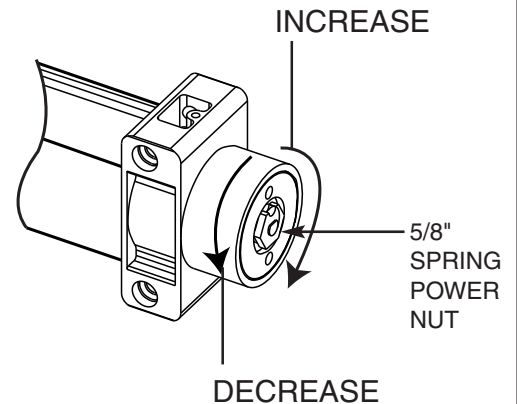


7 Adjust closing power to the minimum required to reliably close and latch door.

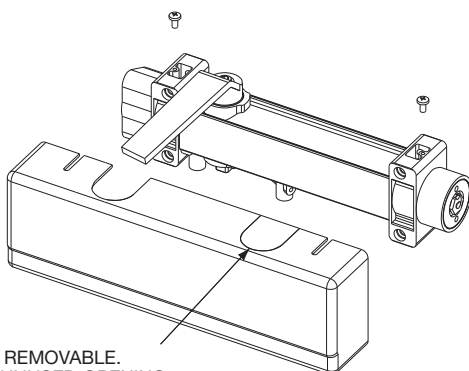
- If door is hard to open, decrease power slightly.
- If door does not latch, increase power as required.
- Use the chart as a starting point.
- Doors adjusted with high closing power to overcome strong draft conditions may exceed ADA standards.

**NUMBER OF TURNS OF SPRING POWER ADJUSTING NUT**

DOOR WIDTH (INCHES)	EXTERIOR DOORS	♿ INTERIOR DOORS
24-30	TURN nut 1-3 ↙	TURN nut 1-3 ↙
30-36	FACTORY SET	FACTORY SET
36-42	TURN nut 1-4 ↘	TURN nut 1-3 ↘
42-48	TURN nut 7-9 ↘	TURN nut 4-6 ↘



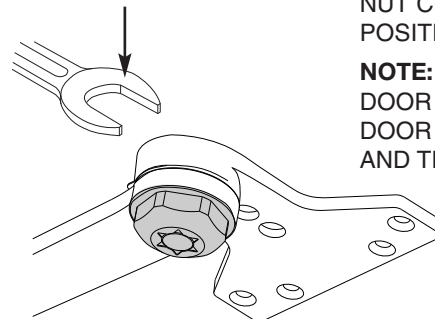
8 INSTALL COVER AS SHOWN



INSERT IS REMOVABLE. PLACE IN UNUSED OPENING

9 ADJUSTMENT OF HOLD OPEN ARM (PH10 ARM ONLY)

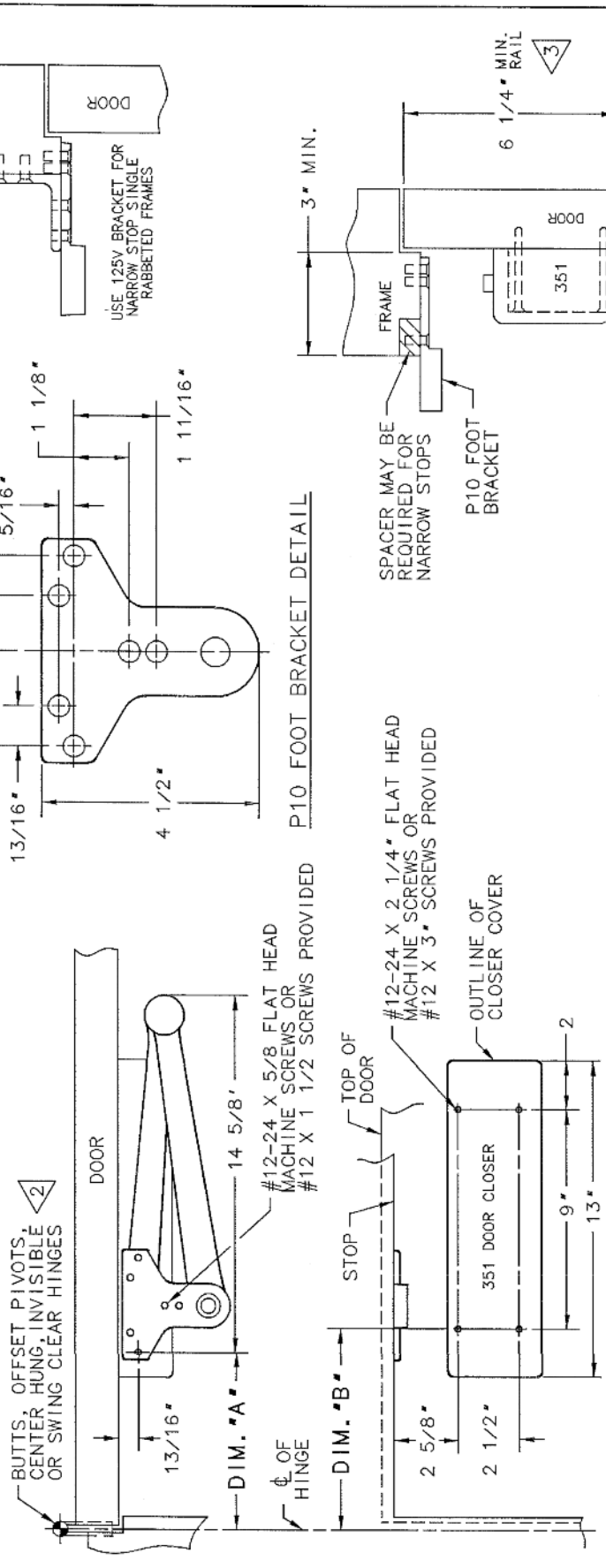
1-3/8" WRENCH



SLIGHT TIGHTENING OR LOOSENING OF HOLD OPEN NUT CHANGES HOLDING POSITION OF DOOR

**NOTE:** ALWAYS USE A DOOR STOP TO STOP DOOR PROTECTING WALL AND TRIM

MAX. DEG. OF OPENING	"A"	"B"
120°	7 1/4"	8 1/4"
180°	2"	3"



**P10 FOOT BRACKET DETAIL**

**SARGENT** Manufacturing Company  
100 Sargent Drive New Haven, CT 06511

RELEASE DATE: 11/11/08  
DRAWING NO.: 05  
TEMPLATE NO.: A7378 C

DATA SHEET: 351 SERIES DOOR CLOSER WITH P10 OR PH10 HEAVY DUTY PARALLEL ARM

- NOTES:**
1. REINFORCE METAL DOORS AND FRAMES PER ANSI A250-8 AND SDI-100 STANDARDS, 12 GAUGE RECOMMENDED.
  2. DIM. "A" AND "B" ARE TAKEN FROM THE EDGE OF THE DOOR FOR INVISIBLE HINGES.
  3. FOR THIN RAIL DOORS, USE 351-D PLATE, SEE TEMPLATE A6745.
  4. LEFT HAND DOOR SHOWN. RIGHT HAND OPPOSITE.