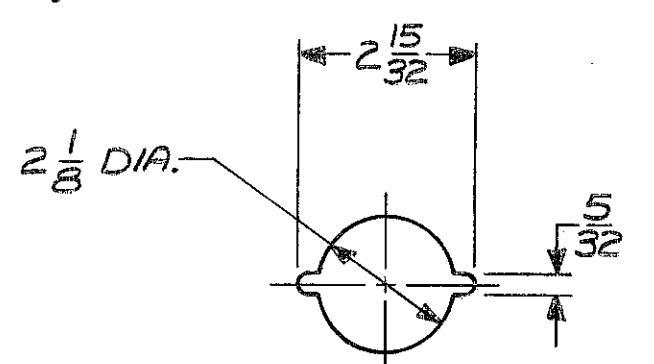
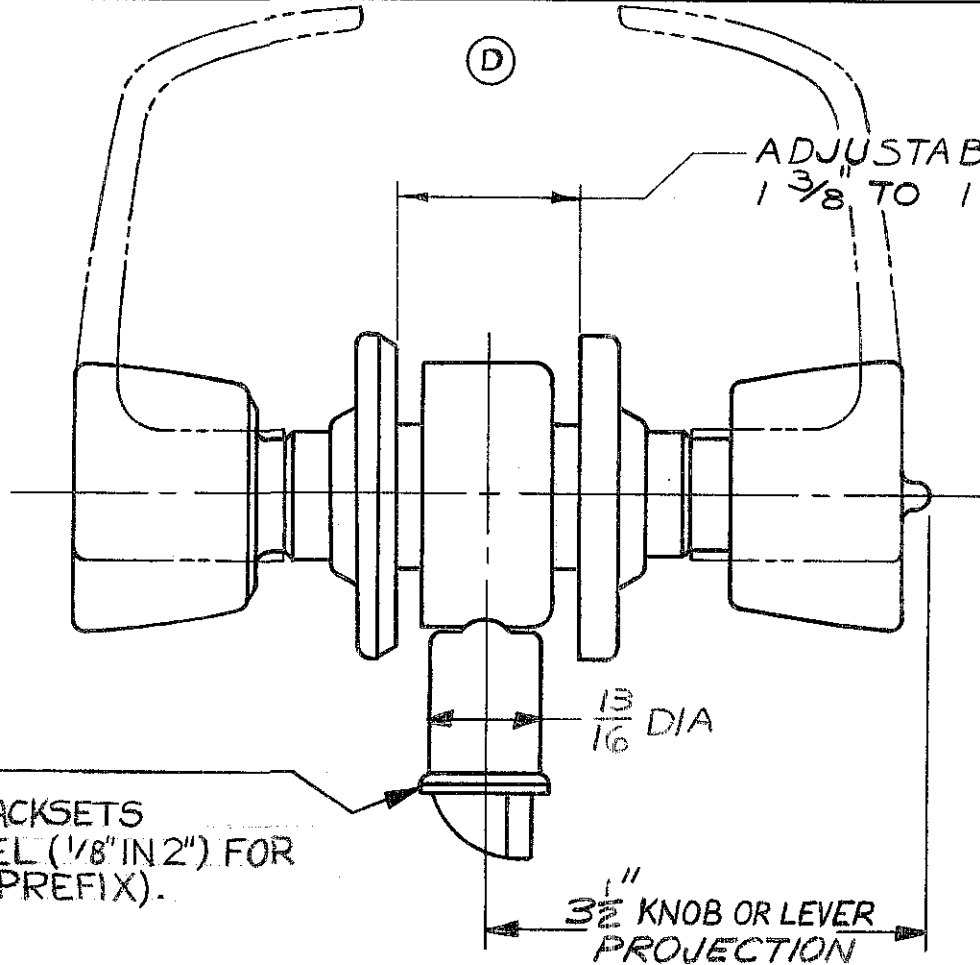
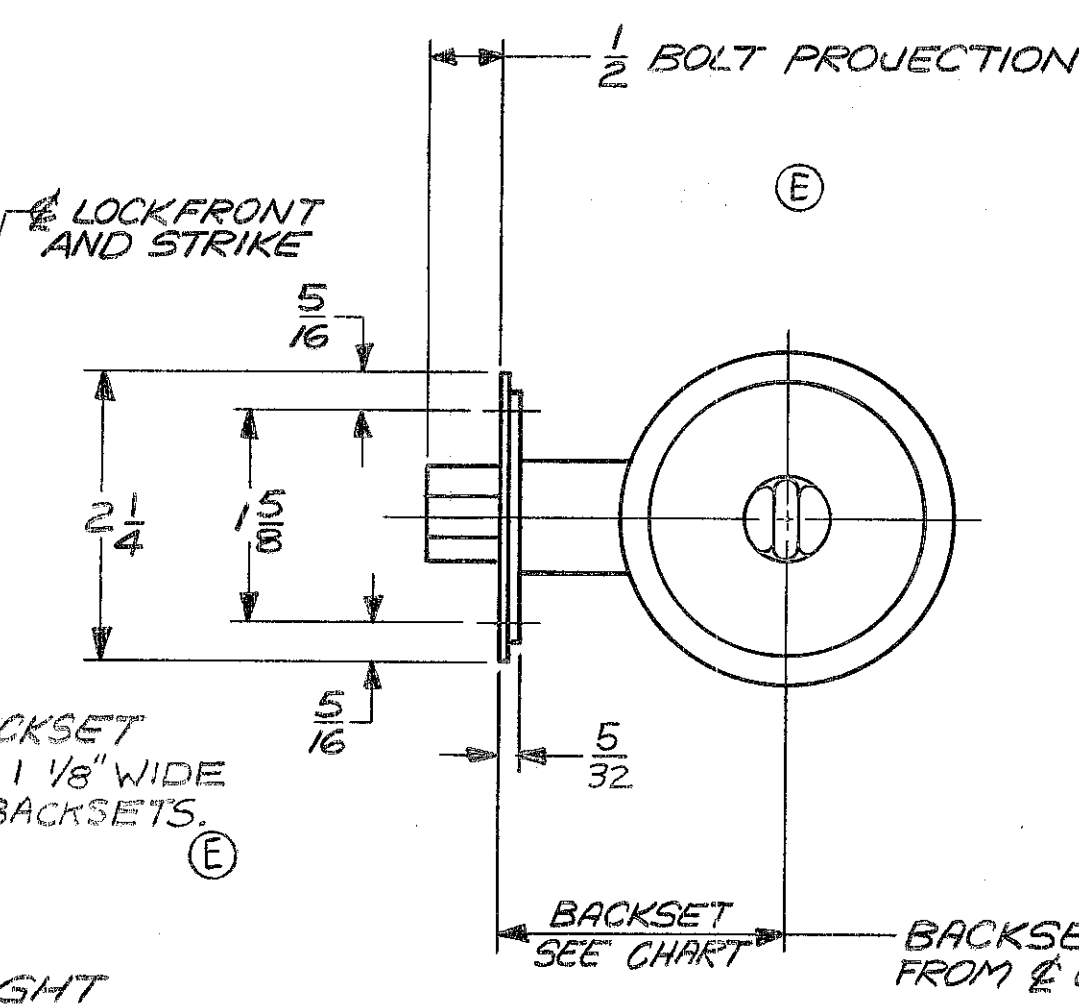
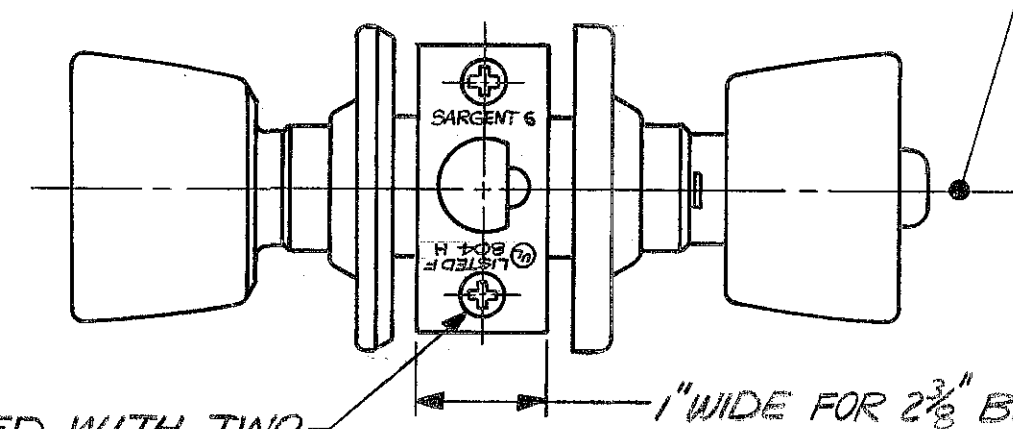


BACKSETS x PREFIX			
2 3/8"	2 3/4"	3 3/4"	5"
STANDARD	17 & 24	23	25



⑤ FLAT FRONT STANDARD FOR ALL BACKSETS EXCEPT FIXED BEVEL (1/8" IN 2") FOR 2 3/4" BACKSET (24 PREFIX).



FURNISHED WITH TWO #8-32 x 3/4" UNDERCUT HEAD COMB. SCREWS

1" WIDE FOR 2 3/8" BACKSET AND 17 PREFIX, 1 1/8" WIDE FOR 2 3/4", 3 3/4" & 5" BACKSETS.

- ⑤ — KNOB AND ROSE DIMENSIONS VARY BY DESIGN.
- ④ — DIMENSIONS SHOWN ARE MAXIMUM PART DIMENSIONS.
- ③ — ALL FUNCTIONS COMPLETELY REVERSIBLE FOR RIGHT OR LEFT HAND REGULAR OR REVERSE BEVEL DOOR.
- ② — SAME MORTISING FOR ALL FUNCTIONS AND DESIGNS EXCEPT KNOB PULL AND DUMMY TRIM.
- ① — THE 2 3/4" BACKSET LOCK FITS AND DOOR SHOULD BE PREPARED FOR CURRENT ANSI A15.2 STANDARD. MODIFY PREPARATION FOR 2 3/8", 3 3/4" & 5" BACKSET LOCKS.

SARGENT & COMPANY		NEW HAVEN, CONN. 06509	
TEMPLATE: 6 LINE BORED LOCK		RELEASE DATE 29 MAR 89	TEMPLET NO. 4252 E