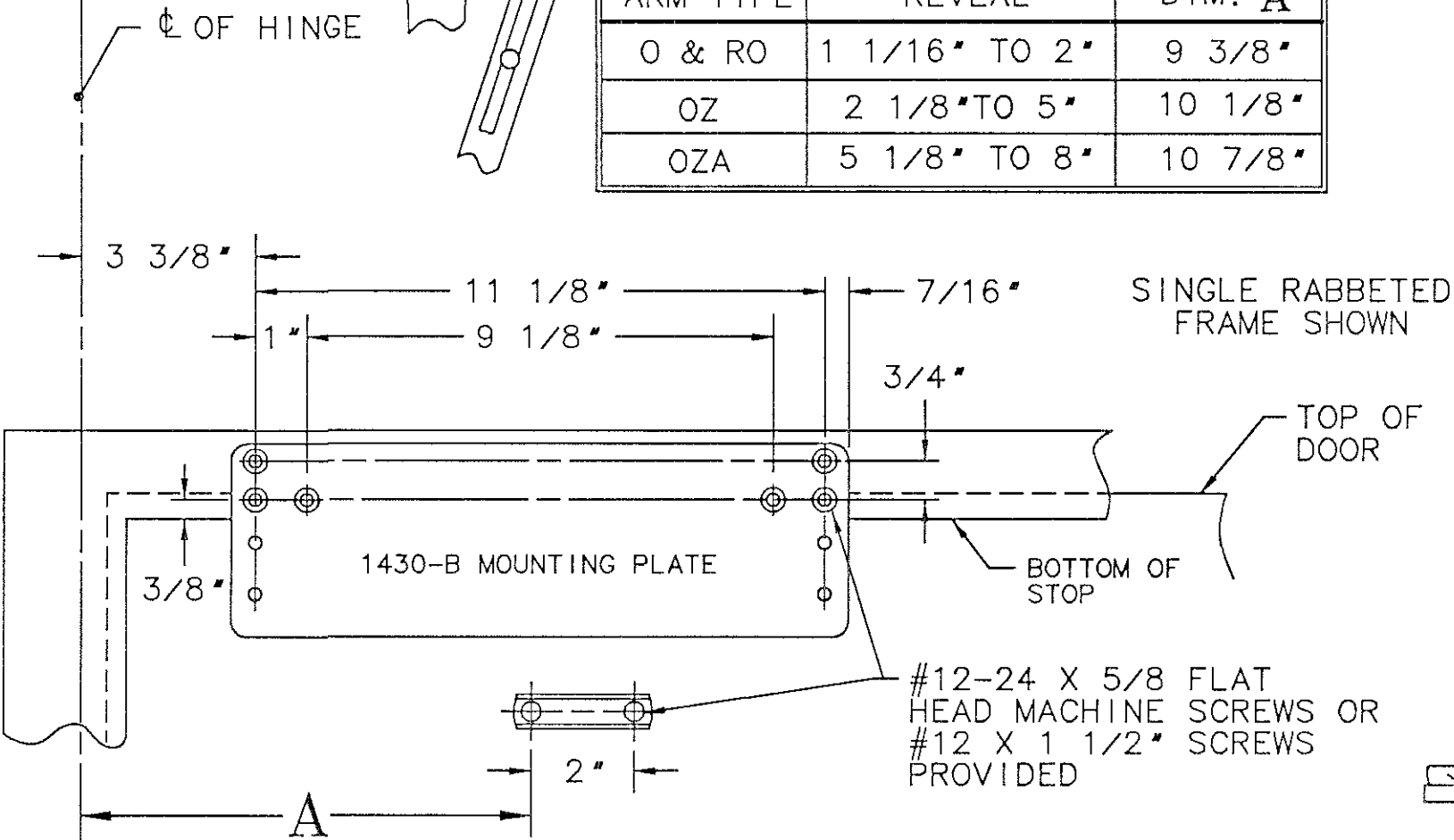
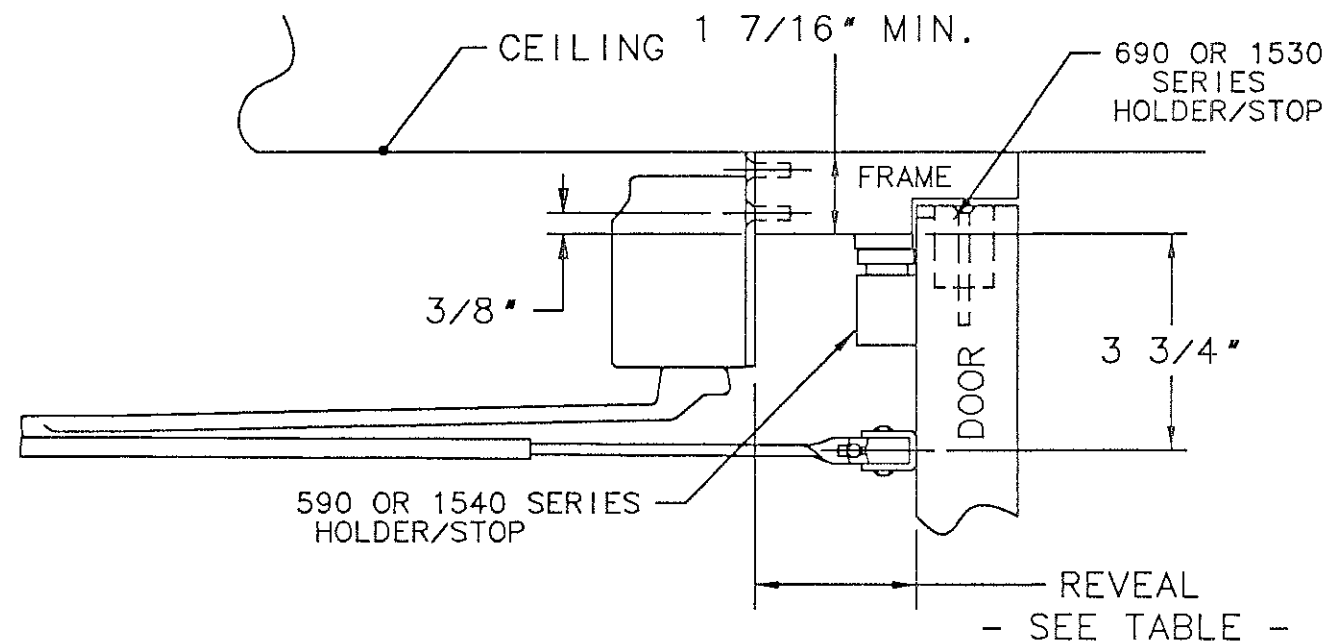


ARM TYPE	REVEAL	DIM. A
O & RO	1 1/16" TO 2"	9 3/8"
OZ	2 1/8" TO 5"	10 1/8"
OZA	5 1/8" TO 8"	10 7/8"

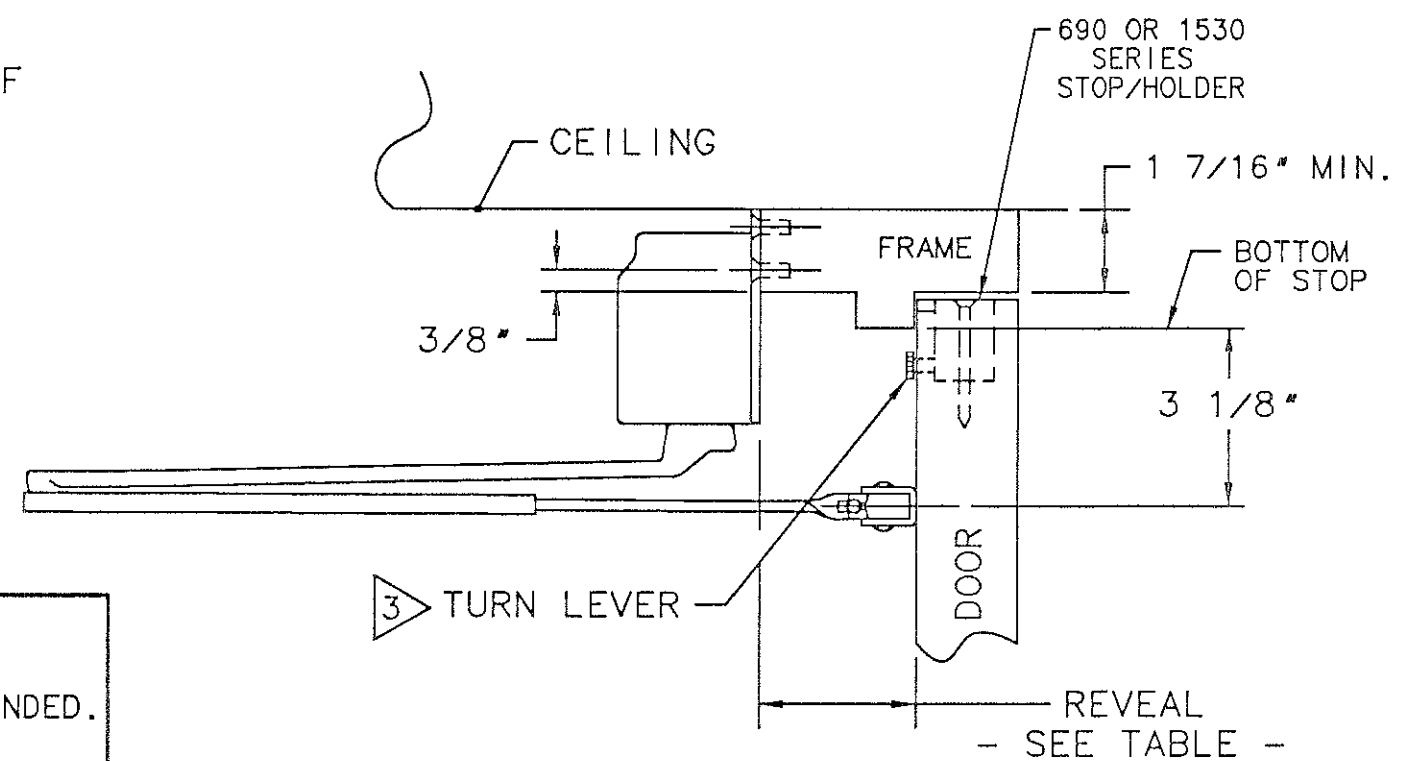


NOTES

1. REINFORCE METAL DOORS AND FRAMES PER ANSI A250.8 & SDI-100, 12 GAUGE RECOMMENDED.
2. LEFT HAND DOOR SHOWN, RIGHT HAND OPPOSITE.
3. TURN LEVER USED WITH 590 & 690 SERIES HOLDERS ONLY, THE 690 TURN LEVER MAY BE INSTALLED ON EITHER SIDE OF DOOR.
4. FOR 1536-1539 INSTALLATION, SEE TEMPLATES A7485 - A7487.
5. FOR 1546-1549 INSTALLATION, SEE TEMPLATES A7488 - A7490.
6. FOR 697-699 INSTALLATION, SEE TEMPLATES A7482 - A7484.
7. FOR 597-599 INSTALLATION, SEE TEMPLATES A7479 - A7481



SINGLE RABBETED FRAME
(590 & 690 SHOWN)



DOUBLE RABBETED FRAME
(690 SHOWN)

SARGENT® Manufacturing Company 100 Sargent Drive New Haven, CT 06511	
DATA SHEET: 1430 SERIES CLOSER (LOW CEILING TOP JAMB APPLICATION) WITH AN O,RO,OZ OR OZA ARM & 1536-1539,1546-1549, 697-699 OR 597-599 HOLDER/STOP	RELEASE DATE 12 JULY 02
	TEMPLATE NO. A7558 A