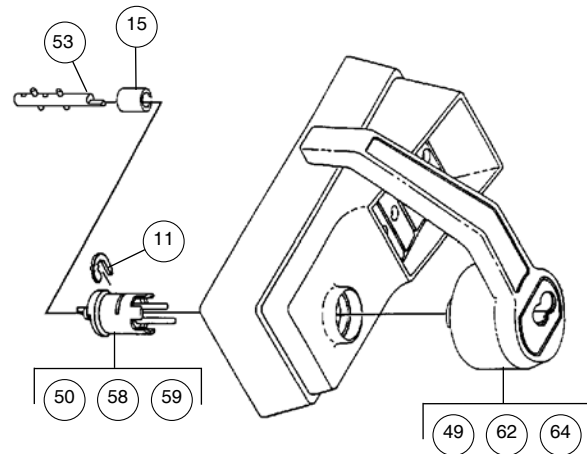
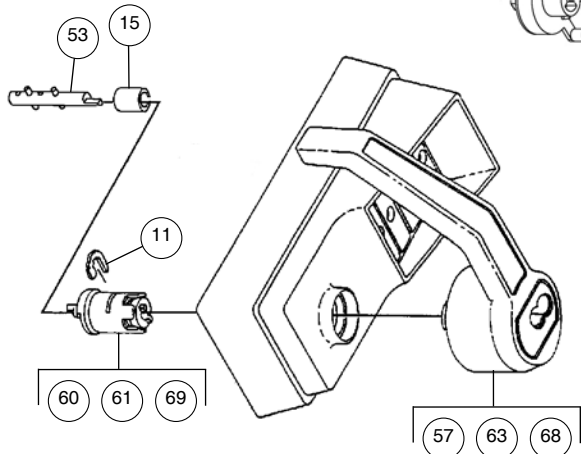
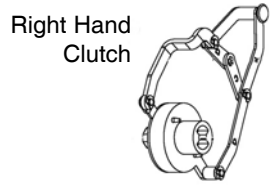
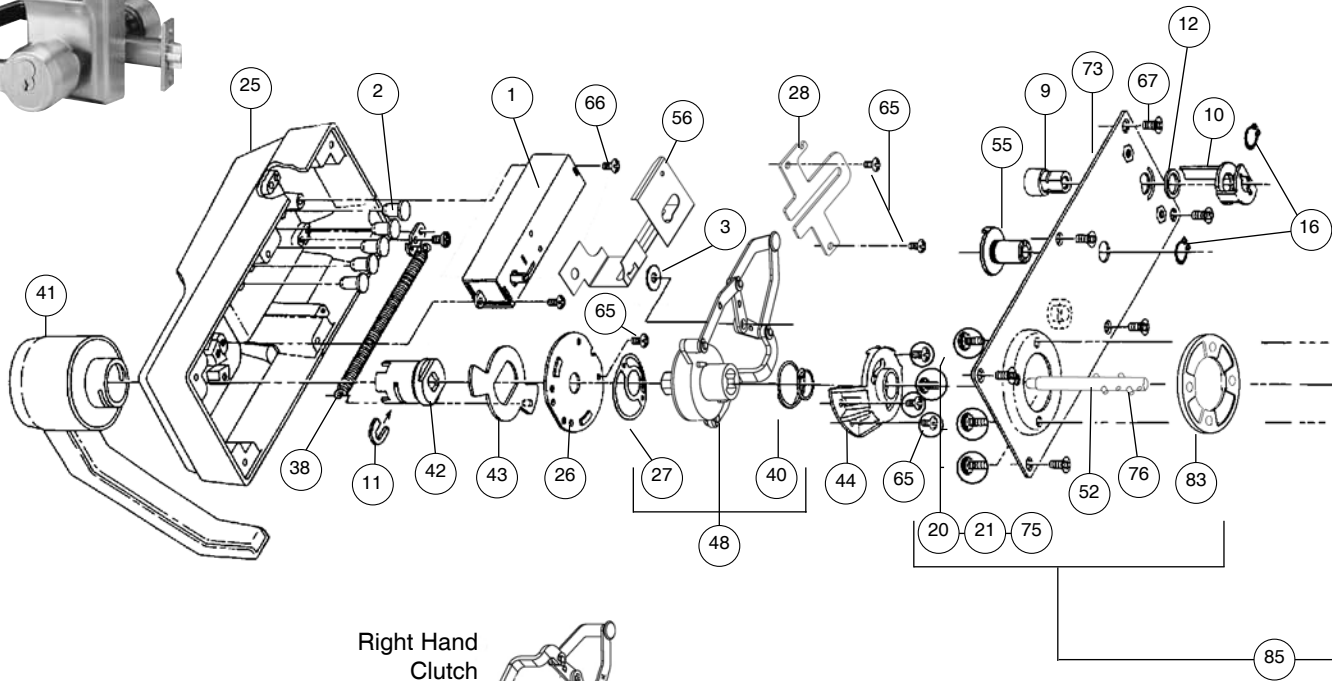




# Simplex L1000 Series

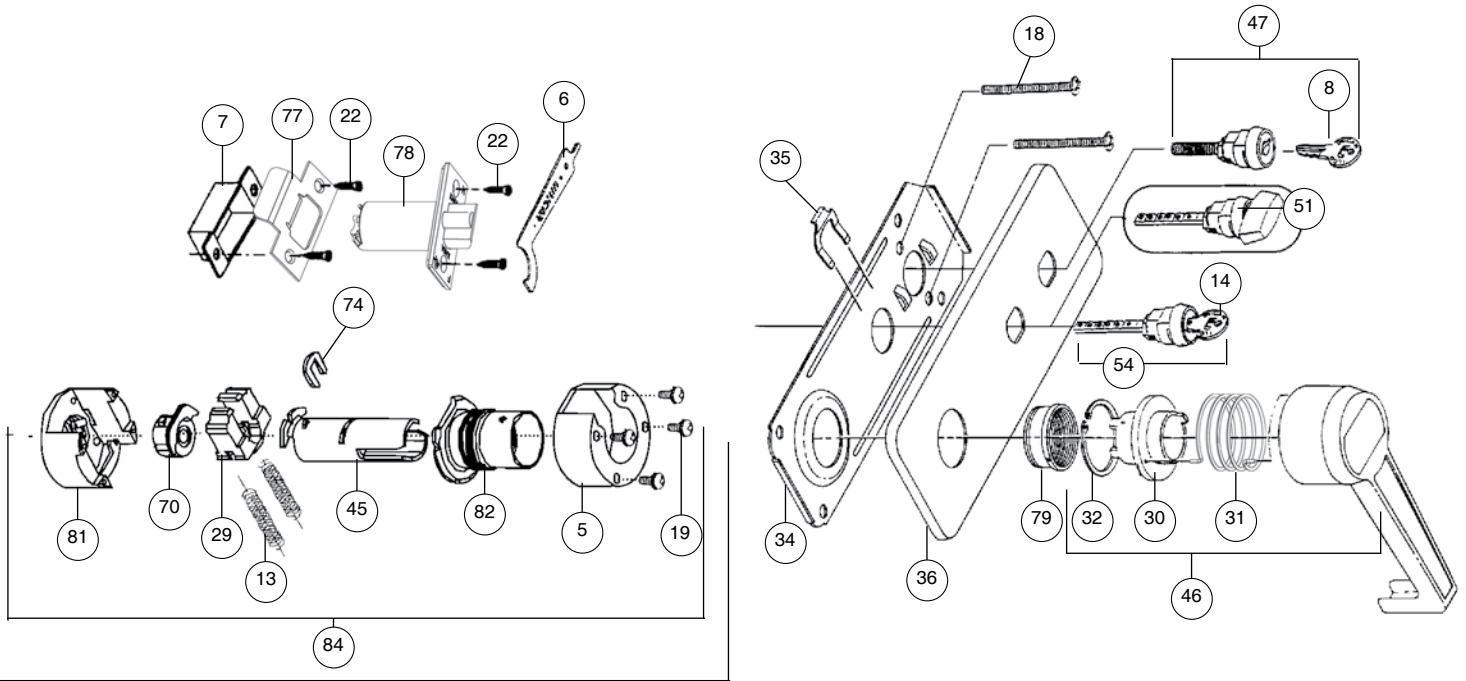


**Key Override Models:**  
 Medeco/ASSA/Yale  
 Schlage

**Key Override Models:**  
 Best & Equivalents  
 Corbin/Russwin  
 Sargent

**See inside front cover for  
 How to Order instructions**

# Simplex L1000 Series (continued)



## L1000 Series Service Kit



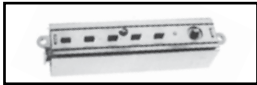
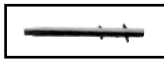




### Parts Included in Kit

- Chamber Shaft Bushing
- Clutch Assembly
- Combination Chamber
- Drive Shaft (No Key Override)
- Drive Shaft (key Override)
- Lever Return Spring
- Fixed Sleeve
- Stop Plate

**Left Hand: 203038-000-01     \$165.00 each**

**Right Hand: 203037-000-01     \$165.00 each**

### LH L1000 Series Service Kit

		
LH Clutch Assembly	Fixed Sleeve	Combination Chamber
		
Standard Drive Shaft	K/O Drive Shaft	Chamber Shaft Bushing
		
Lever Return Spring	LH Stop Plate	

Left Hand Kit Shown

## Simplex L1000 Series (continued)

Item	Qty/Lock	Description	Finish	Part Number	List Price (USD)
1	1	Combination Chamber (M-63/M-56) (Old # 201764-000-0)		7436600001	\$82.00
2	5	Pushbuttons (10 Pack)	Black	20002410610	\$11.00
		Pushbuttons (10 Pack)	Silver	20002410910	\$11.00
3	1	Bushing, Shaft (5 Pack)		20002600005	\$10.00
5	1	Cover for Shoe Housing		20127700001	\$10.00
6	1	Installation Wrench (spanner wrench) - Code Change Tool Kit (Includes 1 ea. #6, #8)		20127800001	\$9.00
7	1	Strike Box		20128700001	\$8.00
8	1	DF-59 Key - Code Change Tool Kit (Includes 1 ea. #6, #8)		20127800001	\$9.00
9	1	Combination Change Stud - Combination Change Actuator Kit (Includes 1 ea. #9, #10, #12, #16)		20133600001	\$11.00
10	1	Combination Change Sleeve - Combination Change Actuator Kit (Includes 1 ea. #9, #10, #12, #16)		20133600001	\$11.00
11	1	Front Knob Retainer Clip (5 Pack)		20134300005	\$10.00
12	1	Combination Change Sleeve Washer - Combination Change Actuator Kit (Includes 1 ea. #9, #10, #12, #16)		20133600001	\$11.00
13	2	Shoe Spring (For Cylindrical Drive Unit) (10 Pack)		20136600010	\$9.00
14	1	Key DF-5 (For Passage Set) (2 Pack)		20142200002	\$7.00
15	1	Shaft Self-Aligning Bushing (For Models 1021 & 1041)		20142500001	\$9.00
16	1	Retainer Ring 3/8" I.D. (10 Pack)		20144000010	\$10.00
18	2	Screw, 8-32 x 2 1/2" (For Mounting) (Includes 1 ea. #23, #76; 2 ea. #18, #83; 4 ea. #20, 21, #22, #75)	Satin Chrome	20421026D01	\$10.00
		Screw, 8-32 x 2 1/2" (For Mounting) (Includes 1 ea. #23, #76; 2 ea. #18, #83; 4 ea. #20, 21, #22, #75)	Bright Brass	2042100301	\$10.00
		Screw, 8-32 x 2 1/2" (For Mounting) (Includes 1 ea. #23, #76; 2 ea. #18, #83; 4 ea. #20, 21, #22, #75)	Antique Brass	2042100501	\$10.00
19	4	Sems Screw, Phillips 6-32 x 1/4" R.H.M.S. (For Shoe Housing Cover) (10 Pack)		20144600010	\$7.00
20	4	Sems Screw, Phillips 8-32 x 7/16" R.H.M.S. (For Spacer) (Includes 1 ea. #23, #76; 2 ea. #18, #83; 4 ea. #20, 21, #22, #75)	Satin Chrome	20421026D01	\$10.00
		Sems Screw, Phillips 8-32 x 7/16" R.H.M.S. (For Spacer) (Includes 1 ea. #23, #76; 2 ea. #18, #83; 4 ea. #20, 21, #22, #75)	Bright Brass	2042100301	\$10.00
		Sems Screw, Phillips 8-32 x 7/16" R.H.M.S. (For Spacer) (Includes 1 ea. #23, #76; 2 ea. #18, #83; 4 ea. #20, 21, #22, #75)	Antique Brass	2042100501	\$10.00
21	4	Sems Screw, Phillips 8-32 x 5/16" R.H.M.S. (For Spacer) (Includes 1 ea. #23, #76; 2 ea. #18, #83; 4 ea. #20, 21, #22, #75)	Satin Chrome	20421026D01	\$10.00
		Sems Screw, Phillips 8-32 x 5/16" R.H.M.S. (For Spacer) (Includes 1 ea. #23, #76; 2 ea. #18, #83; 4 ea. #20, 21, #22, #75)	Bright Brass	2042100301	\$10.00
		Sems Screw, Phillips 8-32 x 5/16" R.H.M.S. (For Spacer) (Includes 1 ea. #23, #76; 2 ea. #18, #83; 4 ea. #20, 21, #22, #75)	Antique Brass	2042100501	\$10.00
22	4	Combination Screw, Phillips 8-32 x 3/4" (For latch and strike plate) (10 Pack)	Satin Chrome	20156526D10	\$10.00
		Combination Screw, Phillips 8-32 x 3/4" (For latch and strike plate) (10 Pack)	Bright Brass	2015650310	\$10.00
		Combination Screw, Phillips 8-32 x 3/4" (For latch and strike plate) (10 Pack)	Antique Brass	2015650510	\$10.00
23	1	Rubber Bumper (For Door Frame) (Self Adhesive Strip of 4) (5 Pack)		20156800005	\$10.00
24	1	Spacer for Medeco 5 - 6 pin Medeco/ASSA		20156900001	\$15.00

\*When ordering an outside lever assembly for older locks, it may be necessary to order a respective outside drive sleeve assembly. (See Conversion Assemblies)

# Simplex L1000 Series (continued)



Item	Qty/Lock	Description	Finish	Part Number	List Price (USD)
25	1	Front Lock Housing	Satin Chrome	20170026D01	\$75.00
		Front Lock Housing	Bright Chrome	20170002601	\$75.00
		Front Lock Housing	Bright Brass	2017000301	\$75.00
		Front Lock Housing	Antique Brass	2017000501	\$75.00
26	1	Clutch Backing Plate		20170800001	\$9.00
27	1	Double Wave Spring - Clutch Spring Kit (Includes 1 ea. #27, #40)		20176800001	\$10.00
28	1	Guide Bracket		20172100001	\$8.00
29	1	Retractor Shoe		20172300001	\$10.00
30	1	Inside Lever Fixed Sleeve - RH - Fixed Sleeve Kit (Includes 1 ea. #30, #31,#32)		20172700001	\$36.00
		Inside Lever Fixed Sleeve - LH- Fixed Sleeve Kit (Includes 1 ea. #30, #31,#32)		20173300001	\$36.00
31	1	Inside Lever Coil Return Spring - RH		20173000001	\$10.00
		Inside Lever Coil Return Spring - LH		20173200001	\$10.00
32	1	Inside Lever Fixed Sleeve Retainer Clip		20173400001	\$7.00
33	1	Unified Trim Plate - Standard (Not Shown on Exploded View)	Satin Chrome	20173626D01	\$32.00
		Unified Trim Plate - Standard (Not Shown on Exploded View)	Bright Chrome	20173602601	\$32.00
		Unified Trim Plate - Standard (Not Shown on Exploded View)	Bright Brass	2017360301	\$32.00
		Unified Trim Plate - Standard (Not Shown on Exploded View)	Antique Brass	2017360501	\$32.00
34	1	Reinforcing Plate		20173800001	\$11.00
35	1	Passage Spring Clip (10 Pack)		20174000010	\$10.00
36	1	Unified Trim Plate - Passage Set Model	Satin Chrome	20174526D01	\$32.00
		Unified Trim Plate - Passage Set Model	Bright Chrome	20174502601	\$32.00
		Unified Trim Plate - Passage Set Model	Bright Brass	2017450301	\$32.00
		Unified Trim Plate - Passage Set Model	Antique Brass	2017450501	\$32.00
38	1	Outside Lever Return Spring - Stop Plate Kit - RH (Includes 1 ea. #38, #43)		20177300001	\$14.00
		Outside Lever Return Spring - Stop Plate Kit - LH (Includes 1 ea. #38, #43)		20177400001	\$14.00
40	1	Balance Spring - Clutch Spring Kit (Includes 1 ea. #27, #40)		20176800001	\$10.00
41	1	Outside Lever Handle Assembly Non Key Override* - Right Handed	Satin Chrome	20177026D01	\$99.00
		Outside Lever Handle Assembly Non Key Override* - Right Handed	Bright Chrome	20177002601	\$99.00
		Outside Lever Handle Assembly Non Key Override* - Right Handed	Bright Brass	2017700301	\$99.00
		Outside Lever Handle Assembly Non Key Override* - Right Handed	Antique Brass	2017700501	\$99.00
		Outside Lever Handle Assembly Non Key Override* - Left Handed	Satin Chrome	20177126D01	\$99.00
		Outside Lever Handle Assembly Non Key Override* - Left Handed	Bright Chrome	20177102601	\$99.00
		Outside Lever Handle Assembly Non Key Override* - Left Handed	Bright Brass	2017710301	\$99.00
		Outside Lever Handle Assembly Non Key Override* - Left Handed	Antique Brass	2017710501	\$99.00
42	1	Outside Drive Sleeve Assembly Non Key Override (Includes 1 ea. #11, #42)		20177200001	\$24.00
43	1	Stop Plate - Stop Plate Kit - RH (Includes 1 ea. #38, #43)		20177300001	\$14.00
		Stop Plate - Stop Plate Kit - LH (Includes 1 ea. #38, #43)		20177400001	\$14.00
44	1	Clutch Cover Assembly - Right Handed		20178000001	\$11.00
		Clutch Cover Assembly - Left Handed		20178100001	\$11.00
45	1	Inside Drive Sleeve Assembly (Includes 1 ea. #45, #74)		20178200001	\$15.00
46	1	Inside Lever - Inside Lever Kit - RH (Includes 1 ea. #30, #31, #32, #46)	Satin Chrome	20178526D01	\$125.00
		Inside Lever - Inside Lever Kit - RH (Includes 1 ea. #30, #31, #32, #46)	Bright Chrome	20178502601	\$125.00

\*When ordering an outside lever assembly for older locks, it may be necessary to order a respective outside drive sleeve assembly. (See Conversion Assemblies)

## Simplex L1000 Series (continued)

Item	Qty/Lock	Description	Finish	Part Number	List Price (USD)
46	1	Inside Lever - Inside Lever Kit - RH (Includes 1 ea. #30, #31, #32, #46)	Bright Brass	2017850301	\$125.00
		Inside Lever - Inside Lever Kit - RH (Includes 1 ea. #30, #31, #32, #46)	Antique Brass	2017850501	\$125.00
		Inside Lever - Inside Lever Kit - LH (Includes 1 ea. #30, #31, #32, #46)	Satin Chrome	20178626D01	\$125.00
		Inside Lever - Inside Lever Kit - LH (Includes 1 ea. #30, #31, #32, #46)	Bright Chrome	20178602601	\$125.00
		Inside Lever - Inside Lever Kit - LH (Includes 1 ea. #30, #31, #32, #46)	Bright Brass	2017860301	\$125.00
		Inside Lever - Inside Lever Kit - LH (Includes 1 ea. #30, #31, #32, #46)	Antique Brass	2017860501	\$125.00
47	1	Combination Change Plug Assembly with (2) DF59 keys (Includes 2 ea. #8)	Satin Chrome	20178726D01	\$17.00
		Combination Change Plug Assembly with (2) DF59 keys (Includes 2 ea. #8)	Bright Brass	2017870301	\$17.00
		Combination Change Plug Assembly with (2) DF59 keys (Includes 2 ea. #8)	Antique Brass	2017870501	\$17.00
48	1	Clutch Assembly - RH (Includes 1 ea. #27, #40, #48)		20178800001	\$50.00
		Clutch Assembly - LH (Includes 1 ea. #27, #40, #48)		20178900001	\$50.00
49	1	Best Outside Lever Assembly* (Also fits Falcon / Arrow / Eagle & KSP / Lloyd Matheson Removable Core) - RH	Satin Chrome	20179026D01	\$152.00
		Best Outside Lever Assembly* (Also fits Falcon / Arrow / Eagle & KSP / Lloyd Matheson Removable Core) - RH	Bright Chrome	20179002601	\$152.00
		Best Outside Lever Assembly* (Also fits Falcon / Arrow / Eagle & KSP / Lloyd Matheson Removable Core) - RH	Bright Brass	2017900301	\$152.00
		Best Outside Lever Assembly* (Also fits Falcon / Arrow / Eagle & KSP / Lloyd Matheson Removable Core) - RH	Antique Brass	2017900501	\$152.00
		Best Outside Lever Assembly* (Also fits Falcon / Arrow / Eagle & KSP / Lloyd Matheson Removable Core) - LH	Satin Chrome	20179126D01	\$152.00
		Best Outside Lever Assembly* (Also fits Falcon / Arrow / Eagle & KSP / Lloyd Matheson Removable Core) - LH	Bright Chrome	20179102601	\$152.00
		Best Outside Lever Assembly* (Also fits Falcon / Arrow / Eagle & KSP / Lloyd Matheson Removable Core) - LH	Bright Brass	2017910301	\$152.00
		Best Outside Lever Assembly* (Also fits Falcon / Arrow / Eagle & KSP / Lloyd Matheson Removable Core) - LH	Antique Brass	2017910501	\$152.00
50	1	Best Outside Drive Sleeve Assembly (Also fits Falcon / Arrow / Eagle & KSP / Lloyd Matheson Removable Core) (Includes 1 ea. #11, #50)		20179200001	\$33.00
51	1	Passage Set Thumbturn Plug Assembly (Includes 1 ea. #35, #51)	Satin Chrome	20180726D01	\$17.00
		Passage Set Thumbturn Plug Assembly (Includes 1 ea. #35, #51)	Bright Brass	2018070301	\$17.00
		Passage Set Thumbturn Plug Assembly (Includes 1 ea. #35, #51)	Antique Brass	2018070501	\$17.00
52	1	Drive Shaft Assembly for Non Key Override (Standard)		20181200001	\$15.00
53	1	Drive Shaft Assembly for Key Override		20181300001	\$18.00
54	1	Passage Set Key Turn Plug Assembly with (2) DF-5 keys	Satin Chrome	20181826D01	\$17.00
		Passage Set Key Turn Plug Assembly with (2) DF-5 keys	Bright Brass	2018180301	\$17.00
		Passage Set Key Turn Plug Assembly with (2) DF-5 keys	Antique Brass	2018180501	\$17.00
55	1	Chamber Release Cam - Passage Kit (Includes 1 ea. #16, #55, #56) (For Passage Set)		20182500001	\$20.00
56	1	Chamber Release - Passage Kit (Includes 1 ea. #16, #55, #56) (For Passage Set)		20182500001	\$20.00
57	1	Schlage Outside Lever Assembly - RH	Satin Chrome	20182926D01	\$152.00
		Schlage Outside Lever Assembly - RH	Bright Chrome	20182902601	\$152.00
		Schlage Outside Lever Assembly - RH	Bright Brass	2018290301	\$152.00

\*When ordering an outside lever assembly for older locks, it may be necessary to order a respective outside drive sleeve assembly.  
(See Conversion Assemblies)

# Simplex L1000 Series *(continued)*

Item	Qty/Lock	Description	Finish	Part Number	List Price (USD)
57	1	Schlage Outside Lever Assembly - RH	Antique Brass	2018290501	\$152.00
		Schlage Outside Lever Assembly - LH	Satin Chrome	20183026D01	\$152.00
		Schlage Outside Lever Assembly - LH	Bright Chrome	20183002601	\$152.00
		Schlage Outside Lever Assembly - LH	Bright Brass	2018300301	\$152.00
		Schlage Outside Lever Assembly - LH	Antique Brass	2018300501	\$152.00
58	1	Sargent Outside Drive Sleeve Assembly (Includes 1 ea. #11, #58)		20183100001	\$42.00
59	1	Corbin / Russwin Outside Drive Sleeve Assembly (Includes 1 ea. #11, #59)		20183200001	\$42.00
60	1	Schlage Outside Drive Sleeve Assembly (Includes 1 ea. #11, #60)		20184000001	\$42.00
61	1	Medeco / ASSA / Yale Outside Drive Sleeve Assembly (Old ASSA #204010) (Includes 1 ea. #11, #61)		20184200001	\$42.00
62	1	Sargent Outside Lever Assembly - RH	Satin Chrome	20192526D01	\$152.00
		Sargent Outside Lever Assembly - RH	Bright Chrome	20192502601	\$152.00
		Sargent Outside Lever Assembly - RH	Bright Brass	2019250301	\$152.00
		Sargent Outside Lever Assembly - RH	Antique Brass	2019250501	\$152.00
		Sargent Outside Lever Assembly - LH	Satin Chrome	20192626D01	\$152.00
		Sargent Outside Lever Assembly - LH	Bright Chrome	20192602601	\$152.00
		Sargent Outside Lever Assembly - LH	Bright Brass	2019260301	\$152.00
		Sargent Outside Lever Assembly - LH	Antique Brass	2019260501	\$152.00
63	1	Medeco / ASSA / Yale Outside Lever Assembly (Old #s for ASSA 204008 RH, 204009 LH) RH	Satin Chrome	20192726D01	\$152.00
		Medeco / ASSA / Yale Outside Lever Assembly (Old #s for ASSA 204008 RH, 204009 LH) RH	Bright Chrome	20192702601	\$152.00
		Medeco / ASSA / Yale Outside Lever Assembly (Old #s for ASSA 204008 RH, 204009 LH) RH	Bright Brass	2019270301	\$152.00
		Medeco / ASSA / Yale Outside Lever Assembly (Old #s for ASSA 204008 RH, 204009 LH) RH	Antique Brass	2019270501	\$152.00
		Medeco / ASSA / Yale Outside Lever Assembly (Old #s for ASSA 204008 RH, 204009 LH) LH	Satin Chrome	20192826D01	\$152.00
		Medeco / ASSA / Yale Outside Lever Assembly (Old #s for ASSA 204008 RH, 204009 LH) LH	Bright Chrome	20192802601	\$152.00
		Medeco / ASSA / Yale Outside Lever Assembly (Old #s for ASSA 204008 RH, 204009 LH) LH	Bright Brass	2019280301	\$152.00
		Medeco / ASSA / Yale Outside Lever Assembly (Old #s for ASSA 204008 RH, 204009 LH) LH	Antique Brass	2019280501	\$152.00
64	1	Corbin / Russwin Outside Lever Assembly - RH	Satin Chrome	20192926D01	\$152.00
		Corbin / Russwin Outside Lever Assembly - RH	Bright Chrome	20192902601	\$152.00
		Corbin / Russwin Outside Lever Assembly - RH	Bright Brass	2019290301	\$152.00
		Corbin / Russwin Outside Lever Assembly - RH	Antique Brass	2019290501	\$152.00
		Corbin / Russwin Outside Lever Assembly - LH	Satin Chrome	20193026D01	\$152.00
		Corbin / Russwin Outside Lever Assembly - LH	Bright Chrome	20193002601	\$152.00
		Corbin / Russwin Outside Lever Assembly - LH	Bright Brass	2019300301	\$152.00
		Corbin / Russwin Outside Lever Assembly - LH	Antique Brass	2019300501	\$152.00

\*When ordering an outside lever assembly for older locks, it may be necessary to order a respective outside drive sleeve assembly. (See Conversion Assemblies)

## Simplex L1000 Series *(continued)*

Item	Qty/Lock	Description	Finish	Part Number	List Price (USD)
65	5	Sems Screw, Phillips 6-32 x 7/16" (11 mm) R.H.M.S. (For clutch cover, clutch backing plate, and guide bracket) (Old # 201448-022-10) (Includes 10 ea. #65, #66, #67) Screw Pack (10 ea. 6-32 x 3/8", 5/16", 7/16")		6477600001	\$10.00
66	2	Sems Screw, Phillips 6-32 x 5/16" (8 mm) R.H.M.S. (For comb. chamber) (Old # 201447-022-10) (Includes 10 ea. #65, #66, #67) Screw Pack (10 ea. 6-32 x 3/8", 5/16", 7/16")		6477600001	\$10.00
67	6	Screw Phillips 6-32 x 3/8" F.H.M.S. (For Back Plate) ( Old # 201444-022-10) (Includes 10 ea. #65, #66, #67) Screw Pack (10 ea. 6-32 x 3/8", 5/16", 7/16")		6477600001	\$10.00
69	1	ASSA Outside Drive Sleeve Assembly (Includes 1 ea. #11, #69)		20401000001	\$42.00
70	1	Drive Insert		20401500001	\$21.00
74	1	Inside Knob Retainer Clip (Old # 201344) (5 Pack)		20412000005	\$10.00
75	4	Sems Screw, Phillips 8-32 x 5/16" R.H.M.S. (For spacer) (Old # 201449) (Includes 1 ea. #23, #76; 2 ea. #18, #83; 4 ea. #20, #21, #22, #75)	Satin Chrome	20421026D01	\$10.00
		Sems Screw, Phillips 8-32 x 5/16" R.H.M.S. (For spacer) (Old # 201449) (Includes 1 ea. #23, #76; 2 ea. #18, #83; 4 ea. #20, #21, #22, #75)	Bright Brass	2042100301	\$10.00
		Sems Screw, Phillips 8-32 x 5/16" R.H.M.S. (For spacer) (Old # 201449) (Includes 1 ea. #23, #76; 2 ea. #18, #83; 4 ea. #20, #21, #22, #75)	Antique Brass	2042100501	\$10.00
76	1	Cross Pin .100" (2.5 mm) x .500 (1.27 mm) long (Includes 1 ea. #23, #76; 2 ea. #18, #83; 4 ea. #20, #21, #22, #75)	Satin Chrome	20421026D01	\$10.00
		Cross Pin .100" (2.5 mm) x .500 (1.27 mm) long (Includes 1 ea. #23, #76; 2 ea. #18, #83; 4 ea. #20, #21, #22, #75)	Bright Brass	2042100301	\$10.00
		Cross Pin .100" (2.5 mm) x .500 (1.27 mm) long (Includes 1 ea. #23, #76; 2 ea. #18, #83; 4 ea. #20, #21, #22, #75)	Antique Brass	2042100501	\$10.00
77	1	Standard "T" Strike Plate (Old # 201288 or 204167)	Satin Chrome	20422726D01	\$10.00
		Standard "T" Strike Plate (Old # 201288 or 204167)	Bright Brass	2042270301	\$10.00
		Standard "T" Strike Plate (Old # 201288 or 204167)	Antique Brass	2042270501	\$10.00
		Standard "T" Strike Plate (Old # 201288 or 204167)	Bright Chrome	20422702601	\$10.00
		ASA Strike (For 4 7/8" (105 mm) long cutout) (Old # 201413 or 1000-15-26D)	Satin Chrome	20411926D01	\$11.00
		ASA Strike (For 4 7/8" (105 mm) long cutout) (Old # 201413 or 1000-15-03)	Bright Brass	2041190301	\$11.00
		ASA Strike (For 4 7/8" (105 mm) long cutout) (Old # 201413 or 1000-15-05)	Antique Brass	2041190501	\$11.00
78	1	1/2" (13 mm) Floating Front Throw Latch 2 3/4" (70 mm) Backset	Satin Chrome	20416826D01	\$35.00
		1/2" (13 mm) Floating Front Throw Latch 2 3/4" (70 mm) Backset	Bright Brass	2041680301	\$35.00
		1/2" (13 mm) Floating Front Throw Latch 2 3/4" (70 mm) Backset	Antique Brass	2041680501	\$35.00
		3/4" (19mm) Brass Latch - carries 3-hour UL/ULC fire rating for "A" labeled doors. 2 3/4" (70 mm) backset. Beveled front.	Satin Chrome	20114426D01	\$60.00
		3/4" (19mm) Brass Latch - carries 3-hour UL/ULC fire rating for "A" labeled doors. 2 3/4" (70 mm) backset. Beveled front.	Bright Brass	2011440301	\$60.00
		3/4" (19mm) Brass Latch - carries 3-hour UL/ULC fire rating for "A" labeled doors. 2 3/4" (70 mm) backset. Beveled front.	Antique Brass	2011440501	\$60.00
		Latch 1/2" Floating Face, 2 3/8" Backset - 3 Hour Fire Rated (Includes Screws)	Satin Chrome	7518526D01	\$35.00
		Latch 1/2" Floating Face, 2 3/8" Backset - 3 Hour Fire Rated (Includes Screws)	Bright Brass	751850301	\$35.00
		Latch 1/2" Floating Face, 2 3/8" Backset - 3 Hour Fire Rated (Includes Screws)	Antique Brass	751850501	\$35.00
		79	1	Thread Ring	Satin Chrome
Thread Ring	Bright Chrome			20416902601	\$11.00

\*When ordering an outside lever assembly for older locks, it may be necessary to order a respective outside drive sleeve assembly. (See Conversion Assemblies)

# Simplex L1000 Series (continued)

Item	Qty/Lock	Description	Finish	Part Number	List Price (USD)
79	1	Thread Ring	Bright Brass	2041690301	\$11.00
		Thread Ring	Antique Brass	2041690501	\$11.00
81	1	Shoe Retainer and Bridge Assembly		20419900001	\$34.00
82	1	Shoe Retainer Cap Assembly	Satin Chrome	20420026D01	\$29.00
		Shoe Retainer Cap Assembly	Bright Chrome	20420002601	\$29.00
		Shoe Retainer Cap Assembly	Bright Brass	2042000301	\$29.00
		Shoe Retainer Cap Assembly	Antique Brass	2042000501	\$27.00
83	1	1/4" Spacer, Door Thickness (Old # 201449) (Includes 1 ea. #23, #76; 2 ea. #18, #83; 4 ea. #20, #21, #22, #75)	Satin Chrome	20421026D01	\$10.00
		1/4" Spacer, Door Thickness (Old # 201449) (Includes 1 ea. #23, #76; 2 ea. #18, #83; 4 ea. #20, #21, #22, #75)	Bright Brass	2042100301	\$10.00
		1/4" Spacer, Door Thickness (Old # 201449) (Includes 1 ea. #23, #76; 2 ea. #18, #83; 4 ea. #20, #21, #22, #75)	Antique Brass	2042100501	\$10.00
84	1	Cylindrical Drive Unit Assembly (Includes 1 ea. #5, #29, #45, #70, #74, #81, #82; 2 ea. #13; 4 ea. #19)	Satin Chrome	20420226D01	\$94.00
		Cylindrical Drive Unit Assembly (Includes 1 ea. #5, #29, #45, #70, #74, #81, #82; 2 ea. #13; 4 ea. #19)	Bright Chrome	20420202601	\$94.00
		Cylindrical Drive Unit Assembly (Includes 1 ea. #5, #29, #45, #70, #74, #81, #82; 2 ea. #13; 4 ea. #19)	Bright Brass	2042020301	\$94.00
		Cylindrical Drive Unit Assembly (Includes 1 ea. #5, #29, #45, #70, #74, #81, #82; 2 ea. #13; 4 ea. #19)	Antique Brass	2042020501	\$94.00
85	1	Back Plate Assembly (Includes 1 ea. #73, #83, #84; 4 ea. #20) - LH	Satin Chrome	20420426D01	\$110.00
		Back Plate Assembly (Includes 1 ea. #73, #83, #84; 4 ea. #20) - LH	Bright Brass	2042040301	\$110.00
		Back Plate Assembly (Includes 1 ea. #73, #83, #84; 4 ea. #20) - LH	Antique Brass	2042040501	\$110.00
		Back Plate Assembly (Includes 1 ea. #73, #83, #84; 4 ea. #20) - RH	Satin Chrome	20420526D01	\$110.00
		Back Plate Assembly (Includes 1 ea. #73, #83, #84; 4 ea. #20) - RH	Bright Brass	2042050301	\$110.00
		Back Plate Assembly (Includes 1 ea. #73, #83, #84; 4 ea. #20) - RH	Antique Brass	2042050501	\$110.00
86	1	Screw Pack (Includes 1 ea. #23, #76; 2 ea. #18, #83; 4 ea. #20, #21, #22, #75) (Not shown in exploded view)	Satin Chrome	20421026D01	\$10.00
		Screw Pack (Includes 1 ea. #23, #76; 2 ea. #18, #83; 4 ea. #20, #21, #22, #75) (Not shown in exploded view)	Bright Brass	2042100301	\$10.00
		Screw Pack (Includes 1 ea. #23, #76; 2 ea. #18, #83; 4 ea. #20, #21, #22, #75) (Not shown in exploded view)	Antique Brass	2042100501	\$10.00
87	1	Installation Hardware Kit (Includes 1 ea. #6, #7, #47, #77, #79, #86; 2 ea. #83) (Not shown in exploded view)	Satin Chrome	20421126D11	\$35.00
		Installation Hardware Kit (Includes 1 ea. #6, #7, #47, #77, #79, #86; 2 ea. #83) (Not shown in exploded view)	Bright Brass	2042110311	\$35.00
		Installation Hardware Kit (Includes 1 ea. #6, #7, #47, #77, #79, #86; 2 ea. #83) (Not shown in exploded view)	Antique Brass	2042110511	\$35.00

### Additional Kits and Accessories

		Lubriplate Aero Grease Tubes		6475400001	\$13.00
		Best Key Override Spacer (not shown)		3800-00-3007	\$22.00
		Sargent Key Override Spacer (not shown)		20402800001	\$22.00

\*When ordering an outside lever assembly for older locks, it may be necessary to order a respective outside drive sleeve assembly. (See Conversion Assemblies)



## Simplex L1000 Series (continued)

### Additional Kits and Accessories

	Corbin-Russwin Key Override Spacer (not shown)		20402900001	\$22.00
	Best Equivalent Removable Core Cylinder (Sold international only, not available for U.S.)	Bright Brass	2014840301	\$55.00
	Best Equivalent Removable Core Cylinder (Sold international only, not available for U.S.)	Antique Brass	2014840501	\$55.00
	Best Equivalent Removable Core Cylinder (Sold international only, not available for U.S.)	Satin Chrome	20148426D01	\$55.00
	Wrap Plate, 10.5" (267mm) x 5" (127mm)	Satin Chrome	20423126D41	\$60.00
	Wrap Plate, 10.5" (267mm) x 5" (127mm)	Bright Brass	2042310341	\$60.00
	Wrap Plate, 10.5" (267mm) x 5" (127mm)	Antique Brass	2042340541	\$60.00
	Wrap Plate, 15" (381mm) x 5" (127mm)	Satin Chrome	20423226D41	\$85.00
	Wrap Plate, 15" (381mm) x 5" (127mm)	Bright Brass	2042320341	\$85.00
	Wrap Plate, 15" (381mm) x 5" (127mm)	Antique Brass	2012320541	\$85.00
	Anti-Spy Shield (1000/L1000 Series)	Black	20160008301	\$40.00
	Weather Cover (1000/L1000/5000/E5000)	Smoke	5464400041	\$50.00
	Latch Extension Assembly - Converts to 3 3/4" (95mm) backset		20402200001	\$30.00
	Latch Extension Assembly - Converts to 5" (130mm) backset		20402300001	\$26.00
	Installation Jig (for use with E5000/5000/1000/L1000)		6468426D01	\$350.00
	Simplex 1000/L1000 Cylindrical Wood Demo Mount (lock not included)		20304400041	\$143.00
	3/4" (19 mm) Flat Front Latch - carries 3-hour UL/ULC fire rating for "A" labeled doors. 2 3/4" (70 mm) backset	Bright Brass	2016050301	\$60.00
	3/4" (19 mm) Flat Front Latch - carries 3-hour UL/ULC fire rating for "A" labeled doors. 2 3/4" (70 mm) backset	Antique Brass	2016050501	\$60.00
	3/4" (19 mm) Flat Front Latch - carries 3-hour UL/ULC fire rating for "A" labeled doors. 2 3/4" (70 mm) backset	Satin Chrome	20160526D01	\$60.00
	ASA Roller Strike (For 4 7/8" (105 mm) long cutout) (old #1000-14-03)	Bright Brass	2018210301	\$38.00
	ASA Roller Strike (For 4 7/8" (105 mm) long cutout) (old #1000-14-05)	Antique Brass	2018210501	\$38.00
	ASA Roller Strike (For 4 7/8" (105 mm) long cutout) (old #1000-14-26D)	Satin Chrome	20182126D01	\$38.00
	3/4" (19 mm) Brass Latch - carries 3-hour UL/ULC fire rating for "A" labeled doors. 2 3/4" (70 mm) backset. Beveled front. (For L1076 privacy Model only)	Bright Brass	2040040301	\$60.00
	3/4" (19 mm) Brass Latch - carries 3-hour UL/ULC fire rating for "A" labeled doors. 2 3/4" (70 mm) backset. Beveled front. (For L1076 privacy Model only)	Antique Brass	2040040501	\$60.00
	3/4" (19 mm) Brass Latch - carries 3-hour UL/ULC fire rating for "A" labeled doors. 2 3/4" (70 mm) backset. Beveled front. (For L1076 privacy Model only)	Satin Chrome	20400426D01	\$60.00
	1/2" (13 mm) Brass Latch - carries 3-hour UL/ULC fire rating for "A" labeled doors. 2 3/4" (70 mm) backset. Fixed beveled front face.	Satin Chrome	5507126D01	\$35.00
	1/2" (13 mm) Brass Latch - carries 3-hour UL/ULC fire rating for "A" labeled doors. 2 3/4" (70 mm) backset. Fixed beveled front face.	Bright Brass	550710301	\$35.00
	1/2" (13 mm) Brass Latch - carries 3-hour UL/ULC fire rating for "A" labeled doors. 2 3/4" (70 mm) backset. Fixed beveled front face.	Antique Brass	550710501	\$35.00

### Lever Conversion Assemblies

	Schlage Conversion Assembly (S) - RH	Satin Chrome	20184526D01	\$160.00
	Schlage Conversion Assembly (S) - RH	Bright Chrome	20184502601	\$160.00
	Schlage Conversion Assembly (S) - RH	Bright Brass	2018450301	\$160.00
	Schlage Conversion Assembly (S) - RH	Antique Brass	2018450501	\$160.00

## Simplex L1000 Series (continued)

### Lever Conversion Assemblies

Schlage Conversion Assembly (S) - LH	Satin Chrome	20184626D01	\$160.00
Schlage Conversion Assembly (S) - LH	Bright Chrome	20184602601	\$160.00
Schlage Conversion Assembly (S) - LH	Bright Brass	2018460301	\$160.00
Schlage Conversion Assembly (S) - LH	Antique Brass	2018460501	\$160.00
Sargent Conversion Assembly (R) - RH	Satin Chrome	20193126D01	\$160.00
Sargent Conversion Assembly (R) - RH	Bright Chrome	20193102601	\$160.00
Sargent Conversion Assembly (R) - RH	Bright Brass	2019310301	\$160.00
Sargent Conversion Assembly (R) - RH	Antique Brass	2019310501	\$160.00
Sargent Conversion Assembly (R) - LH	Satin Chrome	20193226D01	\$160.00
Sargent Conversion Assembly (R) - LH	Bright Chrome	20193202601	\$160.00
Sargent Conversion Assembly (R) - LH	Bright Brass	2019320301	\$160.00
Sargent Conversion Assembly (R) - LH	Antique Brass	2019320501	\$160.00
Medeco / ASSA / Yale Conversion Assembly - Request Spacers 201569 for 5 - 6 pin Medeco/ASSA. (M) (Old # for ASSA 204013 RH, 204014 LH) - RH	Satin Chrome	20193326D01	\$160.00
Medeco / ASSA / Yale Conversion Assembly - Request Spacers 201569 for 5 - 6 pin Medeco/ASSA. (M) (Old # for ASSA 204013 RH, 204014 LH) - RH	Bright Chrome	20193302601	\$160.00
Medeco / ASSA / Yale Conversion Assembly - Request Spacers 201569 for 5 - 6 pin Medeco/ASSA. (M) (Old # for ASSA 204013 RH, 204014 LH) - RH	Bright Brass	2019330301	\$160.00
Medeco / ASSA / Yale Conversion Assembly - Request Spacers 201569 for 5 - 6 pin Medeco/ASSA. (M) (Old # for ASSA 204013 RH, 204014 LH) - RH	Antique Brass	2019330501	\$160.00
Medeco / ASSA / Yale Conversion Assembly - Request Spacers 201569 for 5 - 6 pin Medeco/ASSA. (M) (Old # for ASSA 204013 RH, 204014 LH) - LH	Satin Chrome	20193426D01	\$160.00
Medeco / ASSA / Yale Conversion Assembly - Request Spacers 201569 for 5 - 6 pin Medeco/ASSA. (M) (Old # for ASSA 204013 RH, 204014 LH) - LH	Bright Chrome	20193402601	\$160.00
Medeco / ASSA / Yale Conversion Assembly - Request Spacers 201569 for 5 - 6 pin Medeco/ASSA. (M) (Old # for ASSA 204013 RH, 204014 LH) - LH	Bright Brass	2019340301	\$160.00
Medeco / ASSA / Yale Conversion Assembly - Request Spacers 201569 for 5 - 6 pin Medeco/ASSA. (M) (Old # for ASSA 204013 RH, 204014 LH) - LH	Antique Brass	2019340501	\$160.00
Best / Falcon / Arrow / Eagle / KSP / Lloyd Matheson Conversion Assembly (B) - RH	Satin Chrome	20193526D01	\$160.00
Best / Falcon / Arrow / Eagle / KSP / Lloyd Matheson Conversion Assembly (B) - RH	Bright Chrome	20193502601	\$160.00
Best / Falcon / Arrow / Eagle / KSP / Lloyd Matheson Conversion Assembly (B) - RH	Bright Brass	2019350301	\$160.00
Best / Falcon / Arrow / Eagle / KSP / Lloyd Matheson Conversion Assembly (B) - RH	Antique Brass	2019350501	\$160.00
Best / Falcon / Arrow / Eagle / KSP / Lloyd Matheson Conversion Assembly (B) - LH	Satin Chrome	20193626D01	\$160.00
Best / Falcon / Arrow / Eagle / KSP / Lloyd Matheson Conversion Assembly (B) - LH	Bright Chrome	20193602601	\$160.00
Best / Falcon / Arrow / Eagle / KSP / Lloyd Matheson Conversion Assembly (B) - LH	Bright Brass	2019360301	\$160.00
Best / Falcon / Arrow / Eagle / KSP / Lloyd Matheson Conversion Assembly (B) - LH	Antique Brass	2019360501	\$160.00
Corbin / Russwin Conversion Assembly (C) - RH	Satin Chrome	20193726D01	\$160.00

## Simplex L1000 Series *(continued)*

### Lever Conversion Assemblies

	Corbin / Russwin Conversion Assembly (C) - RH	Bright Chrome	20193702601	\$160.00
	Corbin / Russwin Conversion Assembly (C) - RH	Bright Brass	2019370301	\$160.00
	Corbin / Russwin Conversion Assembly (C) - RH	Antique Brass	2019370501	\$160.00
	Corbin / Russwin Conversion Assembly (C) - LH	Satin Chrome	20193826D01	\$160.00
	Corbin / Russwin Conversion Assembly (C) - LH	Bright Chrome	20193802601	\$160.00
	Corbin / Russwin Conversion Assembly (C) - LH	Bright Brass	2019380301	\$160.00
	Corbin / Russwin Conversion Assembly (C) - LH	Antique Brass	2019380501	\$160.00

Use these conversion assemblies to convert an existing L1000 Series lock from standard to key override, or from one key override to another.

Parts availability may be limited on older component parts no longer used in production units.