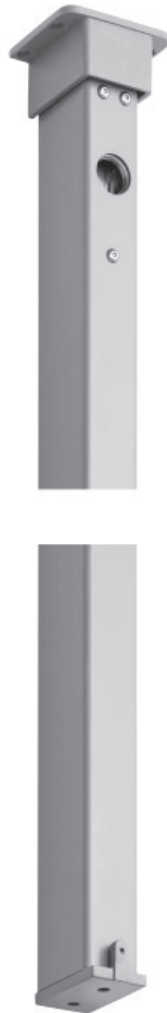


# Mullions Parts Manual



For assistance, contact SARGENT at  
800-727-5477 or [www.sargentlock.com](http://www.sargentlock.com)

Experience a safer  
and more open world

 **WARNING**

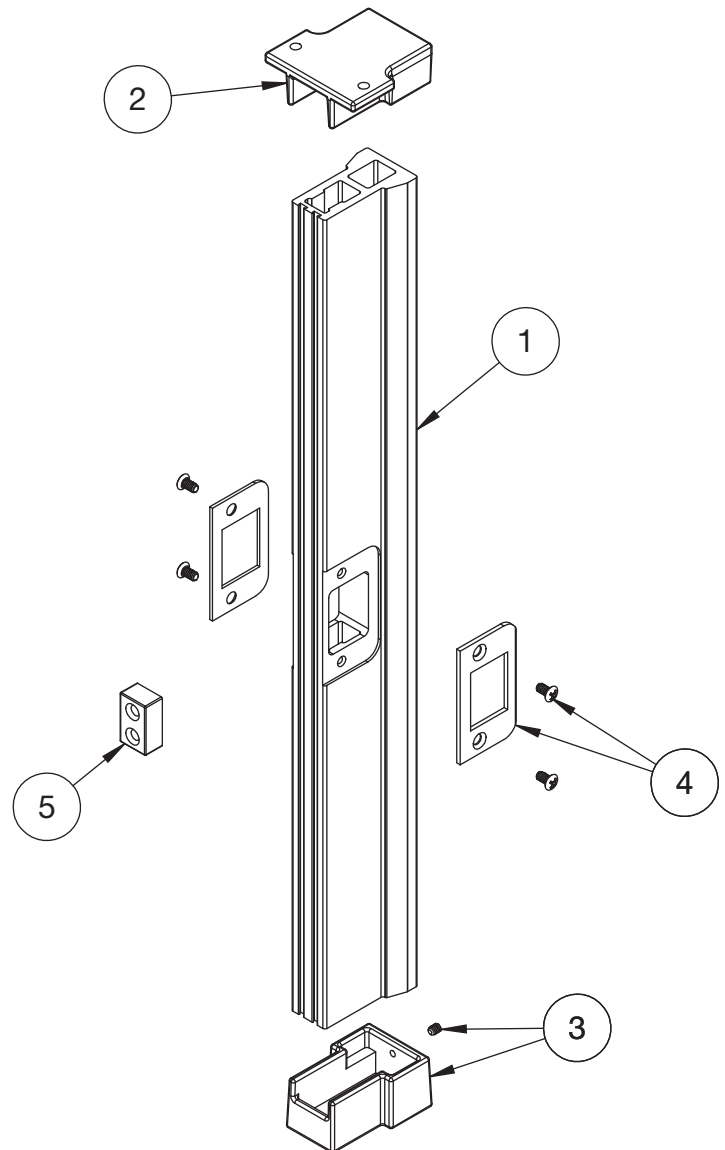
This product can expose you to lead which is known to the state of California to cause cancer and birth defects or other reproductive harm. For more information go to [www.P65warnings.ca.gov](http://www.P65warnings.ca.gov).

Chassis Assemblies

650A.....	3
980.....	4
L980 .....	5
L980S .....	6
12-L980.....	7
980S/12-980.....	8
12-HD980 .....	9
HC980.....	10
HCL980/12-HCL980.....	11
EL980 .....	12

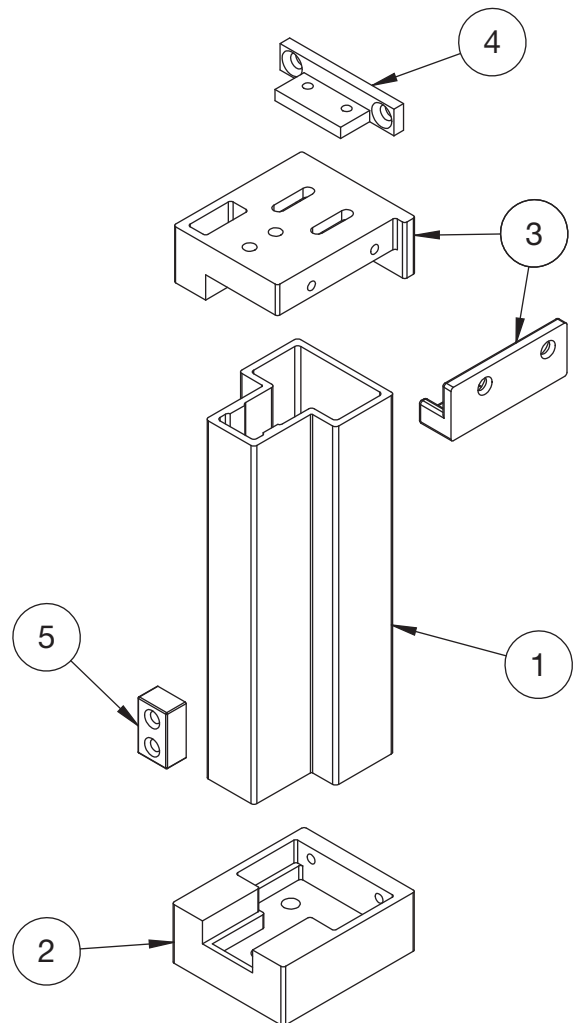
Item	Part No.	Description	Qty	Sellable
1	98-2555	Mullion, 8'	1	No
	98-2566	Mullion, 10'		No
2	94-2050	Top Retainer Pack <sup>1,2</sup>	1	Yes
3	94-2051	Bottom Retainer Pack <sup>1,2</sup>	1	Yes
4	658	Strike Pack	1	Yes
5	651	Stabilizer Block <sup>3</sup>	1	Yes

1. Retainer packs contain mounting fasteners.
2. Specify finish.
3. Mounts to the door.



Item	Part No.	Description	Qty	Sellable
1	98-0322	Mullion, 7' 2"	1	No
	98-0103	Mullion, 10'		No
2	502	Bottom Retainer Pack <sup>1</sup>	1	Yes
3	511	Top Retainer Pack <sup>1</sup>	1	Yes
4	507	Top Retainer Adapter, Optional	1	Yes
5	651	Stabilizer Kit, Optional <sup>2</sup>	1	Yes

- 1. Retainer packs contain mounting fasteners.
- 2. Mounts to the door.



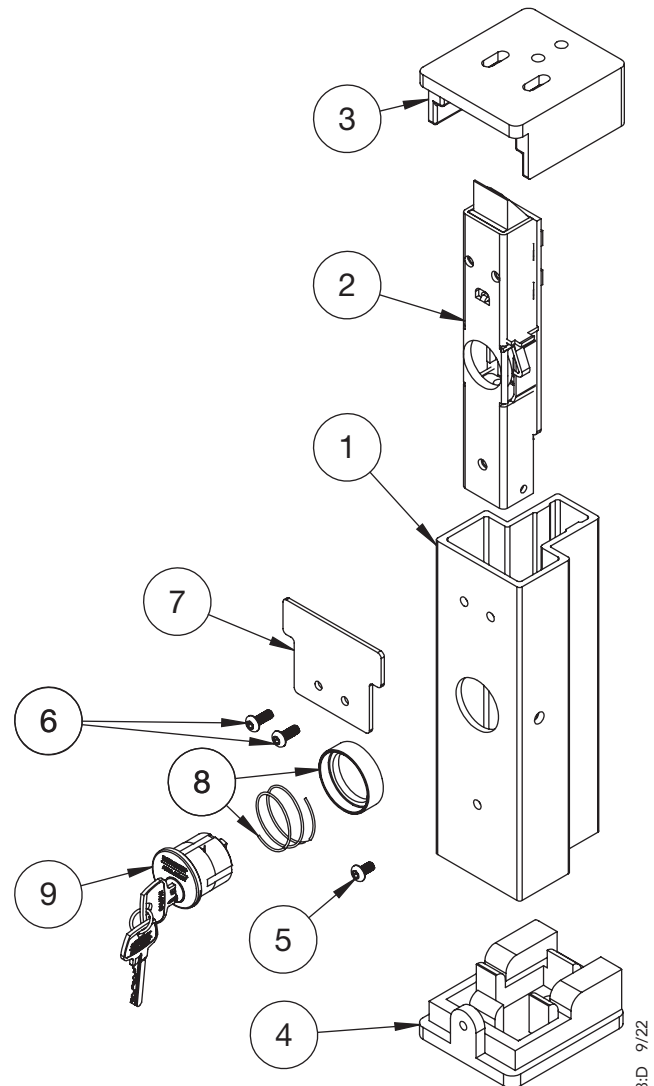
A8238:D 9/22

The warranty on SARGENT® products becomes void if the product is modified in any way, regardless of whether the modification causes or contributes to any alleged defect. If a SARGENT product is modified it may no longer meet industry certification and quality control standards applicable to the original product and is no longer a genuine SARGENT product.

Copyright © 2018-2020, 2022 SARGENT Manufacturing Company. All rights reserved. Reproduction in whole or in part without the express written permission of SARGENT Manufacturing Company is prohibited.

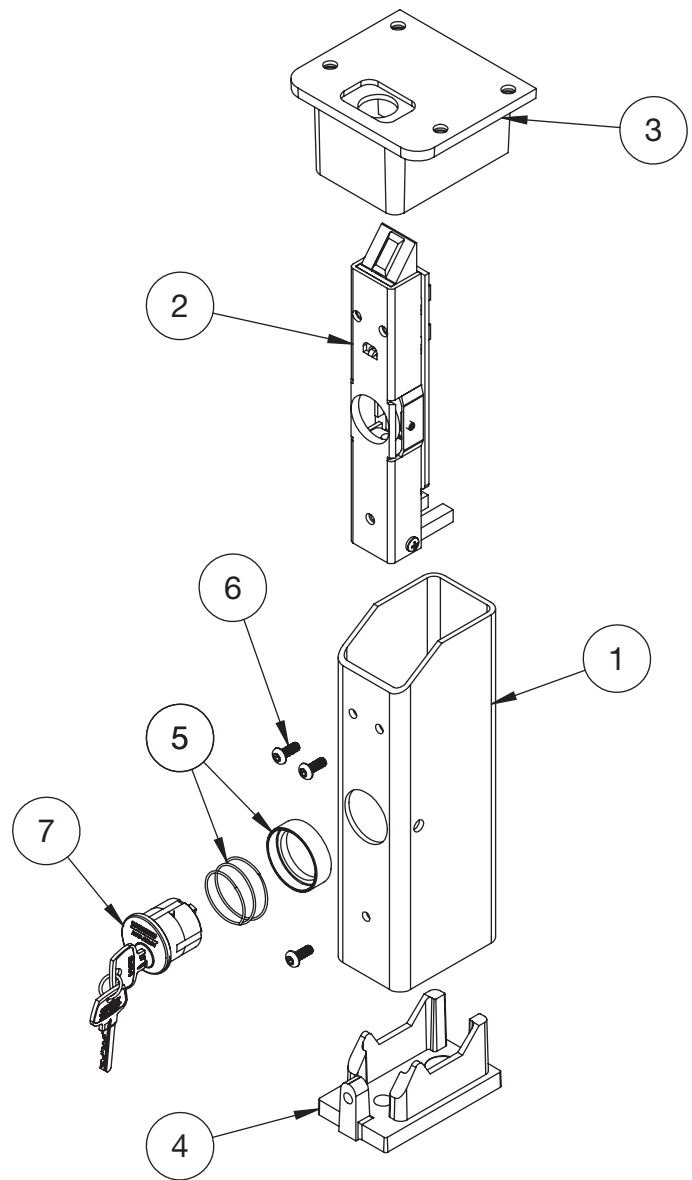
Item	Part No.	Description	Qty	Sellable
1	98-0324	Mullion, 7' 2"	1	No
	98-0268	Mullion, 10'		No
2	98-2518	L980 Latchbolt Assembly	1	Yes
3	98-2526	Top Retainer Pack <sup>3</sup>	1	Yes
4	98-2525	Bottom Retainer Pack <sup>3</sup>	1	Yes
5	01-1432	MS, Truss HD #10-32x3/8"	1	Yes
6	01-1431	MS, Truss HD #10-32x1/2"	2	Yes
7	98-0255	Support Plate	1	Yes
8	980C1	Mullion Cylinder Kit <sup>4</sup>	1	Yes
9	N/A	Cylinder <sup>2,4</sup>	1	Yes
—	651	Stabilizer Kit, Optional <sup>1</sup>	1	Yes

1. Mounts to the door.
2. Specify #41 cylinder by keying requirements.
3. Retainer packs contain mounting fasteners.
4. Specify finish.



Item	Part No.	Description	Qty	Sellable
1	98-0326	Mullion, 7' 2"	1	No
	98-0300	Mullion, 10'		No
2	98-2520	Latch Bolt Assembly	1	Yes
3	98-2559	Top Retainer Pack <sup>2</sup>	1	Yes
4	98-2556	Bottom Retainer Pack <sup>2</sup>	1	Yes
5	980C1	Mullion Cylinder <sup>3</sup>	1	Yes
6	01-1431	MS, Truss HD #10-32x1/2"	3	Yes
7	N/A	Cylinder <sup>1,3</sup>	1	Yes

1. Specify #41 cylinder by keying requirements.
2. Retainer packs contain mounting fasteners.
3. Specify finish.



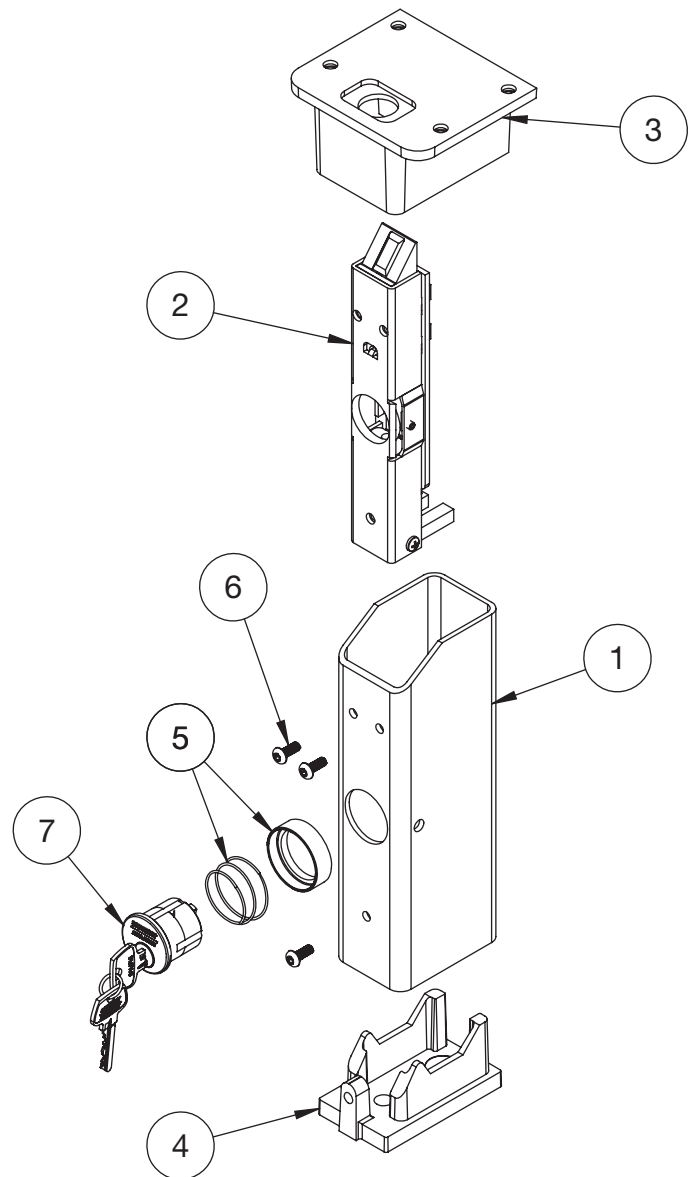
A8238:D 9/22

The warranty on SARGENT® products becomes void if the product is modified in any way, regardless of whether the modification causes or contributes to any alleged defect. If a SARGENT product is modified it may no longer meet industry certification and quality control standards applicable to the original product and is no longer a genuine SARGENT product.

Copyright © 2018-2020, 2022 SARGENT Manufacturing Company. All rights reserved. Reproduction in whole or in part without the express written permission of SARGENT Manufacturing Company is prohibited.

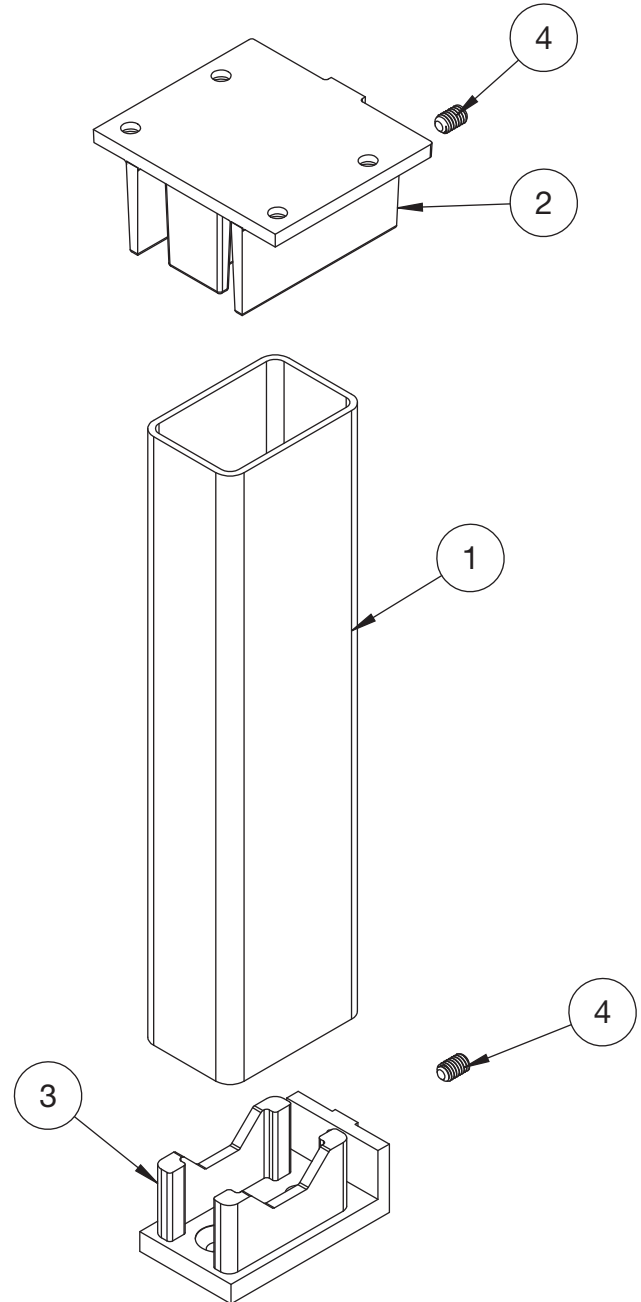
Item	Part No.	Description	Qty	Sellable
1	98-0300	Mullion, 10' (Fire rated only up to 8')	1	No
	98-0326	Mullion, 7' 2"		No
2	98-2520	Latch Bolt Assembly	1	Yes
3	98-2559	Top Retainer Pack <sup>2</sup>	1	Yes
4	98-2556	Bottom Retainer Pack <sup>2</sup>	1	Yes
5	980C1	Mullion Cylinder <sup>3</sup>	1	Yes
6	01-1431	MS, Truss HD #10-32x1/2"	3	Yes
7	N/A	Cylinder <sup>1,3</sup>	1	Yes

1. Specify #41 cylinder by keying requirements.
2. Retainer packs contain mounting fasteners.
3. Specify finish.



Item	Part No.	Description	Qty	Sellable
1	98-0323	Mullion, 7' 2"	1	No
	98-0160	Mullion, 10' (Fire rated only up to 8')		No
2	98-2190	Top Retainer Pack <sup>1</sup>	1	Yes
3	98-2191	Bottom Retainer Pack <sup>1</sup>	1	Yes
4	01-1135	Socket Set Screw <sup>3</sup>	2	No
5	98-2592	Bracket Pack <sup>2</sup>		Yes

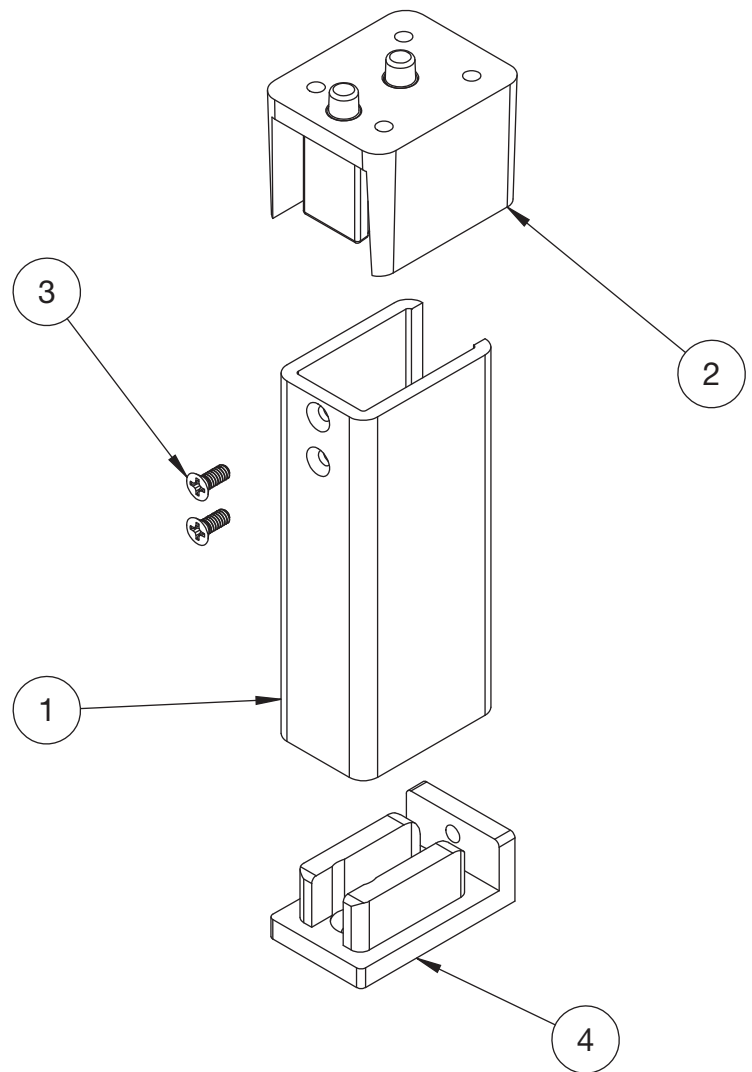
1. Retainer packs contain mounting fasteners.
2. For use on 12-980 only.
3. Item 4 included in item 2 and 3.





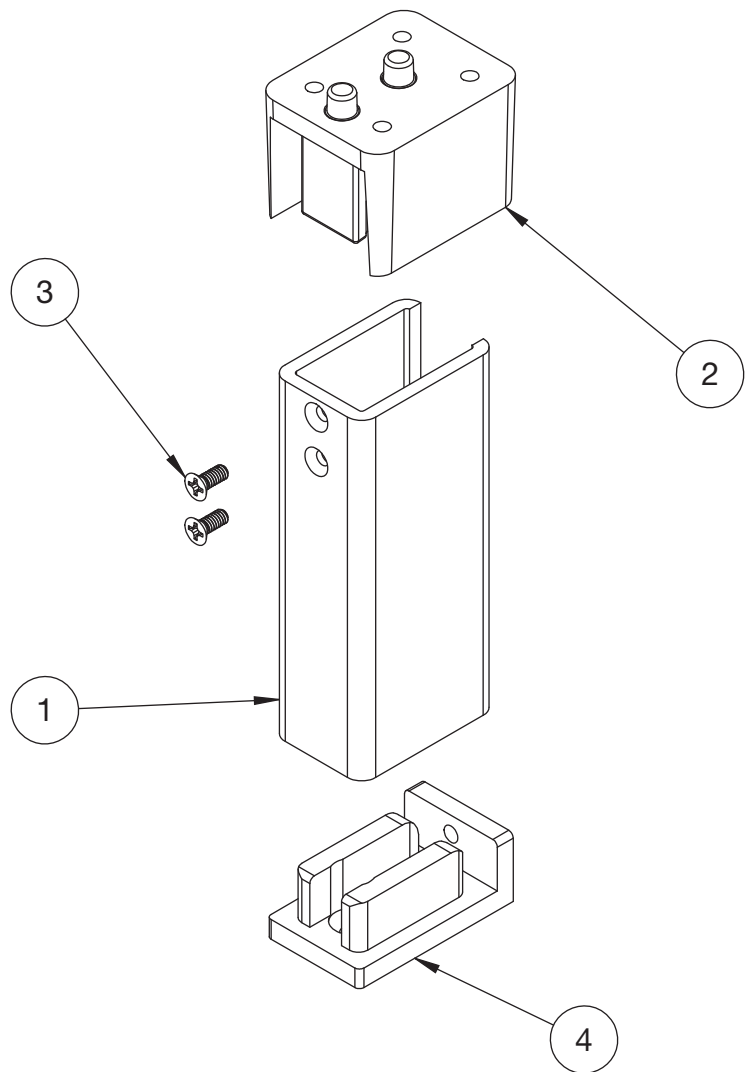
Item	Part No.	Description	Qty	Sellable
1	98-0306	Mullion, 10'	1	No
2	98-2599	Top Retainer Pack <sup>1</sup>	1	Yes
3	01-3449	MS PH 1/4-20x5/8" <sup>2</sup>	2	No
4	98-2600	Bottom Retainer Pack <sup>1</sup>	1	Yes
—	98-2591	Strike Pack	1	Yes

1. Retainer packs contain mounting fasteners.
2. Item 3 included in item 2.



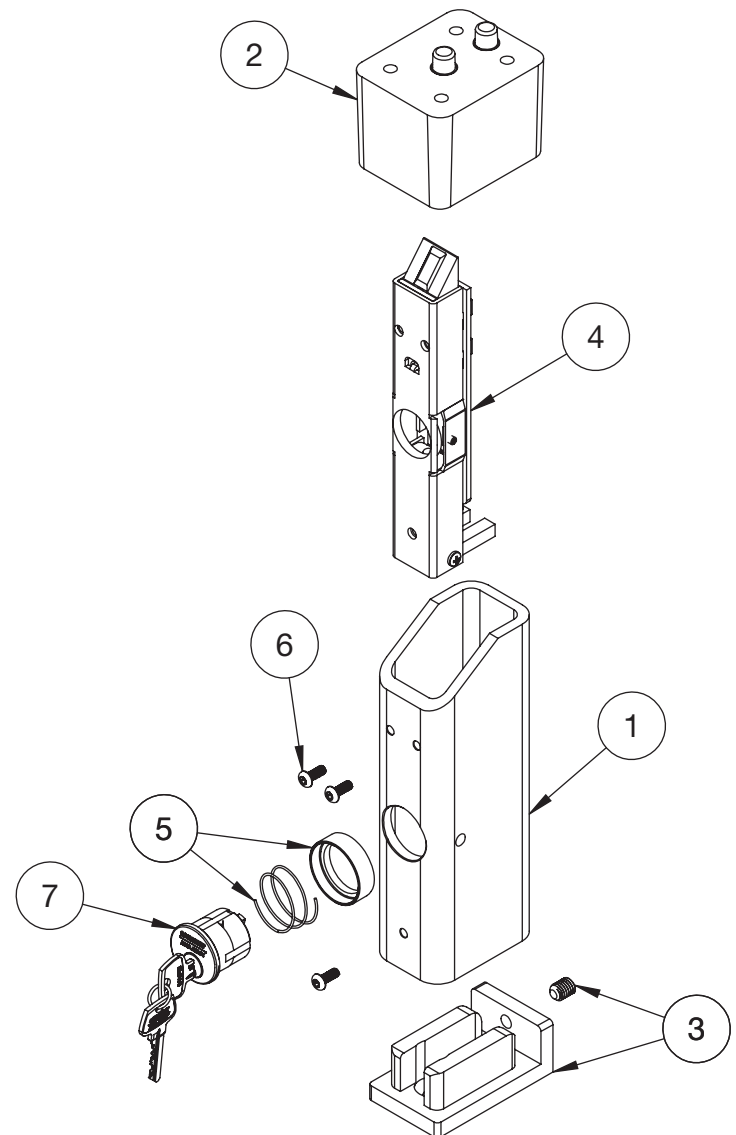
Item	Part No.	Description	Qty	Sellable
1	98-0285	Mullion, 8'	1	1
	98-0328	Mullion, 7' 2"		No
2	98-2599	Top Retainer Pack <sup>1</sup>	1	Yes
3	01-3449	MS PH 1/4-20x5/8" <sup>2</sup>	2	No
4	98-2600	Bottom Retainer Pack <sup>1</sup>	1	Yes

- 1. Retainer packs contain mounting fasteners.
- 2. Item 3 included in item 2.



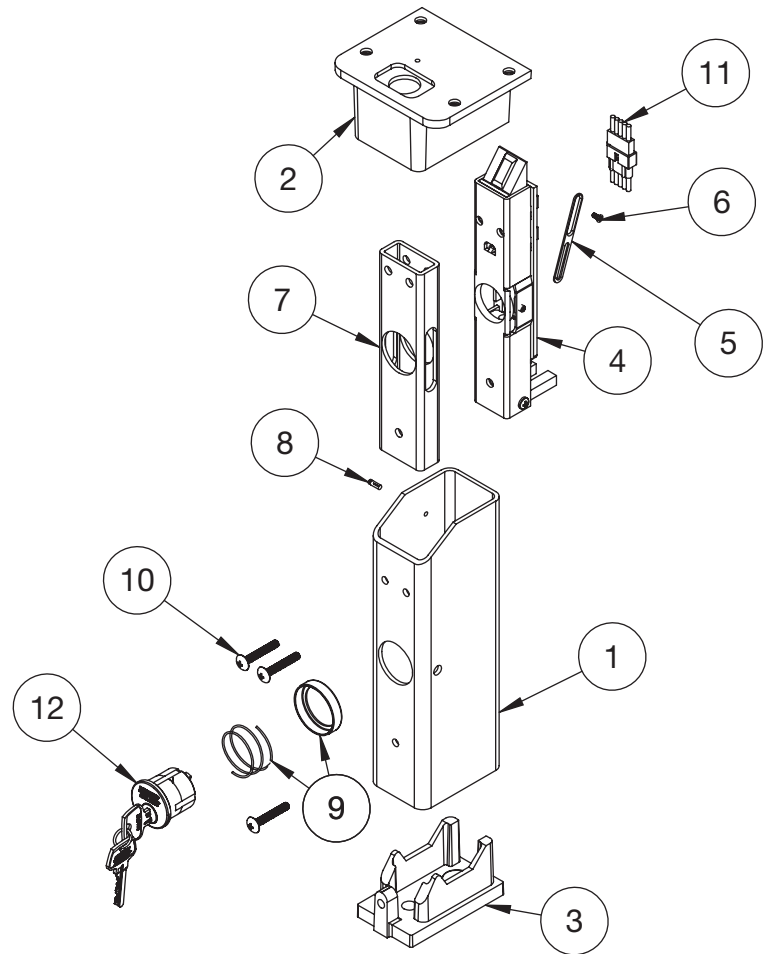
Item	Part No.	Description	Qty	Sellable
1	98-0310	Mullion, 8'	1	1
	98-0329	Mullion, 7' 2"		No
2	98-2593	Top Retainer Pack <sup>2</sup>	1	Yes
3	98-2594	Bottom Retainer Pack <sup>2</sup>	1	Yes
4	98-2520	Latchbolt Assembly	1	Yes
5	980C1	Mullion Cylinder Kit <sup>3</sup>	1	Yes
6	01-1431	MS, Truss HD 10-32x1/2"	3	Yes
7	N/A	Cylinder <sup>1,3</sup>	1	Yes

1. Specify #41 cylinder by keying requirements.
2. Retainer packs contain mounting fasteners.
3. Specify finish.



Item	Part No.	Description	Qty	Sellable
1	98-0325	Mullion, 7' 2"	1	No
	98-0251	Mullion, 10'		No
2	98-2558	Top Retainer Pack <sup>2</sup>	1	Yes
3	98-2556	Bottom Retainer Kit <sup>2</sup>	1	Yes
4	98-2520	Latchbolt Assembly	1	Yes
5	98-0272	Retaining Arm	1	No
6	01-4410	MS #4-40X1/4"	1	No
7	98-0258	Spacer Bridge	1	Yes
8	01-0007	Groove Pin	1	No
9	980C2	EL Cylinder Kit <sup>3</sup>	1	Yes
10	01-1433	Security Screw <sup>3</sup>		Yes
11	52-2285	Connector Assembly	1	Yes
12	N/A	Cylinder <sup>1,3</sup>	1	Yes

1. Specify #46 cylinder by keying requirements.
2. Retainer packs contain mounting fasteners.
3. Specify finish.



A8238:D 9/22

The warranty on SARGENT® products becomes void if the product is modified in any way, regardless of whether the modification causes or contributes to any alleged defect. If a SARGENT product is modified it may no longer meet industry certification and quality control standards applicable to the original product and is no longer a genuine SARGENT product.

Copyright © 2018-2020, 2022 SARGENT Manufacturing Company. All rights reserved. Reproduction in whole or in part without the express written permission of SARGENT Manufacturing Company is prohibited.



The ASSA ABLOY Group is the global leader in access solutions. Every day, we help billions of people experience a more open world.

ASSA ABLOY Opening Solutions leads the development within door openings and products for access solutions in homes, businesses and institutions. Our offering includes doors, door and window hardware, locks, access control and service.

**SARGENT**<sup>®</sup>  
**ASSA ABLOY**

SARGENT Manufacturing Company  
100 Sargent Drive  
New Haven, CT 06511 USA  
800-727-5477  
[www.sargentlock.com](http://www.sargentlock.com)

Founded in the early 1800s, SARGENT<sup>®</sup> is a market leader in locksets, cylinders, door closers, exit devices, electro-mechanical products and access control systems for new construction, renovation, and replacement applications. The company's customer base includes commercial construction, institutional, and industrial markets.  
Copyright © 2018-2020, SARGENT Manufacturing Company. All rights reserved. Reproduction in whole or in part without the express written permission of SARGENT Manufacturing Company is prohibited. Patent pending and/or patent [www.assaabloydss.com/patents](http://www.assaabloydss.com/patents).

A8238:D 09/22