


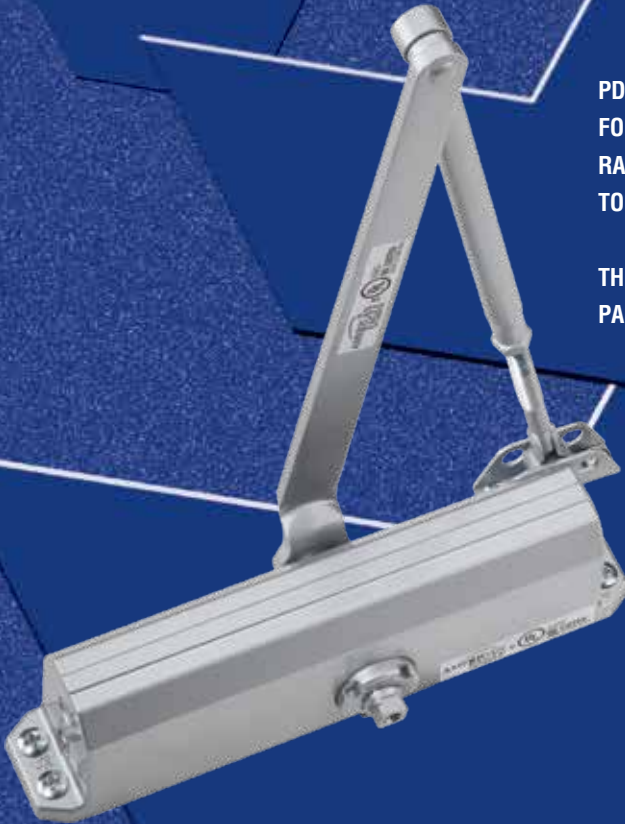


# 3100 Series

Commercial  
Door Control

PDQ'S INNOVATIVE DESIGN INCLUDES A 5 LB  SPRING SETTING FOR ADA COMPLIANCE, PLUS 6 ADDITIONAL SPRING SETTINGS. THE GREATER RANGE OF SPRING SETTINGS PROVIDES 17% MORE ADJUSTMENT CAPABILITY TO FIND THAT SWEET SPOT FOR OPTIMAL DOOR CLOSING ACTION

THE  SETTING IS AVAILABLE ON BOTH REGULAR/TOP JAMB AND PARALLEL ARM APPLICATIONS.



SPRING CUSHION STOP

3100 SHOWN WITH  
STREAMLINE COVER

## SPECIFICATIONS



- HANDING:**
  - Non-handed
- OPERATION:**
  - Rack and pinion design
- BODY:**
  - High strength aluminum alloy
- BODY DIMENSIONS:**
  - 9-13/16" W x 2-11/16" H
- ARM:**
  - Round style arm assembly
- ARM OPTIONS:**
  - Hold Open Arm
  - Track/Hold Open Arm
  - EDA (Extra Duty PA Arm). See How to Order Guide.
  - DS/DSHO heavy duty parallel stop arm
  - Spring Cushion Stop for DS/DSHO



SHOWN WITH OPTIONAL STREAMLINE COVER

## SPRING CUSHION STOPS



630 SATIN STAINLESS STEEL



613 OIL RUBBED BRONZE



605 BRIGHT BRASS

**PDQ's SCS Series Spring Cushion Stop helps reduce wear and tear on the opening. As the door begins moving through backcheck to its maximum opening angle, the stop acts as a shock absorber, dampening the impact forces.**



NOTE: PLUNGER SHOWN IN RED TO ENHANCE THE CUSHIONING FEATURE.



STOP SHOWN BEFORE DOOR IS FULLY OPENED



STOP SHOWN WHEN DOOR IS FULLY OPENED

- FACTORY DEFAULT SPRING SIZE, 1-4:**
  - Size 2
- PISTON:**
  - Hardened Steel
- FACTORY DEFAULT SPRING SIZE, 3-6:**
  - Size 3
- PISTON:**
  - Hardened Steel
- ADJUSTMENT:**
  - Adjustable controlled closing
  - Separate hydraulic backcheck standard
  - Separate sweep, latch and backcheck intensity valves
- SIZE:**
  - Adjustable spring size **BARRIER FREE** BF - 4 or 3 - 6 (see size selector table)
  - Available to meet barrier free opening force requirements
- MOUNTING:**
  - Common 9-1/16" x 3/4" mounting hole pattern retrofits Yale® 50, Norton® 1600 (For more comparisons, see cross reference table)
  - Tri-packed for regular, top jamb and parallel arm installations
  - Includes fasteners for metal and wood doors
  - Sex nuts and bolts standard
  - Self drilling self tapping screws available
  - Streamline plastic cover optional
- COVER:**
  - 10-5/8" W x 2-1/16" H
- COVER DIMENSIONS:**
  - 689 – Aluminum, 695 – Duro bronze, 696 – Gold
  - 605 (US3) – Bright Brass (PVD), 613 (US10B) – Oil Rubbed Bronze (PVD), 630 (US32D) – Satin Stainless Steel
  - Note: PVD (Physical Vapor Deposition) coated finishes offer outstanding resistance to wear, durability and corrosion.
- FINISHES CLOSERS:**
- FINISHES CUSHION STOPS:**
- CERTIFICATIONS, LISTINGS, COMPLIANCES:**
  - UL 228 listed
  - ANSI/UL 10C listed for labled swinging fire doors rated for up to and including 3 hours.
  - Certified to ANSI/BHMA A156.4-2006 Grade 1
  - Meets requirements of the Buy American Act
  - Complies with ADA (Americans with Disabilities Act) and ICC/ANSI 117.1 for Accessible and Usable Buildings
- WARRANTY:**
  - Twenty-Five (25) year limited warranty

## FINISHES

### ARCHITECTURAL



605 (US3)  
Bright Brass, Clear Coated



613 (US10B)  
Oil Rubbed Bronze, No Coating

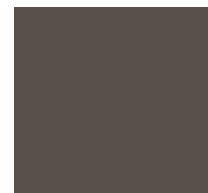


630 (US32D)  
Satin Stainless Steel, No Coating

### PAINTED



689 (US28)  
Aluminum



695 (N/A)  
Dark Duranodic Bronze



696 (US4)  
Satin Brass (Gold)

Finishes shown are representative only. PDQ cannot guarantee that product shipped will match finishes shown. Not all products are available in all finishes listed.

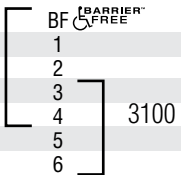
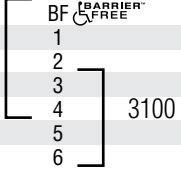
## HOW TO ORDER

SERIES		APPLICATION		FINISH	
31 - 3100 Series Door Closer		BC – Adjustable Hydraulic Backcheck (Standard)		689 – Aluminum 695 – Dark Duraonodic Bronze 696 – Gold	
31	00	BC	PA	689	—
00 – Adjustable Size 3-6 01 – Adjustable Size BARRIER™ (BF -4)		DS – Door Saver Arm1 DSHO – Door Saver Hold Open Arm 2 HO – Hold Open, Tri-Pack2 PA – Tri-Pack (standard) SCS – Spring Cushion Stop SV – Streamline Cover TA – Track Arm2 TAHO – Track Arm Hold Open2		Blank – SNB (standard) BP – Back Plate DP – Drop Plate NFB – Narrow Frame Bracket SCS – Spring Cushion Stop SDST – Self Drilling Self Tapping Screws BS – Blade Stop Spacer SV – Streamline Plastic Cover	
SIZE		BACKCHECK		OPTIONS	

Ordering Example: 3100 BCPA 689

NOTES: 1 - For EDA (Extra Duty PA Arm) applications, remove stop from soffit bracket. Requires separate limiting stop by others. 2 - Not appropriate for use on fire labeled doors.

## SIZE SELECTOR

APPLICATION	CLOSER SIZE	INTERIOR	EXTERIOR
Regular / Top Jamb	3101 	5 lbf (36" door)	NA
		32"	28"
		36"	32"
		42"	36"
		48"	42"
		54"	48"
Parallel Arm	3101 	5 lbf (36" door)	NA
		28"	NA
		32"	28"
		36"	32"
		42"	36"
		48"	42"
		54"	48"

Note: 3100 Series Closers can be adjusted to meet ADA barrier free applications. Strict compliance with ADA barrier free requirements may result with door not fully closing and latching. Check with local AHJ. Closer sizes may vary due to site conditions.

## CROSS REFERENCE

MANUFACTURER	PDQ	CAL ROYAL®	CORBIN/RUSSWIN®	DORMA	DOR-O-MATIC®	HAGER®	K2®	LCN®	NORTON/YALE®	SARGENT®	STANLEY®	YALE
SERIES	3100	300	N/A	7400	SC60	5300 LESS COVER	ODC300	1260	1600/50	1130	D-1650	50
MOUNTING HOLE PATTERN RETRO-FIT	YES	YES	NO	NO	YES	NO	YES	YES	YES	YES	YES	YES

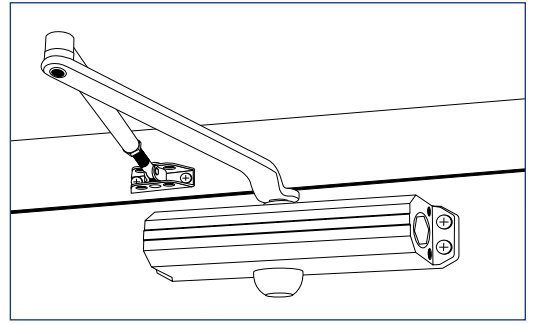
Information on this sheet is compiled from public documents and third parties. As a result, PDQ makes no guarantees as to their accuracy, content, quality or availability. Comparisons were made using the technical features only and are not commercial comparisons. Final suitability should be determined by a professional architectural hardware consultant.

## SUGGESTED ARCHITECTURAL SPECIFICATIONS

All door closers shall be full rack and pinion construction, cast aluminum closer body, round style arm assembly and optional streamline cover. Hydraulic control shall be through separate noncritical sweep, latch and backcheck valve adjustment. Closers shall be non-handed, suitable for regular, top jamb and parallel arm applications with fasteners for wood and metal doors and frames. Sex nuts and bolts shall be furnished standard. Closers shall be available in adjustable spring size Barrier Free plus sizes 1-4 or 3-6. Closers shall be UL 10C listed and certified to ANSI/BHMA A156.4-2006 Grade 1. Barrier Free plus sizes 1-4 meets ADA requirements when used on a 36" door.

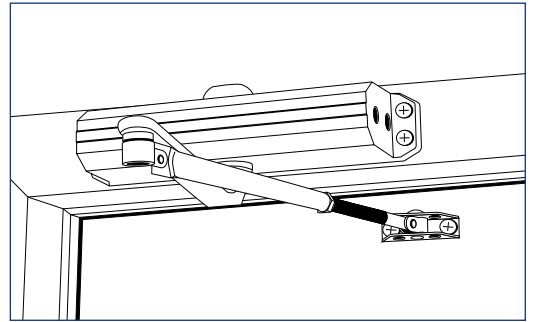
## REGULAR ARM

Regular arm mount is a pull side application with double lever arm. The closer mounts on the door and the arm mounts to the frame. It provides the most efficient operation for a door control and is commonly used on in-swing doors from corridors or other interior doors. Regular arm mount is a poor choice for exterior out-swinging doors as it would put the closer on the exterior of the building. The arm assembly projects directly out from the frame. That may be a concern for vandalism or aesthetics. Regular arm application can be used with non-hold open or hold open arms.



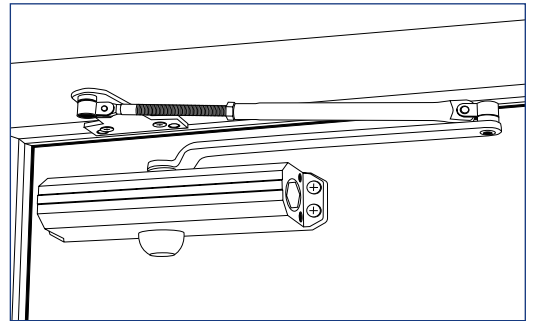
## TOP JAMB

Top jamb mount is a push side double lever arm application that offers the best alternative to regular arm mount. The closer mounts to the frame and the arm mounts to the door. This application is commonly used on exterior out-swinging doors. It is a poor application for in-swinging doors from a corridor as it places the closer arm in a visible application projecting into the corridor. The arm projects out similar to regular arm mount. Therefore, it can be a concern for vandalism or aesthetics. Top jamb application can be used with non-hold open or hold open arms.



## PARALLEL ARM

Parallel arm mount is a push side double lever arm application. The closer is installed on the push side of the door and the arm is mounted to a parallel arm adapter plate installed to the frame soffit. The arm is approximately parallel with the face of the door, eliminating the projection condition evident with regular arm and top jamb applications. Parallel arm is often preferred where aesthetics or vandalism are concerns. Parallel arm is less efficient than regular or top jamb mounts due to the geometry of the arm. Parallel arm application can be used with non-hold open or hold open arms.

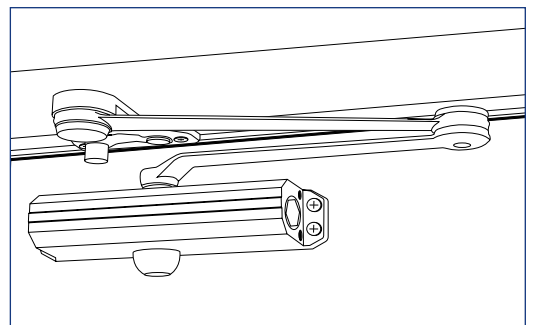


## PARALLEL ARM (DS/DSHO) STOP ARM

The parallel stop arm mount is an enhanced version of the parallel arm application. It is similar to the parallel arm mount but incorporates a heavy duty rigid arm and soffit plate with limiting dead stop. The dead stop feature is field handed. The closer's backcheck function should be adjusted to cushion the impact of the stop. The parallel stop arm is intended for use where an auxiliary stop cannot be utilized. The parallel stop arm is available in non-hold open (DS) and hold open (DSHO) applications. For EDA (Extra Duty PA Arm) applications, remove stop from soffit bracket. Requires separate limiting stop by others.

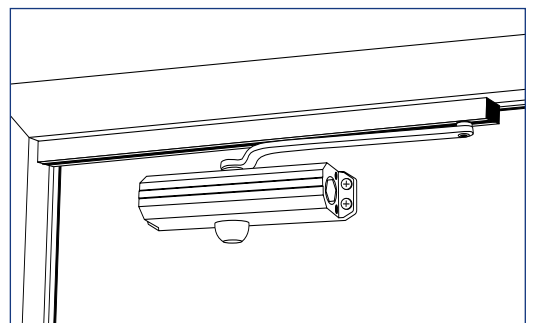


**Recommend using the SCS Spring Cushion Stop for moderate to high abuse installations.**



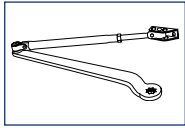
## TRACK ARM (TA)

The Non Handed Track arm mount incorporates a single forged main arm for installation in high use, high abuse door applications. Its low profile helps prevent damage.

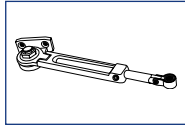




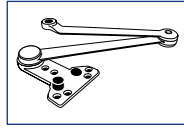
## ACCESSORIES/OPTIONS



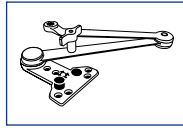
**REGULAR ARM - RA\*** Can be mounted REG/TJ/PA (requires PA bracket)



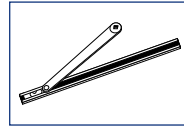
**HOLD OPEN ARM - HO** Can be mounted REG/TJ/PA (requires PA bracket)



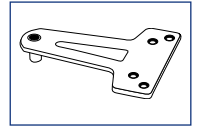
**DOOR SAVER ARM - DS** PA application only



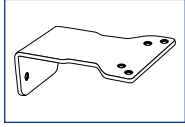
**DOOR SAVER ARM - DSHO** PA application only



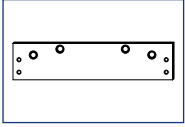
**TRACK ARM ASSEMBLY - TA / TRACK ARM** HOLD OPEN - TAHO



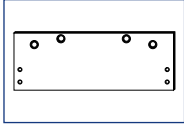
**PARALLEL ARM BRACKET - PA\*** Non-hold open applications



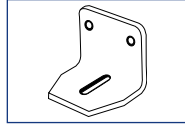
**PARALLEL ARM HO BRACKET - PAHO\*\*** Hold open applications



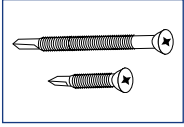
**BACK PLATE - BP** For regular arm applications to clear mortised stop/holders or for TJ with limited ceiling clearance



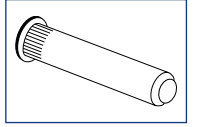
**TOP JAMB DROP PLATE - DPTJ** Provides greater drop (TJ) than BP to provide clearance for surface applied stop/holder, also required for PA applications with limited top rail.



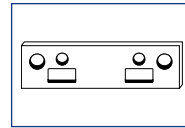
**NARROW FRAME BRACKET - NFB** For use w/DS/DSHO arms & BS spacer for added reinforcement with narrow frame applications



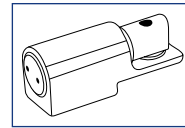
**SELF DRILLING SELF TAPPING SCREWS - SDST**



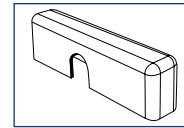
**SEX NUTS AND BOLTS - SNB\*** — For through bolting on unreinforced, hollow core, composite or labeled fire doors, 1-3/4" only



**BLADE STOP SPACER - BS** Shims all PA brackets to clear 1/2" blade stop typical on aluminum storefront frames



**SPRING CUSHION STOP - SCS** For use w/DS/DSHO (PA mount) arms only



**STREAMLINE PLASTIC COVER - SV**

\*Included with all closers

## ANSI FUNCTIONS TO PDQ MODELS

ANSI NUMBER	MOUNTING	PDQ MODEL	ANSI FUNCTIONS					
			PT-4A	PT-4C	PT-4D	PT-4E	PT-4G	PT-4H
C02011	HINGE SIDE	3100BCPA	X	X	X	X		X
		3101BCPA	X	X	X	X		X
C02021	PARALLEL	3100BCDS	X	X	X	X	X	X
		3101BCPA	X	X	X	X		X
		3101BCDS	X	X	X	X	X	X
C02041	TOP JAMB	3100BCPA	X	X	X	X		X
		3101BCPA	X	X	X	X		X
C02051	HINGE SIDE HOLD OPEN	3100BCHO	X	X	X	X		X
		3101BCHO	X	X	X	X		X
C02061	PARALLEL HOLD OPEN	3100BCDSHO	X	X	X	X	X	X
		3100BCHO	X	X	X	X		X
		3101BCDSHO	X	X	X	X	X	X
		3101BCHO	X	X	X	X		X
C02081	TOP JAMB HOLD OPEN	3100BCHO	X	X	X	X		X
		3101BCHO	X	X	X	X		X
C02211	HINGE SIDE TRACK	3100BCTA	X	X	X	X		X
		3101BCTA	X	X	X	X		X
C02221	HINGE SIDE HOLD OPEN TRACK	3100BCTAHO	X	X	X	X		X
		3101BCTAHO	X	X	X	X		X
C03011	HINGE SIDE	3100BCPA	X	X	X	X		X
		3101BCPA	X	X	X	X		X
C03021	PARALLEL	3100BCPA	X	X	X	X		X
		3101BCDS	X	X	X	X	X	X
		3101BCPA	X	X	X	X		X
C03041	TOP JAMB	3100BCPA	X	X	X	X		X
		3101BCPA	X	X	X	X		X
C03051	HINGE SIDE HOLD OPEN	3100BCHO	X	X	X	X		X
		3101BCHO	X	X	X	X		X
C03061	PARALLEL HOLD OPEN	3100BCHO	X	X	X	X		X
		3101BCDSHO	X	X	X	X	X	X
		3101BCHO	X	X	X	X		X
C03081	TOP JAMB HOLD OPEN	3100BCHO	X	X	X	X		X
		3101BCHO	X	X	X	X		X
C03211	Track Arm	3100BCTA	X	X	X	X		X
		3101BCTA	X	X	X	X		X
		3100BCTAHO	X	X	X	X		X
		3101BCTAHO	X	X	X	X		X

**WHEN TIME EQUALS MONEY**

# PDQ'S *PRIORITY QUICKSHIP* DELIVERS

**AUBURN, WA 98001**

**SALT LAKE CITY, UT 84115**

**KANSAS CITY, MO 64116**

**2754 CREEK HILL ROAD  
LEOLA, PA 17540**

**Our Four Distribution Centers are ideally located to provide quick delivery throughout the entire United States. Priority Quickship items will ship same day or next day after the order is received. Contact your sales representative or PDQ Customer Service for more information.**



**Headquarters: 2754 Creek Hill Road • Leola, PA 17540 • 800.441.9692 • 717.656.6892 Fax**  
**Regional Distribution Centers: Kansas City, MO, Salt Lake City, UT, Seattle, WA**  
[www.pdqlocks.com](http://www.pdqlocks.com)

PDQ'S 3100 Series Brochures are now printed entirely on Forest Stewardship Council™ certified paper. FSC Certification ensures that the paper used in this catalog contains fiber from well-managed and responsibly harvested forests that meet strict environmental and socioeconomic standards. We're proud to be one of the first hardware manufacturers in the country to make this significant move to help our environment. The FSC logo on our brochure signals not only FSC Certification, but also PDQ's commitment to improving the environment.

