

# E-Plex® 2000

## Standalone pushbutton Lock



### Features and benefits:

- Locks are non-handed and easily changed in the field.
- Requires no wiring to or through the door
- Multiple Users—100 Codes
- 1000 event audit trail
- Simple keypad programming
- Multiple operating modes; PIN, Passage and Lockout
- Cylindrical latch or MS2 mortise locking options
- Optional Key-in-Lever cylinder in Schlage "C" Keyway; Small format—Best and equivalent (6 or 7-pin length)

### Operation Modes

- PIN access
- Passage (toggled on/off or can be pre-programmed to re-lock after a set number of hours)
- Lockout

### Reliable standalone pushbutton lock

The E-Plex 2000 Series provides exterior access by combination, while allowing free egress. This electronic pushbutton lock eliminates problems and costs associated with issuing, controlling, and collecting keys and cards. It has up to 100 access codes that are simply and quickly programmed via the keypad or with optional Microsoft Excel-based software. E-Plex 2000 locks are powered by 3 AA batteries that load into a slide-up battery tray in the housing, which

eliminates wires needed at the door and allows for continuous operation up to 100,000 cycles depending on frequency of use.

Provides exterior access by PIN code, while allowing free egress. Eliminates issues and costs associated with managing credentials or keys. The lock's traditional telephony style keypad and simple programming options provide convenient, cost efficient and durable access control.

### Locking Device Options:

- **Cylindrical:** Cylindrical latch with 3-hour UL/ULC fire rating
- **Exit Device:** Compatible with most leading brands of Exit Devices; See list under "Exit Device Compatibility" (Exit Device and Mounting Hardware not included)
- **Standard Mortise:** With 1-1/4" (32 mm) face plate; with and without deadbolt, auto dead bolt also available

## Specifications

Authority levels	Code length — Adjustable to accept 4 to 8 digits Anti-tamper lockout — Adjustable from 3 to 9 invalid attempts with an adjustable period of 0 to 90 seconds Relock time — Adjustable from 2 to 20 seconds
------------------	---

User Parameters	Five different levels allow who has access to specific lock functions, including: Master Level — performs all set-up and programming functions Manager Level — administers common programming functions Access User Level — entry granted with valid PIN Service Level — codes for single event or single day access, programmable in advance Maintenance Level — no access is granted, information can be uploaded/downloaded to/from the lock
-----------------	--

### Mechanical Features

Construction	Heavy-duty commercial Grade 1 lockset, solid cast exterior housing, solid cast levers, cylindrical drive wear tested for extensive use in indoor and outdoor applications
--------------	---

Numeric Keypad	Vandal resistant, solid metal pushbuttons
----------------	---

Backset	Cylindrical: 2 ¾" (70 mm) backset, 2 3/8" (60 mm) backset Mortise: 2 ¾" (70 mm) backset Exit Trim Model: Varies by exit device
---------	--

Latches	Cylindrical Models: ½" (13 mm) throw latch Mortise Models: ¾" (19 mm) latch, 1" (25 mm) dead bolt (optional) and auto dead bolt (optional)
---------	---

Strikes	Cylindrical locks packaged standard with both ANSI A115.3 "T" Strike and A115.2 ASA Strike
---------	--

Exit Device	Not supplied (see list below for compatibility)
-------------	---

Exit Device Latch	Supplied with Exit Device
-------------------	---------------------------

Exit Device Hub Rotation	Up to 60°
--------------------------	-----------

Minimum Stile Required	5" (127 mm)
------------------------	-------------

Weight	Cylindrical and Mortise Models: 8 lbs. (3.63 kg) Exit Trim Models: 10 lbs. (4.54 kg)
--------	---

Finishes	Standard: Satin Chrome 26D (626) housings and levers Optional: Satin Brass 04 (606) housings and levers
----------	--

## Exit Device Compatibility

Arrow Rim # 3800	Sargent Rim # 8800
Corbin Rim # 5200	Von Duprin Concealed Vertical Rod #s 9847/9947
Detex Rim # F1001	Von Duprin Mortise #s 9875/9975
Detex Surface Vertical Rod #s 20/F20	Von Duprin Rim #s 89/99
Dorma Rim # F9300	Von Duprin Surface Vertical Rod #s 9827/9927
Precision Rim #s 21/FL21	Yale Concealed Vertical Rod # 7160
Precision Surface Vertical Rod #s 22/FL22	Yale Rim # 7100

ATTENTION: Compatibility is subject to change if modifications are made by Exit Device manufacturers without Kaba's knowledge.

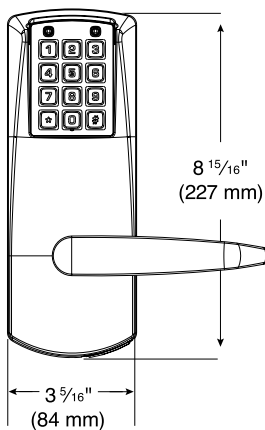
## Key Override Options

Key-in-Lever Cylinder	Kaba 1539 6-pin cylinder—Schlage "C" Keyway
Interchangeable Core	Small format—Best and equivalent (6 or 7-pin length); cylinder not included

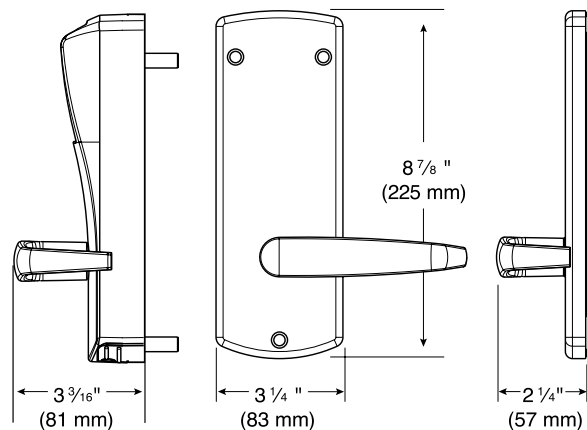
## Installation

Ease of Installation	No wiring to or through the door—no risk of pinched wires
Door Preparation	Cylindrical and Exit Trim — ASA 161 (Easily installs on door preparation with three additional through bore holes (wood or metal doors) Mortise — ASA 86 door preparation with three additional through bore holes
Door Thickness	Cylindrical Model: 1 3/8" (35 mm) to 2 1/2" (64 mm); Pre-assembled to accommodate doors 1 5/8" (41 mm) to 2" (50 mm)
Items Supplied Include	Cylindrical/Mortise: Lock assembly, installation manual, template, quick reference guide, operations manual, and required hardware Exit Trim: Lock assembly, installation manual, template, quick reference guide, operations manual, and required hardware Exit Device and mounting hardware not included.
Additional Items (Supplied with Key-in-Lever Model Only)	Includes Universal Kaba 1539 6-pin cylinder in Schlage "C" Keyway with two nickel silver keys
Accessibility Standard	Americans with Disabilities Act (ADA)
Fire Rating	UL 10C fire rated
Durability	ANSI/BHMA Grade 1 Certified (A156.25, A156.2, A156.13, A156.3)
Environmental	Indoor/Outdoor approved; -31 °F (-35 °C) to 151 °F (66 °C); Windstorm approved/certified
Warranty	3-year warranty from date of installation; built-in warranty counter in lock memory

## Cylindrical

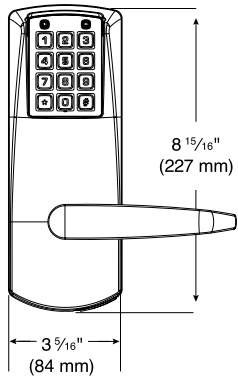


E-Plex 2000 Exterior

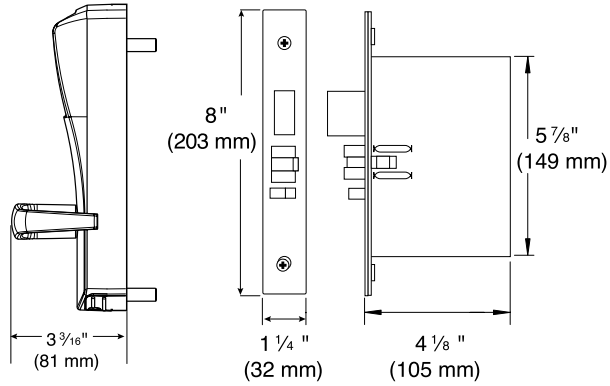


E-Plex 2000 Interior

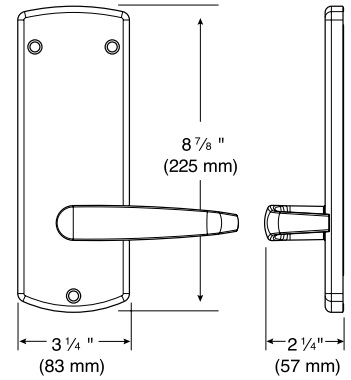
## Mortise



E-Plex 2000 Exterior

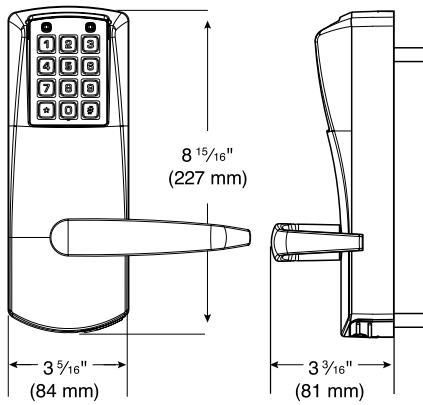


E-Plex 2000 Mortise

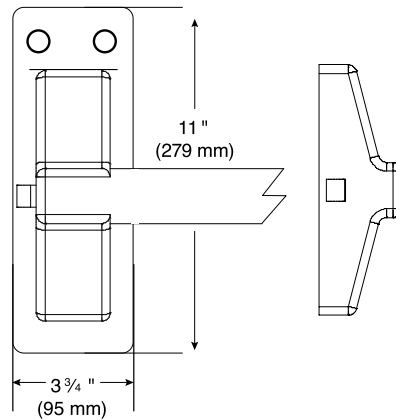


E-Plex 2000 Interior

## Exit Trim



E-Plex 2000 Exterior



E-Plex 2000 Interior  
(Exit device not included)

Any questions? We would be happy to advise you.

Contact us at: 1-888 539-7226