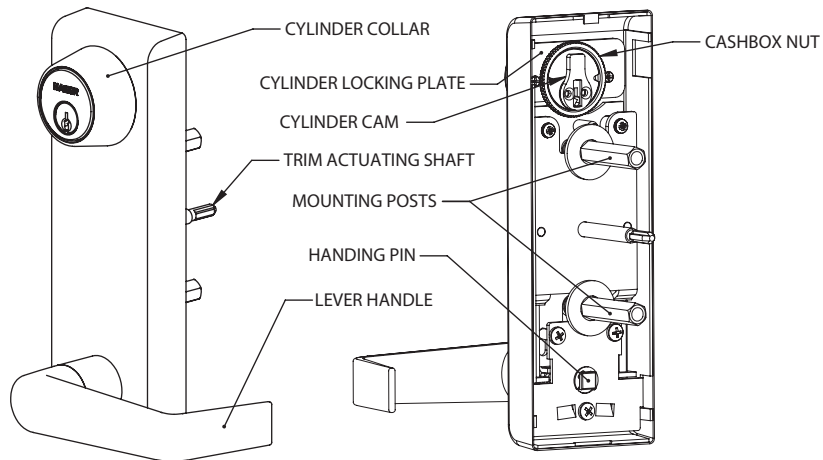


DEVICES COVERED IN THESE INSTRUCTIONS:

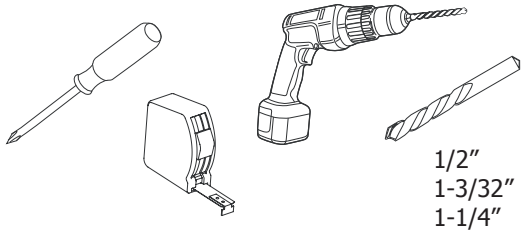
- | | | | |
|------|--------------------------------------|------|---|
| 47DT | Dummy-Pull When Dogged | 47CE | Cylinder Escutcheon - Key Locks & Unlocks Lever |
| 47NL | Night Latch - Key Retracts Latchbolt | 47BE | Blank Escutcheon - Always Operable |



47CE CYLINDER ESCUTCHEON SHOWN

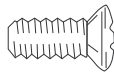
TOOLS

Tools Required



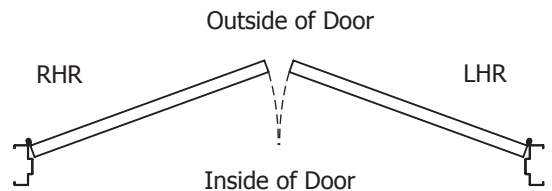
1/2"
 1-3/32"
 1-1/4"

Machine Screws



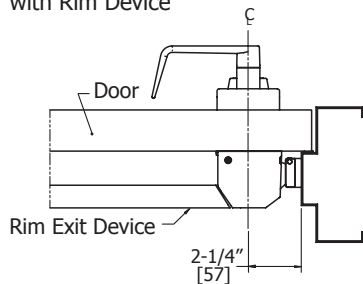
1/4" - 20

Door Handing

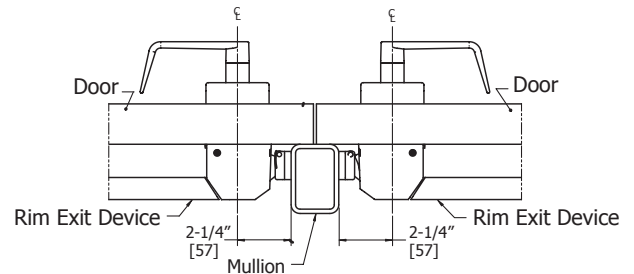


APPLICATIONS

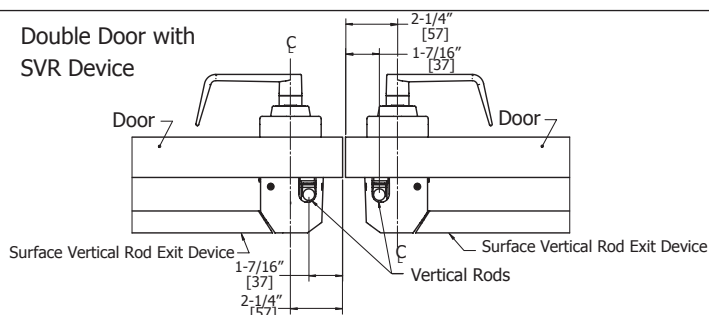
Single Door with Rim Device



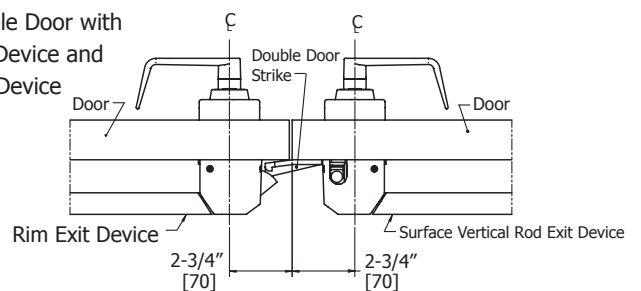
Double Door with Mullion



Double Door with SVR Device



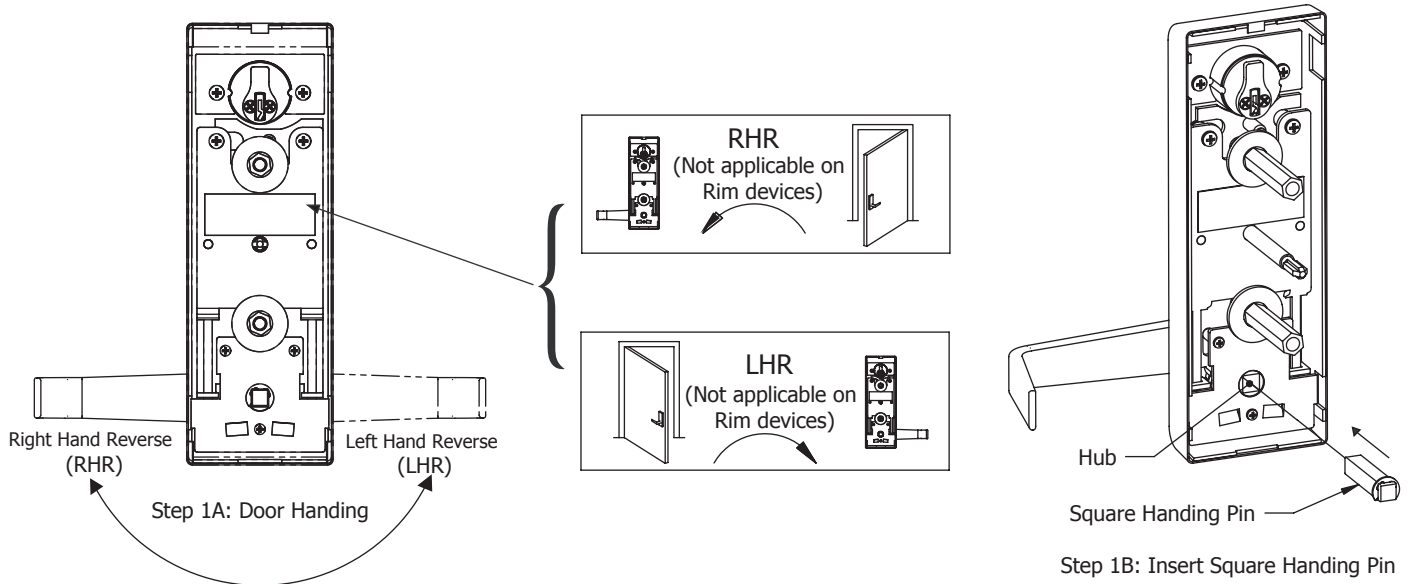
Double Door with Rim Device and SVR Device



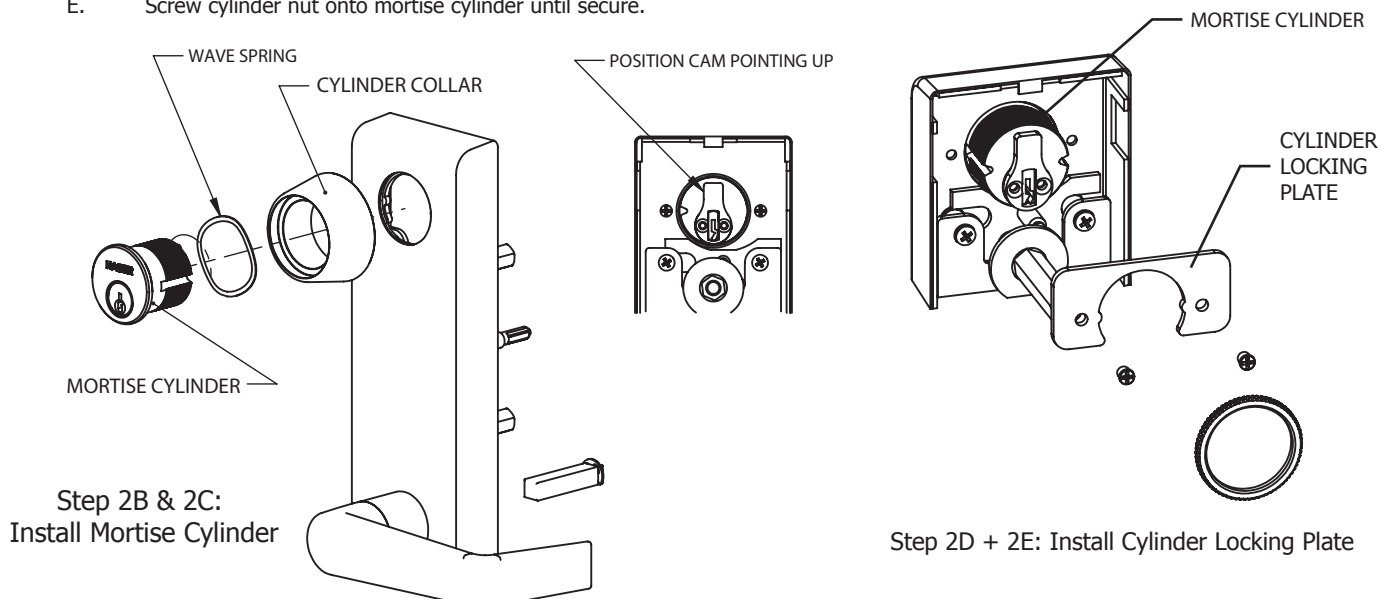
INSTRUCTIONS

1. Set trim handing.
 - A. Rotate lever handle to the right or left direction to match desired door handing.
 - B. Insert square handing pin into hub as shown.
 - C. For Surface Vertical Rod devices only, be sure the handing matches what is indicated on the product box label. Surface Vertical Rod handing cannot be changed in the field.

Note: See back of trim for a label that indicates which direction to position handle for RHR or LHR handing. The label also indicates which direction the trim actuating shaft should rotate.



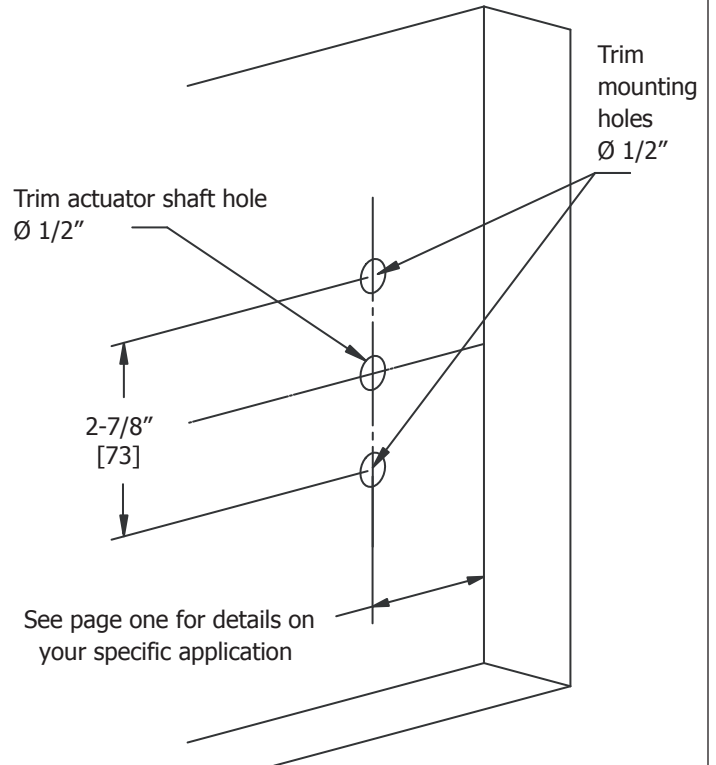
2. Install mortise cylinder.
 - A. Remove key from mortise cylinder.
 - B. Slide wave washer (if desired) and cylinder collar onto mortise cylinder body.
 - C. Install mortise cylinder into escutcheon trim with cam position as shown.
 - D. Install cylinder locking plate and use stet screws to secure.
 - E. Screw cylinder nut onto mortise cylinder until secure.



INSTRUCTIONS (CONTINUED)

3. Mark and drill mounting holes for escutcheon trim.

- A. Mark horizontal centerline by matching it to exit device centerline, which can be found on push side of door.
- B. Apply template to door using centerline. Refer to Applications section on page one to determine location of vertical centerline. Vertical centerline should match exit device vertical centerline located on push side of door.
- C. Mark and drill 1/2" holes for mounting posts as shown on template.
- D. Mark and drill 1/2" hole for trim actuator shaft, which mates with exit device (not required for 47DT). See exit device instructions for further details.



4. Install escutcheon trim.

- A. Insert trim mounting posts and actuating shaft through door.
- B. Mate trim actuating shaft with cam on back of exit device.
- C. Secure from push side of door with provided 1/4" - 20 screws.
- D. Test installation by rotating lever handle or key to verify trim activates exit device.

Note: Dummy trim is only for pulling door. The handle does not rotate.

