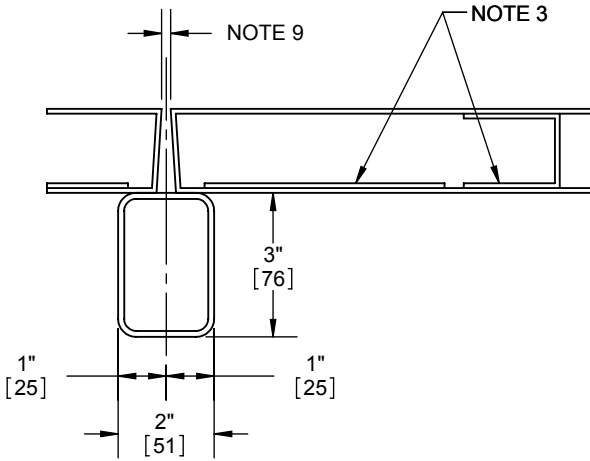


4700 RIM DEVICE WITH 4900 MULLION DOOR PREP TEMPLATE

APPLICATION FOR METAL AND WOOD DOORS (FOR PANIC AND FIRE RATED DEVICES)



NOTES:

1. Preparation is typical for both doors.
2. Minimum Stile width:
 - 5" for double doors with 2" mullion.
3. Provide door stiffeners as needed to prevent door collapse due to installation with power tools, door use, or abuse.
4. Device mount (end cap bracket) to hinge stile (not shown) requires hole location and preparation during device installation.
5. For outside trim preparation see appropriate trim template.
6. Recommended height may be determined by design spec's.
7. Device mounting holes (2 places)
 - Metal door: 1/4"-20 Tap (std.).
 - Wood door (solid core): Pre-drill ϕ 1/8" holes.
 - SNB: ϕ 5/16" inside door face, ϕ 3/8" outside door face.
 - Trim: ϕ 5/16" inside door face, ϕ 1/2" outside door face.
 - Check building and fire codes to see if your application requires the use of SNB (sleeve nuts and bolts).
8. Trim Tailpiece hole:
 - For BE, CE & NL trim: ϕ 1/2" (thru hole)
 - Dummy trim: not required
9. Per ANSI/SDI A250.8, pairs of doors $3/16" \pm 1/16"$, and fire rated pair $1/8" \pm 1/16"$. Consult design spec's before preparing doors.
10. Strike to be field mounted using exit device installation instructions.
11. Fire rated devices require 4916 Fire Rated Strike and Hook.
 - See template T-ED00327 for additional details

