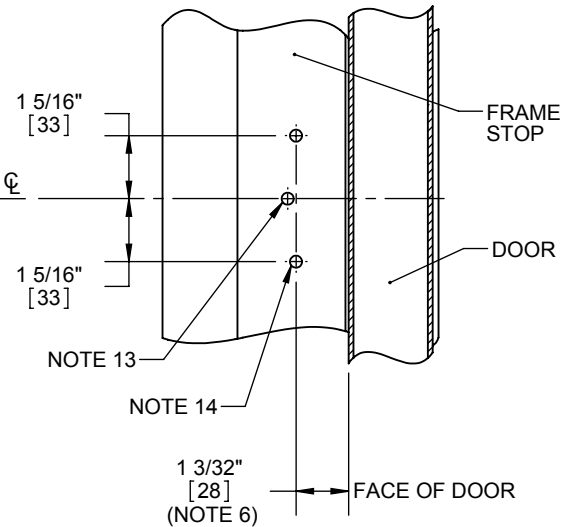
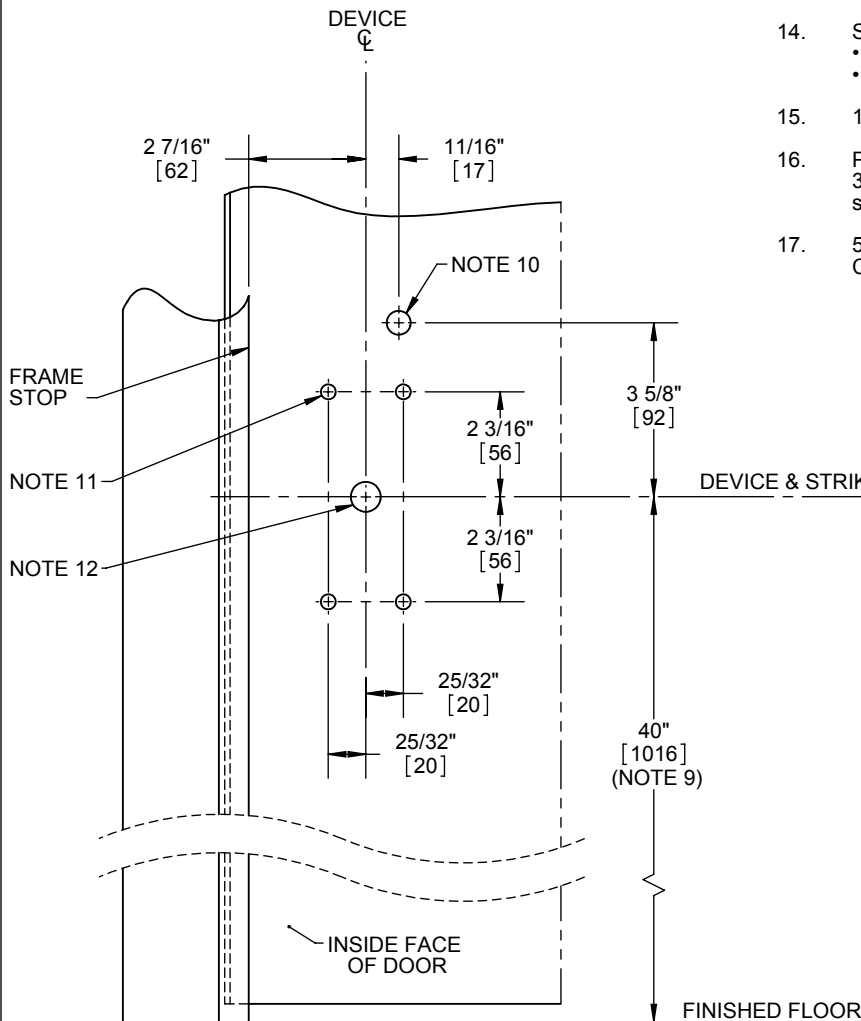
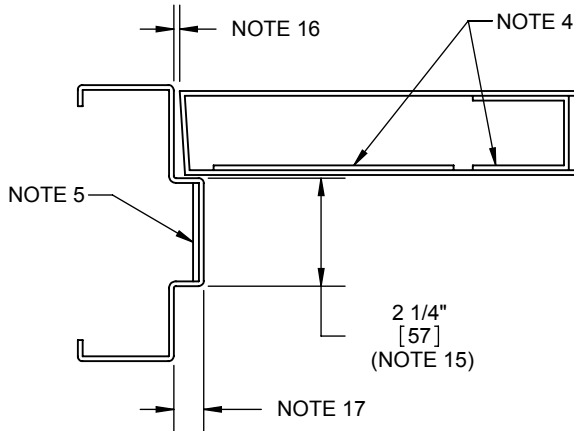


4500 RIM DEVICE DOOR PREP TEMPLATE APPLICATION FOR METAL AND WOOD DOORS (FOR PANIC AND FIRE RATED DEVICES)

NOTES:

- LHR door shown. Preparation is typical for both door hands.
- Minimum Stile width:
 - 4 7/8" for double doors.
 - 5 3/8" for single doors with standard 5/8" stop.
 - 5 3/4" for double doors with 2" mullion.
- Prepare mounting holes when installing the device.
- Provide door stiffeners as needed to prevent door collapse due to installation with power tools, door use, or abuse.
- Provide frame stiffeners as needed for rim strike. Unreinforced frames require blind rivet nuts (by others) to mount the strike.
- Dimension from door face.
- Device mount (end cap bracket) to hinge stile (not shown) requires hole location and preparation during device installation.
- For outside trim preparation see appropriate trim template.
- Recommended height may be determined by design spec's.
- A $\varnothing 1/2"$ hole is required if using the electric trim (45ET).
- Device mounting holes (4 places)
 - Metal door: 1/4"-20 Tap (std.).
 - Wood door (solid core): Pre-drill $\varnothing 1/8"$ holes.
 - SNB: $\varnothing 5/16"$ inside door face, $\varnothing 3/8"$ outside door face.
 - Trim: $\varnothing 5/16"$ inside door face, $\varnothing 1/2"$ outside door face.
 - Check building and fire codes to see if your application requires the use of SNB (sleeve nuts and bolts).
- Trim Tailpiece hole:
 - For BE and CE trim: $\varnothing 5/8"$ (thru hole)
 - Dummy trim: not required
 - Night Latch trim: See template T-ED00344 for details.
- This hole MUST be field located using physical part as template, after installation is complete and device is fully operational.
- Strike mounting holes (2 places)
 - Metal door: 1/4"-20 Tap (std.).
 - Wood door: Pre-drill $\varnothing 1/8"$ holes.
- 1-7/8" Minimum recommended (2-1/4" standard frame).
- Per ANSI/SDI A250.8, single door is 1/8", pairs of doors 3/16" \pm 1/16", and fire rated pair 1/8" \pm 1/16". Consult design spec's before preparing doors.
- 5/8" typical for hollow metal frames, 1/2" typical for wood frames. Consult design spec's before preparing doors.



STRIKE PREPARATION DETAIL

