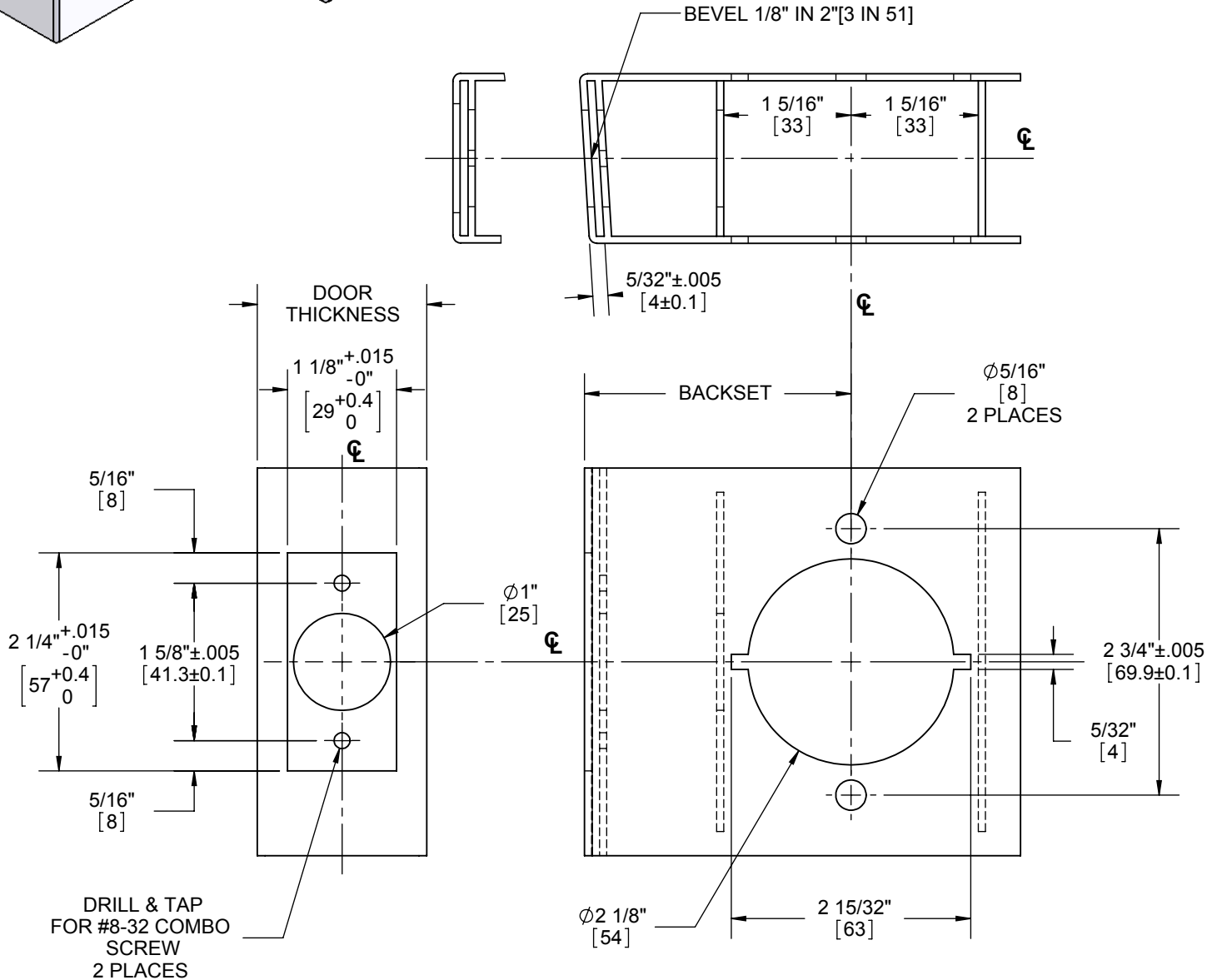
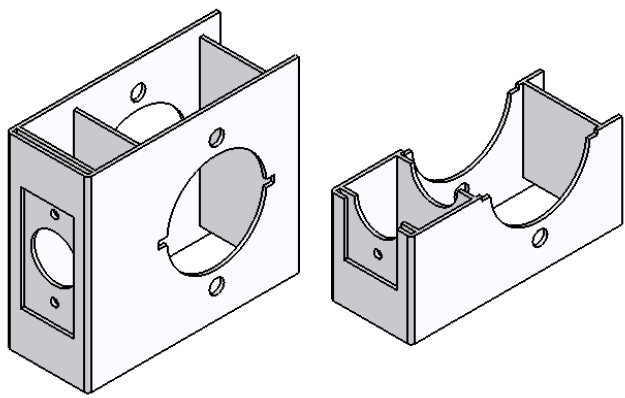


REVISIONS		
REV.	DESCRIPTION	DATE
01	UPDATE NOTES	12/19/2007
02	ADD CENTERLINES	12/19/2007
03	CHANGED TO LEVER ONLY	5/8/2008



DOOR TYPE: METAL, FLAT OR BEVELED

DOOR THICKNESS: 1 3/8"[35] - 2"[51]

FACEPLATE: SQUARE 1 1/8"[29] WIDTH

BACKSETS: 2 3/4"[70] STANDARD, 2 3/8"[60] OPTIONAL, 5"[127] OPTIONAL

DIMENSIONS IN [] ARE IN MILLIMETERS



HAGER RESERVES THE RIGHT TO MAKE DESIGN CHANGES WITHOUT NOTICE. CALL HAGER ENGINEERING AT 1-800-325-9995 FOR THE LATEST REVISION DATE OF TEMPLATE.

PRIMARY DIMENSIONS SHOWN IN INCHES, DIMENSIONS IN [] ARE MILLIMETERS.

MATERIAL	Material <not specified>
FINISH	-
DO NOT SCALE DRAWING	

DRAWN	MRJ	12/14/2007
ENG. APPR.	-	-
TOLERANCES:		
FRACTIONAL: ±0.015"		
ANGULAR: MACH: ± 1° BEND: ±1°		
TWO PLACE DECIMAL: ±0.01"		
THREE PLACE DECIMAL: ±0.004"		

3400		REV.
METAL DOOR PREP TEMPLATE (LEVER STYLE)		03
SIZE	DWG. NO.	
A	T-LS00183	
SCALE: 1:2	WEIGHT: 0.13	SHEET 1 OF 1