

6000 SERIES

Commercial Exit Devices Parts Manual



TABLE OF CONTENTS

Introduction

Installation Notes	3
How to Order Parts	3
Finish Chart	3

Exit Devices

6100/6100F/6200 Rim.....	4
6150/6150F/6250 Squarebolt®	5
6210 Surface Vertical Rod.....	6
6170/6170F Surface Vertical Rod	8
6170/6170F LBR Surface Vertical Rod (Less Bottom Rod).....	10
6220 Concealed Vertical Rod.....	12
6160/6160F Concealed Vertical Rod	14
6160/6160F LBR Concealed Vertical Rod (Less Bottom Rod)	16
6130/6130F Mortise.....	18
620DB Rigid Bar.....	20
6000 Bar Assembly.....	22

Strikes	24
----------------------	----

Accessories	25-26
--------------------------	-------

Handing Instructions	27
-----------------------------------	----

Vertical Rod Adjustment and Maintenance	28-29
--	-------

Troubleshooting	30
------------------------------	----

INTRODUCTION

Installation Notes

1. Any retrofit or other field modification to a fire rated opening can potentially impact the fire rating of the opening, and ASSA ABLOY ACCENTRA™ makes no representations or warranties concerning what such impact may be in any specific situation. When retrofitting any portion of an existing fire rated opening, or specifying and installing a new fire rated opening, please consult with a code specialist or local code official (Authority Having Jurisdiction) to ensure compliance with all applicable codes and ratings.
2. Refer to the templates and installation instructions for complete door preparation and installation requirements.
3. Machine screws are provided for steel reinforced doors, threaded-to-the-head AB Type screws are provided for wood door applications. In addition, sex nuts and bolts are provided for fire rated devices and are optional for non-rated devices. It is recommended that sex nuts and bolts be used for all exit device applications. This will improve the performance and extend the life of the product.

How To Order Parts

To order parts, provide the appropriate quantity, part number, finish, hand (when required) and description as directed and illustrated below.

For example, use the following configuration to order:

A) ten latch covers in satin stainless steel

B) one surface vertical rod latch cover in black suede powder coat

	Quantity	Part Number	Finish	Hand	Description
A	10	60-6000-X034-FIN	630	—	Latch Cover
B	1	60-7010-X040-FIN	BSP	—	Top Latch Cover

For assistance, contact your authorized ASSA ABLOY ACCENTRA™ distributor, sales agency or visit our website at www.accentra-assaabloy.com.

Finishes

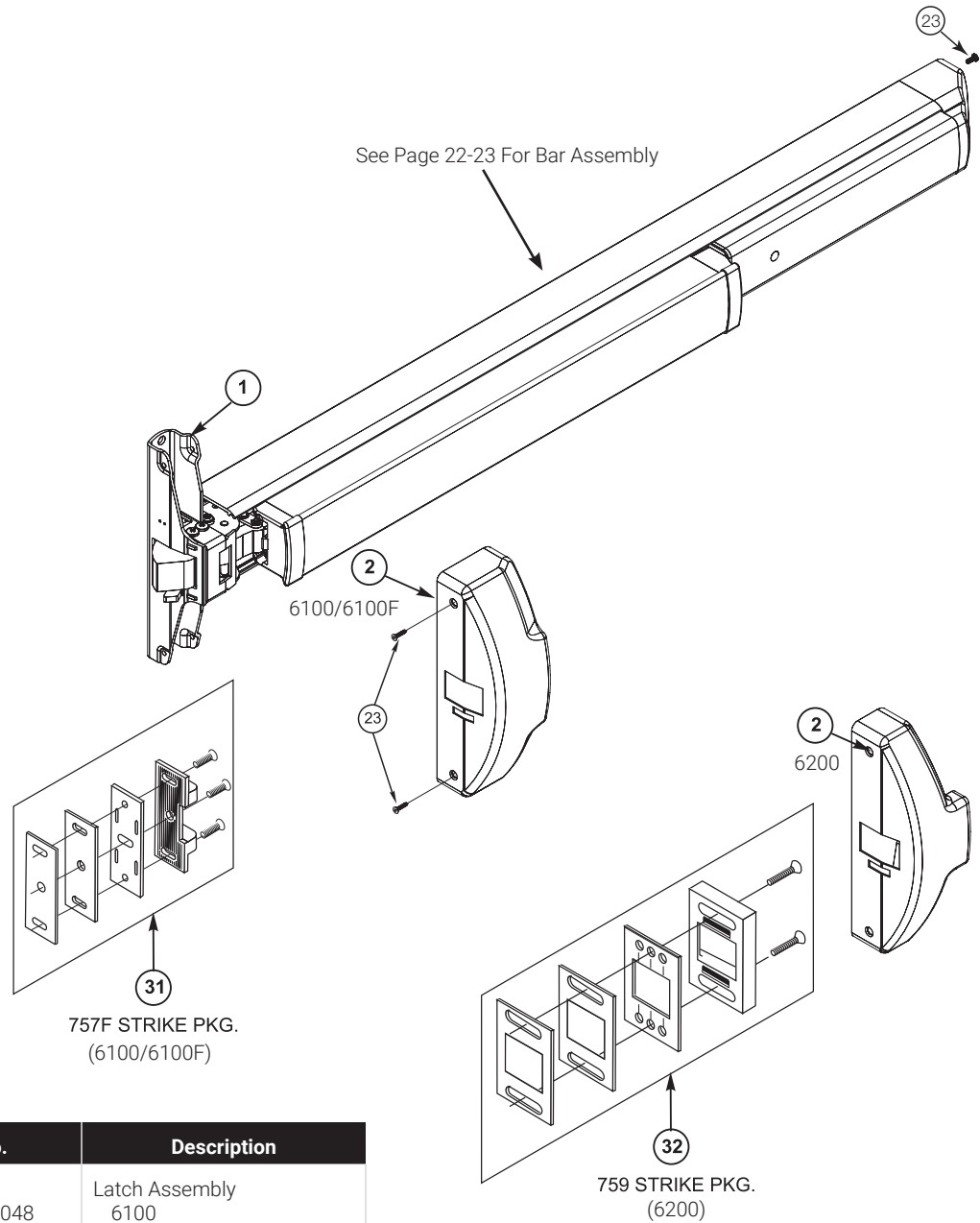
ANSI/BHMA Code	Finish Description
613E	Dark Oxidized Satin Bronze - equivalent
629	Bright Stainless Steel
630*	Satin Stainless Steel
BSP	Black Suede Powder Coat
WSP	White Suede Powder Coat

* MicroShield®

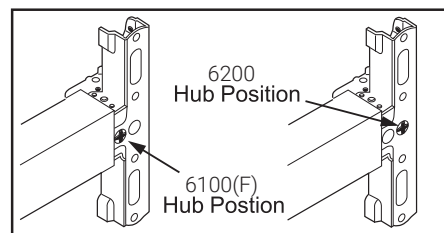
Finish available with MicroShield® antimicrobial coating, additional finishes by special application. Consult factory for availability.



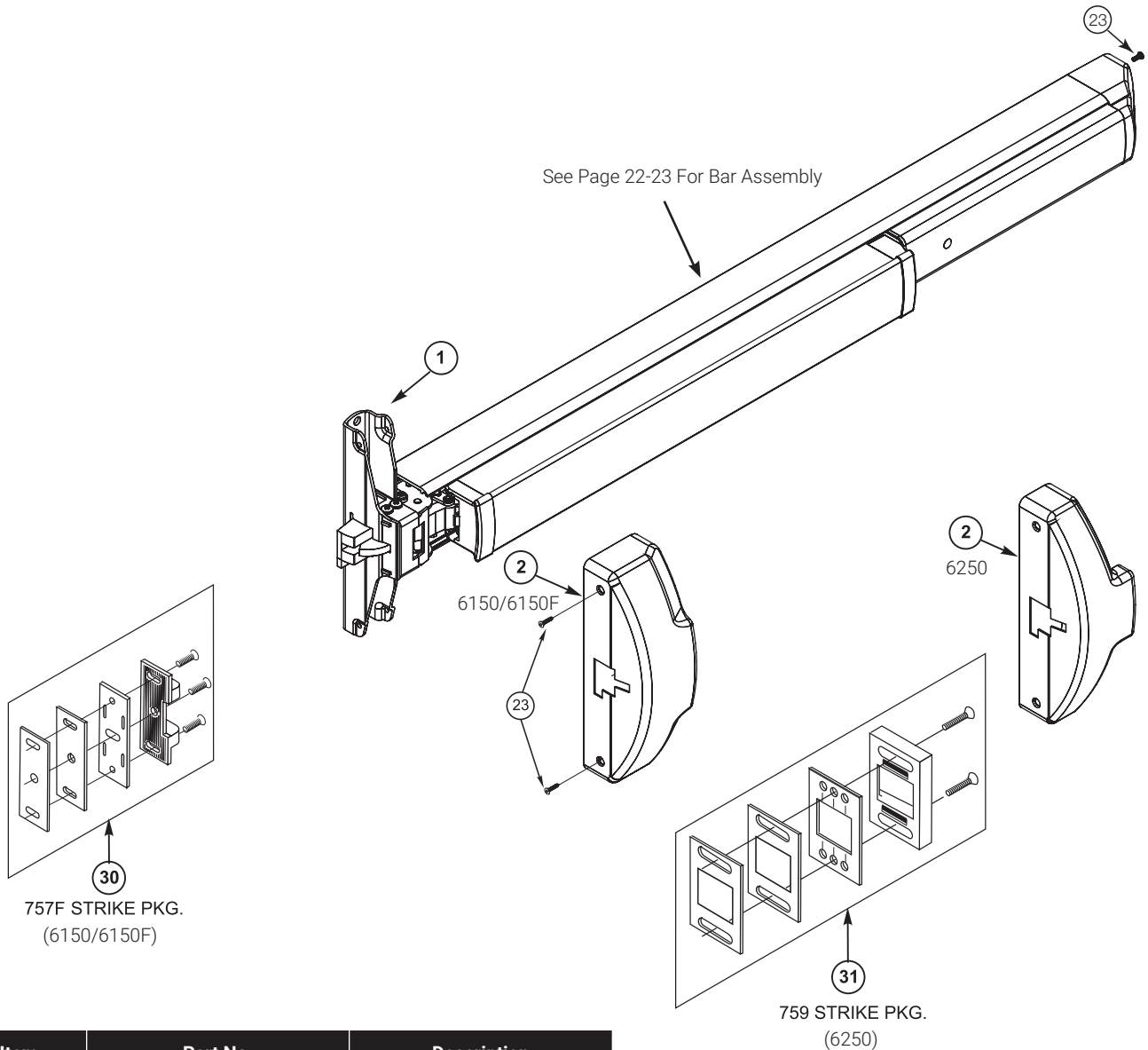
6100/6100F/6200 RIM




Item	Part No.	Description
1	60-6000-0419-048 60-6000-0425-048 60-6200-0354-048	Latch Assembly 6100 6100F 6200
2	60-6000-7024-FIN Not Available 60-6000-7023-FIN	Cover 6100 6100F 6200
23	81-9500-1545-FIN	Screw Packet, Cover #8-32 x 5/16" FHPMS (2) #10-24 x 1/2" PPHMS (1)
31	81-9800-0001-999	757F Strike Packet 6100(F)
32	81-9500-1357-200	759 Strike Packet 6200

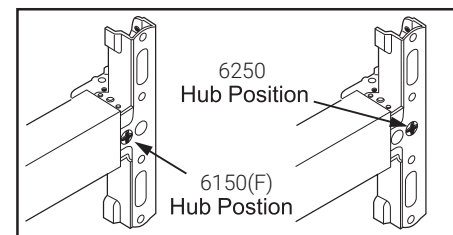


6150/6150F/6250 SQUAREBOLT®



Item	Part No.	Description
1	60-6150-0005-048 60-6250-0001-048	Latch Assembly 6150, 6150F 6250
2	60-6000-7034-FIN Not Available 60-6000-7033-FIN	Cover 6150 6150F  6250
23	81-9500-1545-FIN	Screw Packet, Cover #8-32 x 5/16" FHPMS (2) #10-24 x 1/2" PPHMS (1)
30	81-9500-1683-200	757F Strike Packet 6150(F)
31	81-9500-1357-200	759 Strike Packet 6250

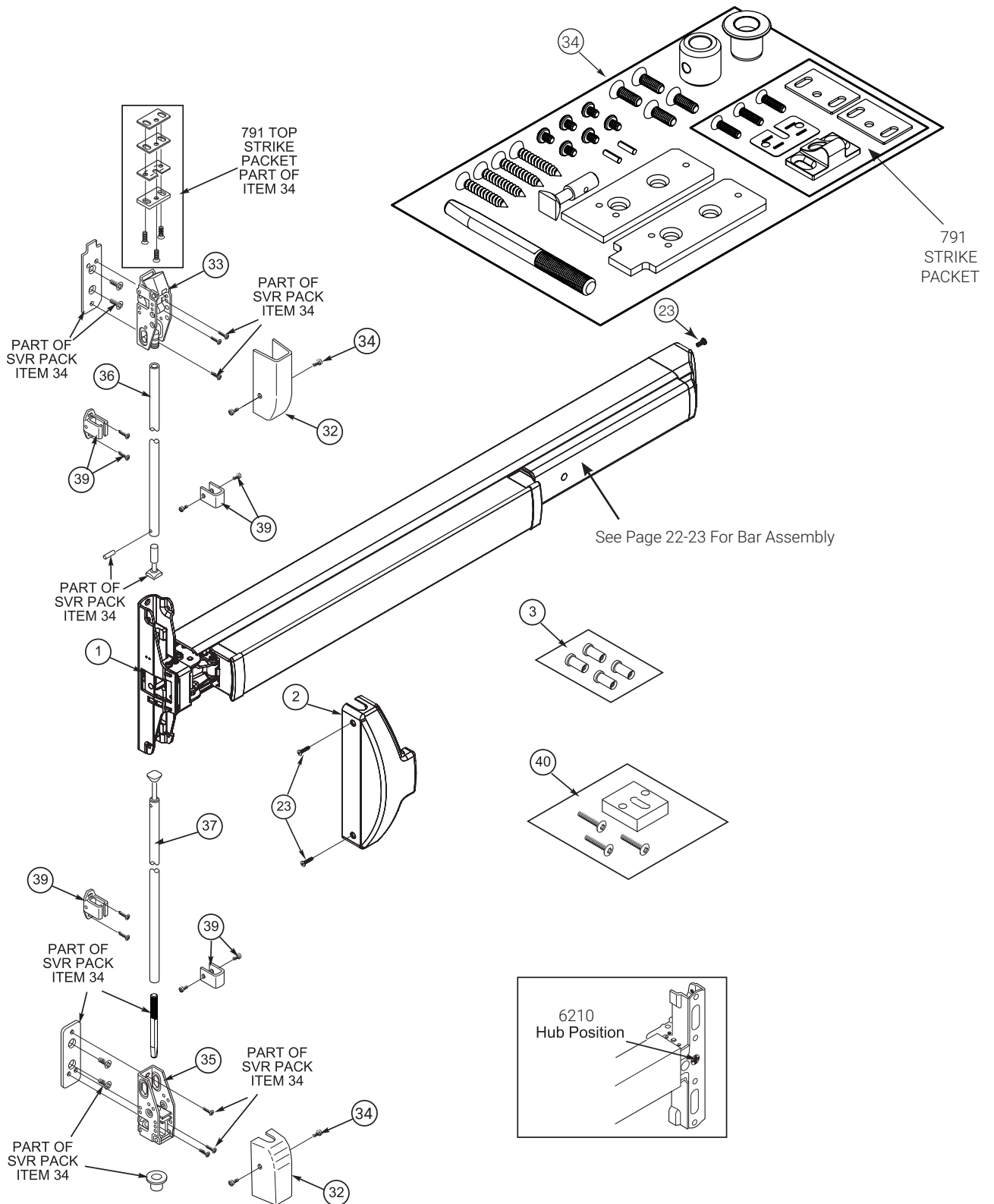
Difference in Latch Assemblies



6210 SURFACE VERTICAL ROD

Item	Part No.	Description
1	60-6210-0354-048 LH 60-6210-0364-048 RH	Latch Assembly 6210 (Must Specify Hand)
2	60-6000-7013-FIN	Cover 6210
3	03-0080-5047-FIN	Sex Nut Pack (4)
23	81-9500-1545-FIN	Screw Packet, Cover #8-32 x 5/16" FHPMS (2) #10-24 x 1/2" PPHMS (1)
32	60-7010-7040-FIN	Cover, Top & Bottom Latches (2)
33	60-7010-0049-999	Top Latch 6210
34	81-9500-1512-000 60-7010-1038-048 60-7010-1039-048 60-7010-1067-048 99-9999-4308-999 60-7000-1150-999 60-7020-1073-029 60-7020-0050-000 81-9500-1546-000 81-9500-1454-200	SVR Pack Consists of the following: Top Mtg. Plate Bottom Mtg. Plate Top Rod Connector Rod Connecting Pin (2) Drill Jig Floor Bolt Bottom Strike Latch Mounting Screw Packet 791 Top Strike Packet
35	60-7010-0054-000	Bottom Bolt Case 6210
36	60-7010-7052-FIN	Top Rod
37	60-7010-0020-FIN	Bottom Rod Assembly
39	81-9500-1514-FIN 60-7010-9050-999 60-7010-7051-FIN 81-3110-0412-058 81-3115-0308-FIN 81-0011-0404-FIN	Rod Guide Packet Consists of the following: Guide, Rod (1) Cover, Rod Guide (1) Screw, #8 X 1/2" PRHMS (2) Screw, Rod Guide Cover Screw, #8-32 x 1/4" PFHUMS (2)
40	81-9500-1464-200	Blade Stop Block Packet

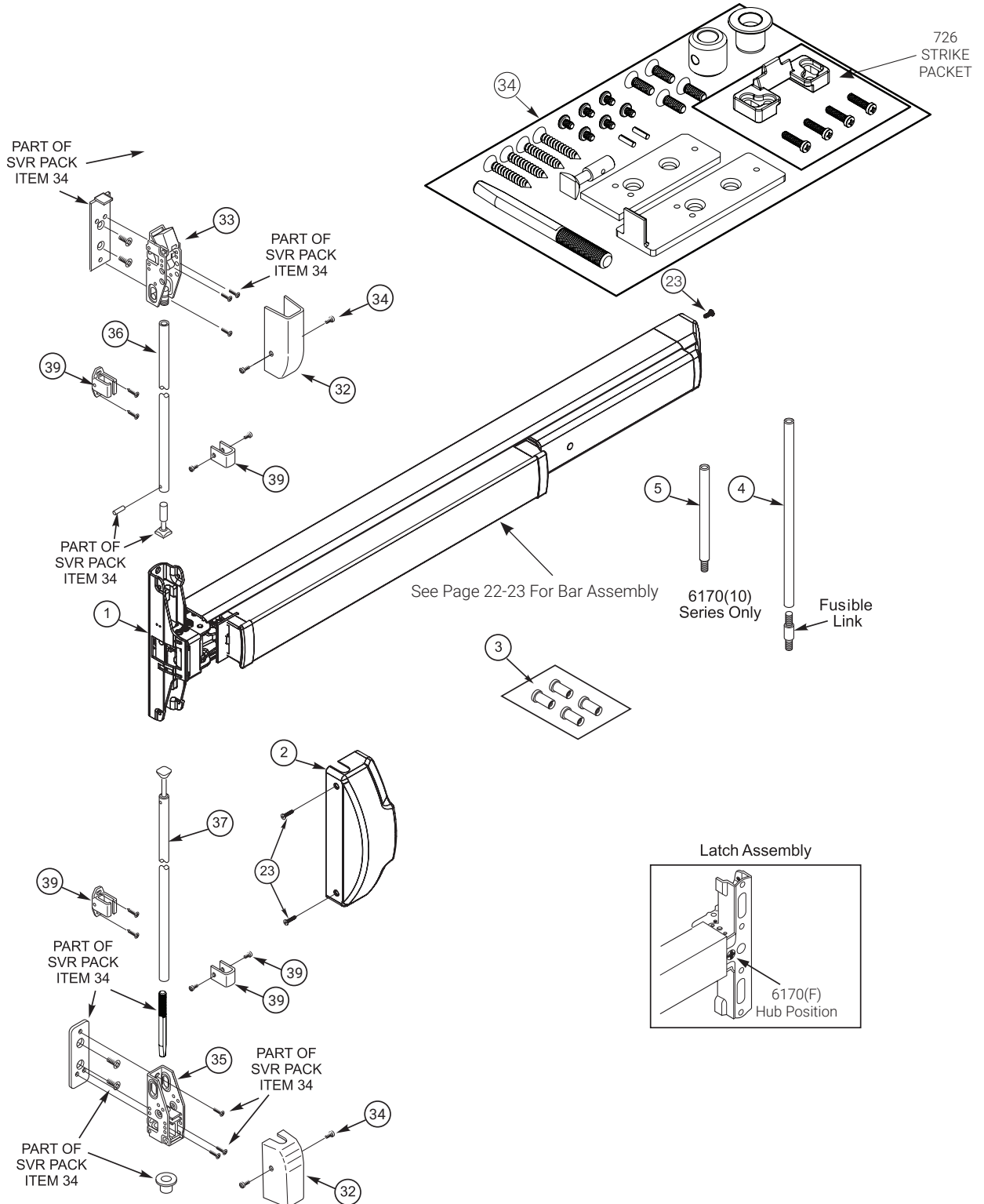
6210 SURFACE VERTICAL ROD




6170/6170F SURFACE VERTICAL ROD

Item	Part No.	Description
1	60-6010-0360-048 LH 60-6010-0365-048 RH	Latch Assembly 6170, 6170F (Must Specify Hand)
2	60-6000-7014-FIN Not Available	Cover 6170 6170F (UL)
3	03-0080-5047-FIN	Sex Nut Pack (4) (Fire Rated Only)
4	60-1510-0281-FIN	Rod Extension Assy., 24" (-10 Device Only)
5	60-1510-0278-FIN	Rod Extension Assy., 12" (-10 Device Only)
23	81-9500-1545-FIN	Screw Packet, Cover #8-32 x 5/16" FHPMS (2) #10-24 x 1/2" PPHMS (1)
32	60-7010-7040-FIN	Cover, Top & Bottom Latches (2)
33	60-7010-0049-999 60-7010-0050-999	Top Latch 6170 6170F
34	81-9500-1610-000 60-7110-1005-048 60-7010-1039-048 60-7010-1067-048 99-9999-4308-999 60-7000-1150-999 60-7020-1073-029 60-7020-0050-000 81-9500-1613-000 81-9500-1576-000	SVR Pack Consists of the following: Top Mtg. Plate Bottom Mtg. Plate Top Rod Connector Rod Connecting Pin (2) Drill Jig Floor Bolt Bottom Strike Latch Mounting Screw Pack 726 Top Strike Packet
35	60-7010-0054-000 60-7010-0053-000	Bottom Bolt Case 6170 6170F
36	60-7010-7052-FIN	Top Rod
37	60-7010-0020-FIN	Bottom Rod Assembly
39	81-9500-1514-FIN 60-7010-9050-999 60-7010-7051-FIN 81-3110-0412-058 81-3115-0308-FIN 81-0011-0404-FIN	Rod Guide Packet Consists of the following: Guide, Rod (1) Cover, Rod Guide (1) Screw, #8 X 1/2" PRHMS (2) Screw, Rod Guide Cover Screw, #8-32 x 1/4" PFHUMS (2)

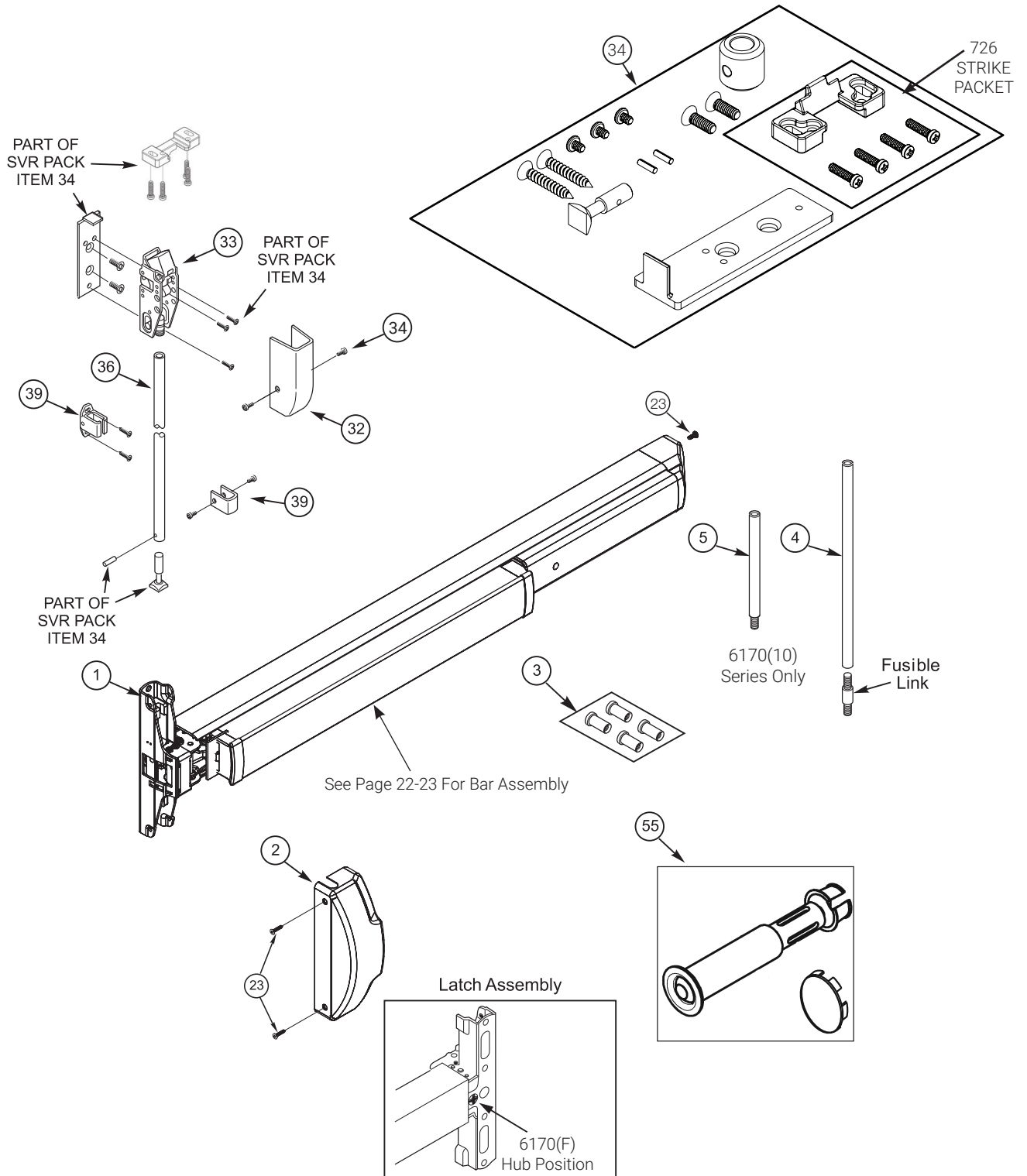
6170/6170F SURFACE VERTICAL ROD



6170/6170F LBR SURFACE VERTICAL ROD (LESS BOTTOM ROD)

Item	Part No.	Description
1	60-6010-0360-048 LH 60-6010-0365-048 RH	Latch Assembly 6170, 6170F (Must Specify Hand)
2	60-6000-7014-FIN Not Available	Cover 6170 6170F 
3	03-0080-5047-FIN	Sex Nut Pack (4) (Fire Rated Only)
4	60-1510-0281-FIN	Rod Extension Assy., 24" (-9 & -10 Devices)
5	60-1510-0278-FIN	Rod Extension Assy., 12" (-8 & -10 Devices)
23	81-9500-1545-FIN	Screw Packet, Cover #8-32 x 5/16" FHPMS (2) #10-24 x 1/2" PPHMS (1)
32	60-7010-7040-FIN	Cover, Top & Latch
33	60-7010-0050-999	Top Latch, 6170(F)
34	81-9500-1562-000 60-7110-1005-048 60-7010-1067-048 99-9999-4308-999 60-7000-1150-999 81-9500-1613-000 81-9500-1576-000	SVR Pack Consists of the following: Top Mtg. Plate Top Rod Connector Rod Connecting Pin (2) Drill Jig Latch Mounting Screw Pack 726 Top Strike Packet
36	60-7010-7052-FIN	Top Rod
39	81-9500-1514-FIN 60-7010-9050-999 60-7010-7051-FIN 81-3110-0412-058 81-3115-0308-FIN 81-0011-0404-FIN	Rod Guide Packet Consists of the following: Guide, Rod (1) Cover, Rod Guide (1) Screw, #8 X 1/2" PRHMS (2) Screw, Rod Guide Cover Screw, #8-32 x 1/4" PFHUMS (2)
55	60-7110-0002-999	Popper Packet (6170F Only)

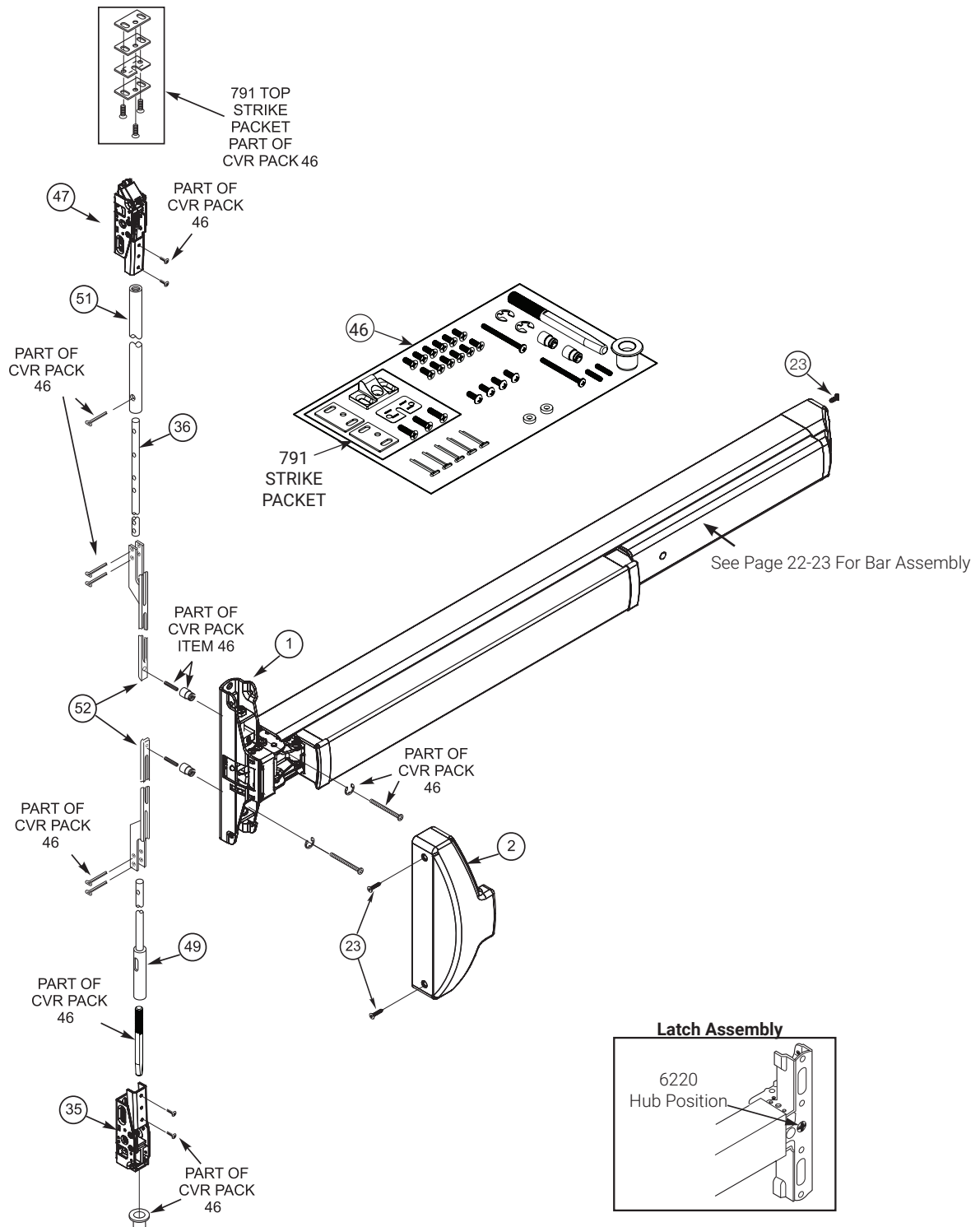
**6170/6170F LBR SURFACE VERTICAL ROD
 (LESS BOTTOM ROD)**



6220 CONCEALED VERTICAL ROD

Item	Part No.	Description
1	60-6220-0364-048 LH 60-6220-0354-048 RH	Latch Case Assembly 6220 (Must Specify Hand)
2	60-6000-7003-FIN	Cover
23	81-9500-1545-FIN	Screw Packet, Cover #8-32 x 5/16" FHPMS (2) #10-24 x 1/2" PPHMS (1)
35	60-7220-0065-048	Bottom Bolt Case
36	60-7220-1019-059	Top Rod
46	81-9500-1456-000 60-7020-1073-029 60-7020-0050-000 81-9500-1454-200 60-7120-1047-048 60-7140-1026-059 60-7020-1064-059 99-9958-0045-999 99-9999-4526-999 81-0014-0430-036 81-9500-1548-058	CVR Pack Consists of the following: Floor Bolt Bottom Strike 791 Top Strike Packet Pin, Rod Yoke (2) Set Screw, Yoke Pin (2) Yoke Pin Shim (2) Cotter Pin (5) Ring, Retaining (2) 2" Temp Screw (2) Screw Pack
47	60-7220-0066-048	Top Latch & Bracket Assembly
49	60-7020-0056-048	Bottom Rod & Coupler Assembly
51	60-7220-7025-000	Top Rod Tube
52	60-7220-0030-999	Arm & Bracket Assy (2)

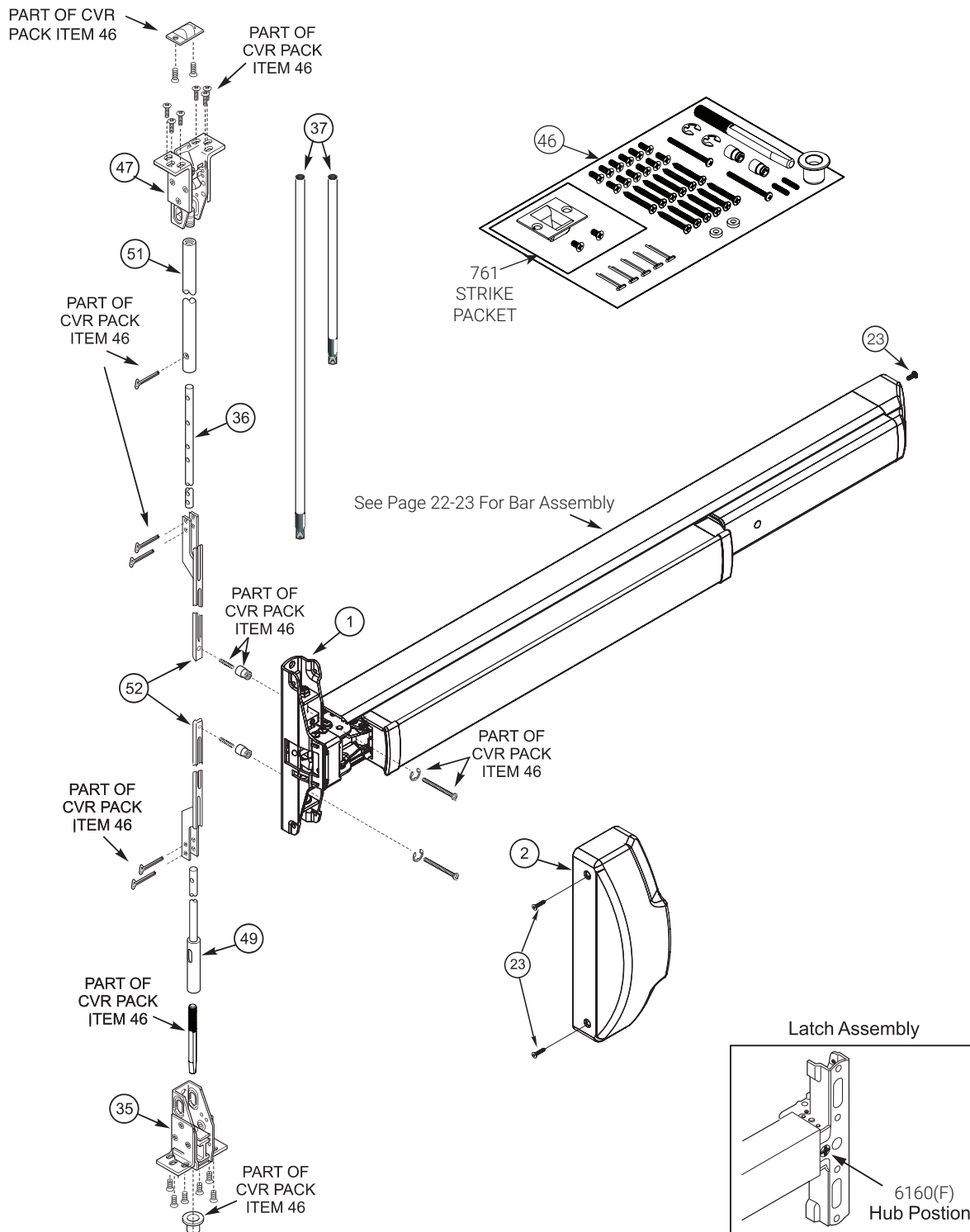
6220 CONCEALED VERTICAL ROD




6160/6160F CONCEALED VERTICAL ROD

Item	Part No.	Description
1	60-6020-0360-048 LH 60-6020-0365-048 RH	Latch Case Assembly 6160, 6160F (Must Specify Hand)
2	60-6000-7003-FIN Not Available	Cover 6160 6160F (UL)
23	81-9500-1545-FIN	Screw Packet, Cover #8-32 x 5/16" FHPMS (2) #10-24 x 1/2" PPHMS (1)
35	60-7020-0058-048 60-7020-0055-048	Bottom Bolt Case 6160 6160F
36	60-7220-1019-059	Top Rod
37	60-1510-0282-000 60-1510-0281-000	Rod Extension Assembly 12" Rod Assembly 24" Rod Assembly
46	81-9500-1581-000 60-7020-1073-029 60-7020-0050-000 81-9500-1696-000 60-7120-1047-048 60-7140-1026-059 60-7020-1064-059 99-9958-0045-999 99-9999-4526-999 81-9500-1580-058 81-0014-0430-036	CVR Pack Consists of the following: Floor Bolt Bottom Strike 761 Top Strike Packet Pin, Rod Yoke (2) Set Screw, Yoke Pin (2) Yoke Pin Shim (2) Cotter Pin (5) Ring, Retaining (2) Screw Pack 2" Temp Screw (2)
47	60-7160-0060-000	Top Latch & Bracket Assembly, 6160(F)
49	60-7020-0056-048	Bottom Rod & Coupler Assembly
51	60-7220-7025-000	Top Rod Tube
52	60-7220-0030-999	Arm & Bracket Assy. (2)

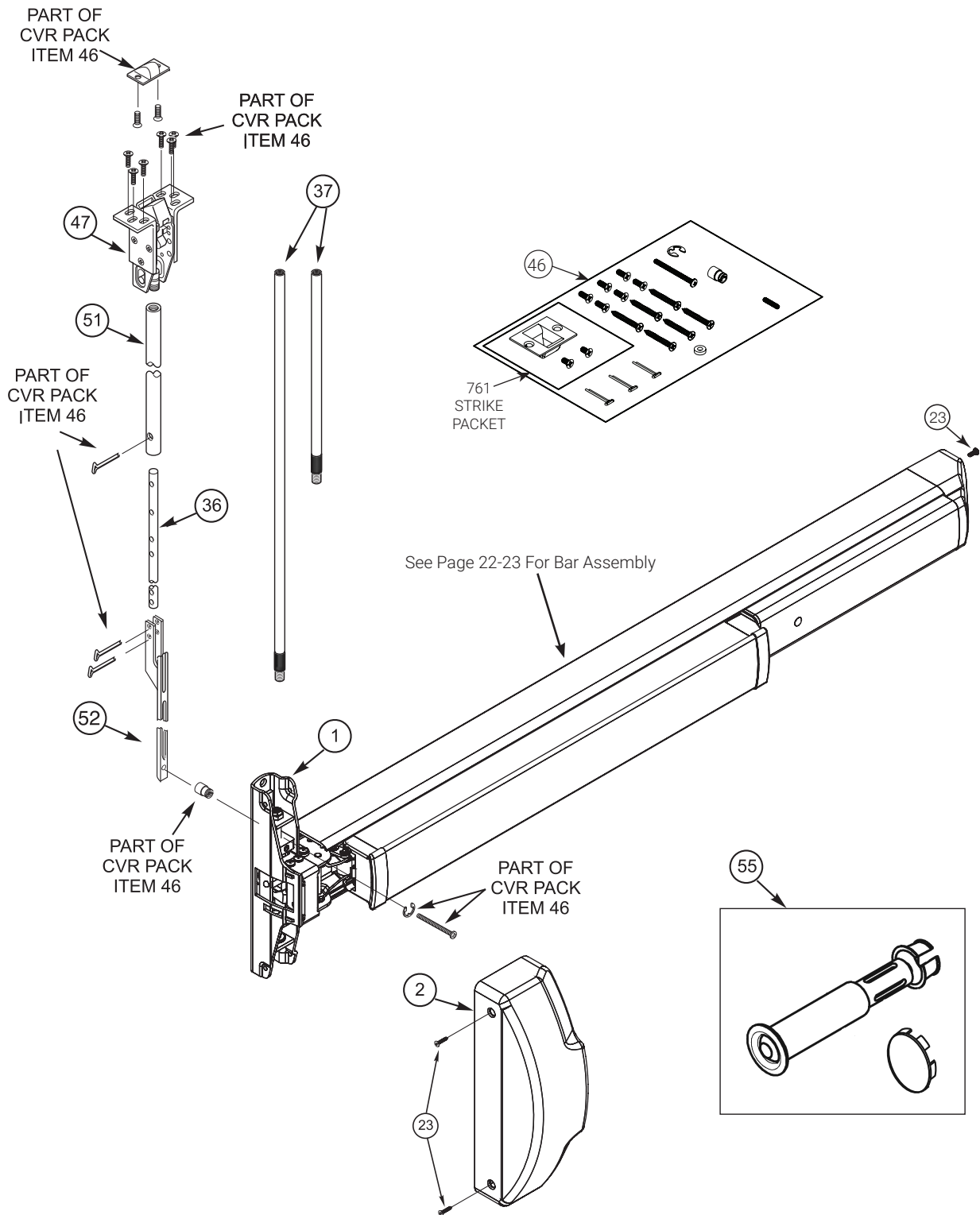
6160/6160F CONCEALED VERTICAL ROD




6160/6160F LBR CONCEALED VERTICAL ROD (LESS BOTTOM ROD)

Item	Part No.	Description
1	60-6020-0360-048 LH 60-6020-0365-048 RH	Latch Case Assembly 6160, 6160F (Must Specify Hand)
2	60-6000-7003-FIN Not Available	Cover 6160 6160F 
23	81-9500-1545-FIN	Screw Packet, Cover #8-32 x 5/16" FHPMS (2) #10-24 x 1/2" PPHMS (1)
36	60-7220-1019-059	Top Rod
37	60-1510-0282-000 60-1510-0281-000	Rod Extension Assembly 12" Rod Assembly 24" Rod Assembly
46	81-9500-1605-000 81-9500-1696-000 60-7120-1047-048 60-7140-1026-059 60-7020-1064-059 99-9958-0045-999 99-9999-4526-999 91-9500-1606-058 81-0014-0430-036	CVR Pack Consists of the following: 761 Top Strike Packet Pin, Rod Yoke (1) Set Screw, Yoke Pin (1) Yoke Pin Shim (1) Cotter Pin (3) Ring, Retaining (1) Screw Pack (1) 2" Temp Screw (1)
47	60-7160-0060-000	Top Latch & Bracket Assembly, 6160(F)
51	60-7220-7025-000	Top Rod Tube
52	60-7220-0030-000	Arm & Bracket Assembly (1)
55	60-7110-0002-999	Popper Pack (Fire Rated Only)

6160/6160F LBR CONCEALED VERTICAL ROD
(LESS BOTTOM ROD)

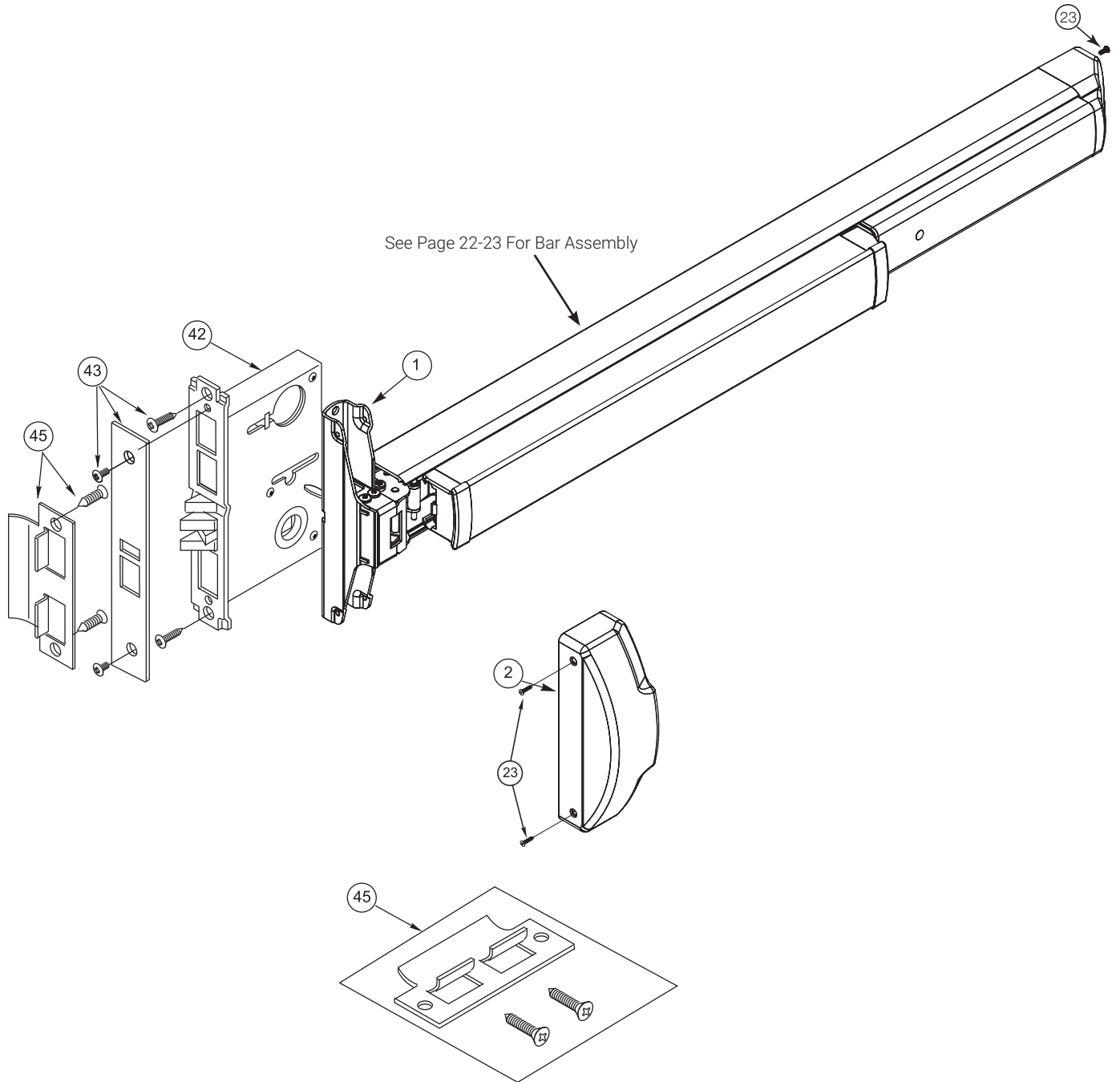


6130/6130F MORTISE

Item	Part No.	Description
1	60-6030-0382-048	Latch Assembly 6130, 6130F
2	60-6000-7003-FIN Not Available	Cover 6130 6130F 
23	81-9500-1545-FIN	Screw Packet, Cover #8-32 x 5/16" FHPMS (2) #10-24 x 1/2" PPHMS (1)
42	60-7030-0385-XXX 60-7030-0473-XXX 60-7030-0391-XXX 60-7030-0393-XXX	Mortise Lock Body, Specify Hand* 6130-T8(F) 6130-T5(F) 6130-L5(F) 6130-L8(F)
43	60-0000-1159-FIN 60-7030-7049-FIN 81-9400-0036-FIN	Armored Front and Mounting Pack Consists of the following: Armored Front Screw Pack
45	81-9500-0562-200	798 Strike Packet

*XXX = Specify RHR or LHR

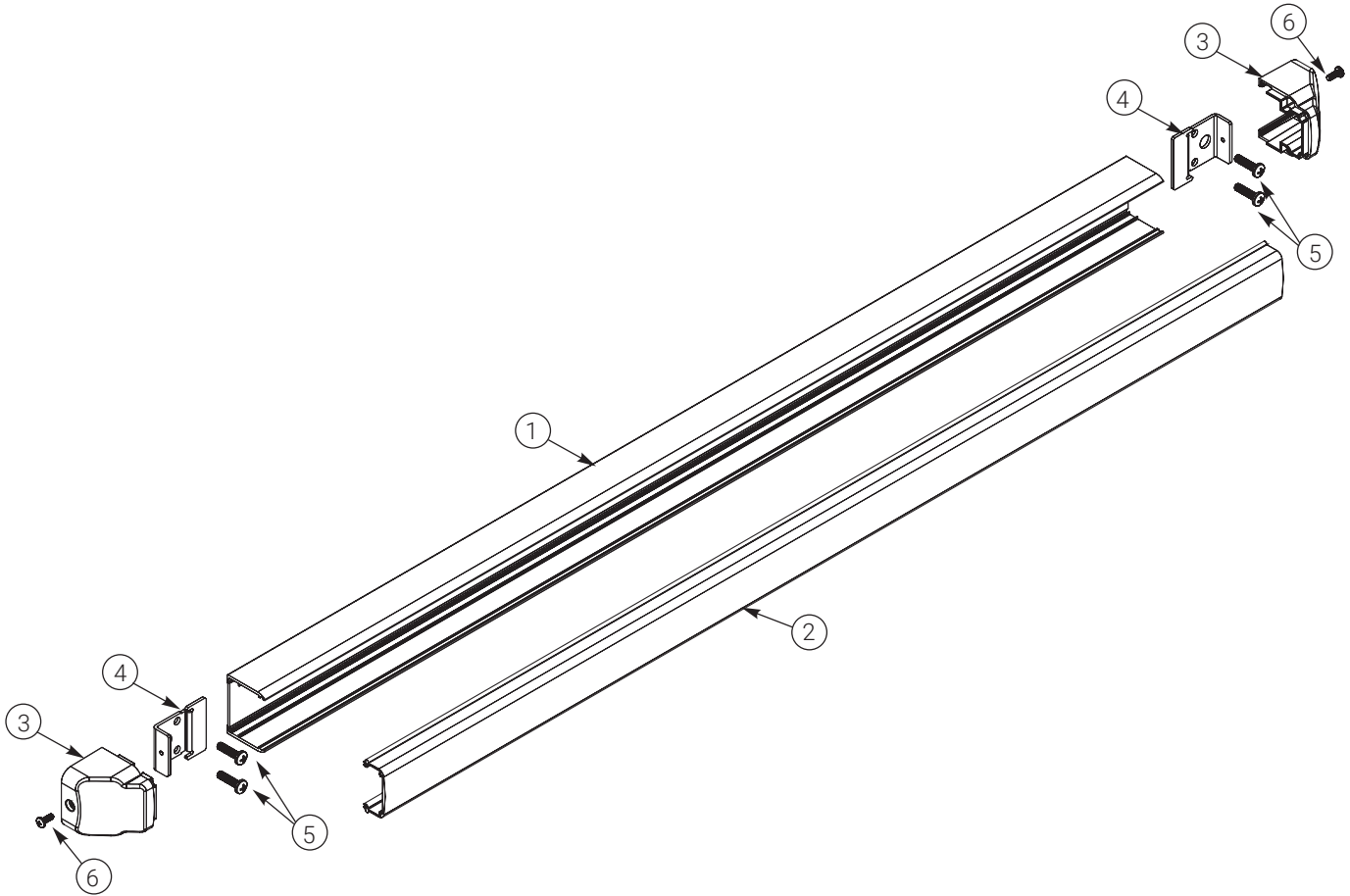
6130/6130F MORTISE



620DB DUMMY PUSHBAR

Item	Part No.	Description
1	60-6200-4006-FIN	Carrier, 48"
2	60-6200-4040-FIN	Cover
3	60-6000-6003-FIN	Device End Cap
4	60-6000-1009-048	Clamp (2)
5	60-7000-1349-048	Screw, 1/4-20 X 1 PPHMS (4)
6	81-0074-0512-FIN	Screw, #10-24 x 1/2 PPHMS (2)

620DB DUMMY PUSHBAR



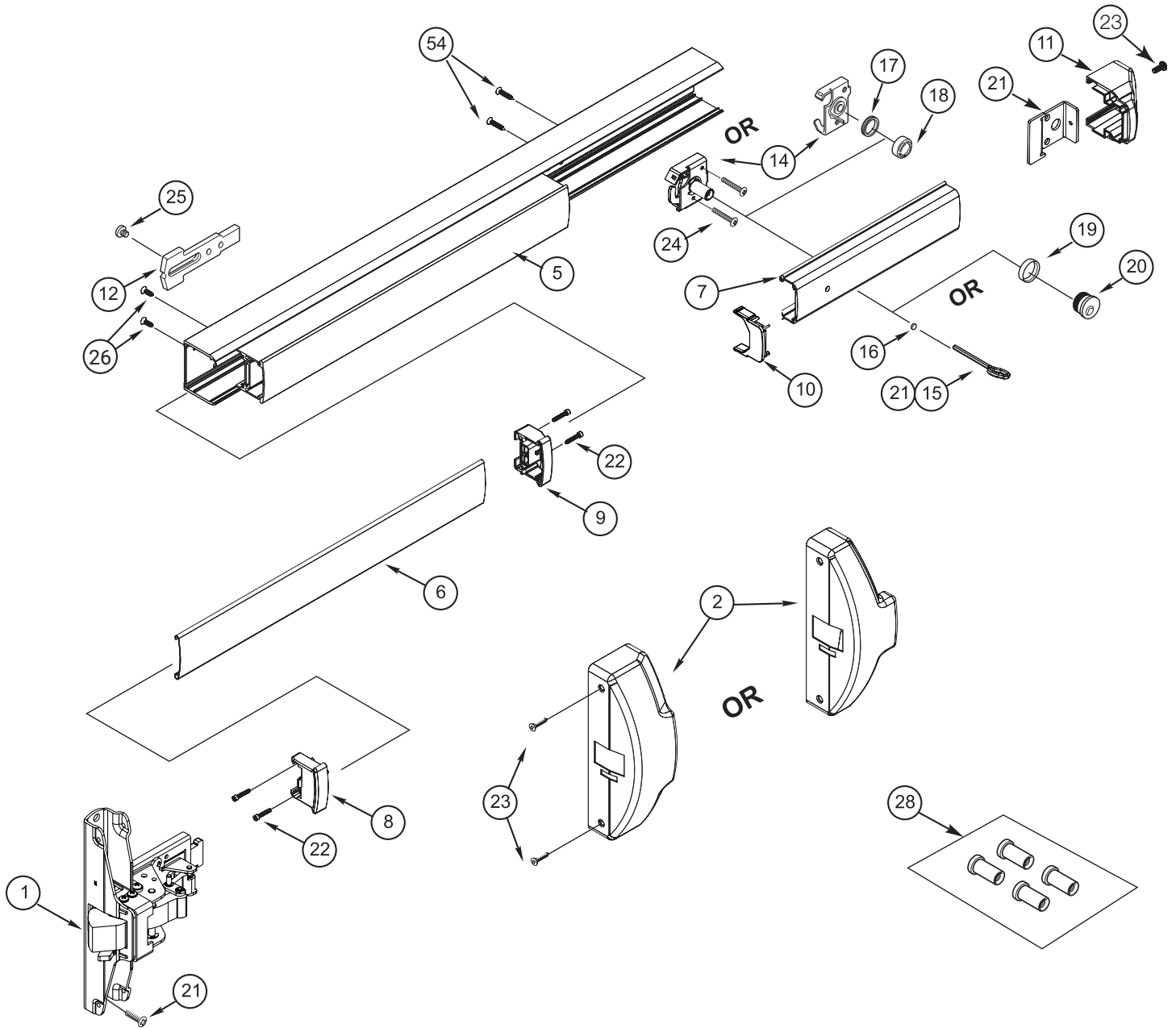
6000 BAR ASSEMBLY

Item	Part No.	Description
1	60-6000-0419-048	Latch Case Assembly (Reversible) Specify Hand 6100 6100F 6200 6150, 6150F 6250 6170(F) 6210 6160(F) 6220 6130(F) (Includes Trim Slide)
	60-6000-0425-048	
	60-6200-0354-048	
	60-6150-0005-048	
	60-6250-0001-048	
	60-6010-0360-048	
	60-6210-0354-048	
	60-6020-0360-048	
	60-6220-0354-048	
	60-6030-0382-048	
2	60-6000-7024-FIN	*Cover, Latch Assembly 6100 6200 6150 6250 6170 6210 6160, 6130 6220
	60-6000-7023-FIN	
	60-6000-7034-FIN	
	60-6000-7033-FIN	
	60-6000-7014-FIN	
	60-6000-7013-FIN	
	60-6000-7004-FIN	
	60-6000-7003-FIN	
5	60-6000-0024-FIN	Bar & Carrier Assembly 24" 36" 36" Narrow 42" 42" Narrow 48" 48" Narrow
	60-6000-0002-FIN	
	60-6200-0019-FIN	
	60-6000-0020-FIN	
	60-6200-0021-FIN	
	60-6000-0022-FIN	
	60-6200-0023-FIN	
6	60-6000-7007-FIN	Cover, Bar 24" 36" 42" 48"
	60-6000-7001-FIN	
	60-6000-7005-FIN	
	60-6000-7006-FIN	
7	60-6000-4015-FIN	Cover, End 24" std 6100 Series 24" Cylinder Dogging 6100 Series 36" std 6100 Series 36" Cylinder Dogging 6100 Series 42" std 6100 Series 42" Cylinder Dogging 6100 Series 48" std 6100 Series 48" Cylinder Dogging 6100 Series 36" std 6200 Series 36" Cylinder Dogging 6200 Series 42" std 6200 Series 42" Cylinder Dogging 6200 Series 48" std 6200 Series 48" Cylinder Dogging 6200 Series
	60-6000-4022-FIN	
	60-6000-4016-FIN	
	60-6000-4023-FIN	
	60-6000-4017-FIN	
	60-6000-4024-FIN	
	60-6000-4018-FIN	
	60-6000-4025-FIN	
	60-6200-4016-FIN	
	60-6200-4023-FIN	
	60-6200-4017-FIN	
	60-6200-4024-FIN	
	60-6200-4018-FIN	
	60-6200-4025-FIN	

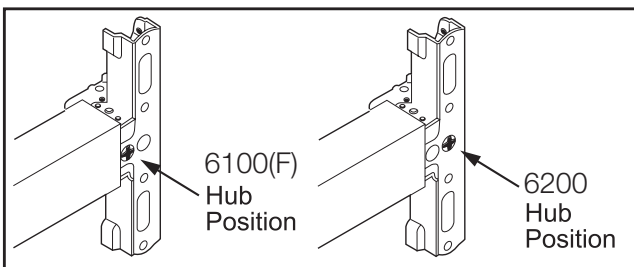
Item	Part No.	Description
8	60-6000-6002-200	Touch Pad Cap, Front
9	60-6000-6001-200	Touch Pad Cap, Rear
10	60-6000-9001-999	Bar Cap, Black Nylon
11	60-6000-6003-FIN	End Cap
12	60-6000-9008-999	Trim Slide (All except Mortise)
	60-6000-1059-048	Trim Slide (Mortise)
14	60-6000-0010-999	Dogging Assembly Standard Hex Key Dog. Cylinder, Dogging
	60-6000-0011-999	
15	60-7000-1131-036	Dogging Key (5/32" hex)
16	99-9999-4123-999	Dogging Hole Plug
17	60-7000-2421-000	Cylinder Nut
18	60-2000-9153-999	Cylinder Spacer Sleeve
19	None Required	Collar, Dogging Cylinder 1-1/8" Cylinder 1-1/4" Cylinder 1-3/8" Cylinder 1-1/2" Cylinder 1-11/16" Cylinder
	60-6765-X001-FIN	
	60-6765-X002-FIN	
	60-6765-X013-FIN	
	60-6765-X018-FIN	
20	As Ordered	Dogging Cylinder (Mortise)
21	81-9500-6000-999	End Clamp Packet Rim, CVR, SVR Rim, CVR, SVR (F) 6150 6150(F)
	81-9500-6001-999	
	81-9500-6002-999	
	81-9500-6003-999	
22	60-7000-1391-999	Screw, Touch Bar Caps, Torx Cap #6-32 x 3/4 (4)
23	81-9500-1545-FIN	Screw Packet, Cover #8-32 x 5/16" FHPMS (2) #10-24 x 1/2" PPHMS (1)
24	81-4212-0408-FIN	Screw, Dogging Assy., #8-x 7/8" PH FL Self Tap (2)
25	60-6000-1036-048	Trim Slide Retainer
26	81-3811-0412-FIN	Screw, Latch Head to Carrier, #8-18 x 1/2" PH FL Self Tap (2)
28	03-0080-5047-FIN	Sex Nut Packet (4) Fire-rated Devices incl.
54	99-9999-4941-FIN	Pop Rivet, 3/16"

*Covers which bare the UL Listing mark for Fire-Rating cannot be shipped with that marking. Therefore, covers for Fire-Rated Latch Case Assemblies are not available.

6000 BAR ASSEMBLY



Latch Assemblies



STRIKES

Rim Devices

<p>757F Standard 6100, 6100F, 6150, 6150F</p>	<p>793 Optional strike for double door applications without a mullion on 6100, 6150</p>	<p>759 Standard 6200, 6250</p>

Vertical Rod Devices

<p>791 Standard Top Strike 6210, 6220</p>	<p>726 Standard Top Strike 6170, 6170F</p>	<p>761 Standard Top Strike 6160, 6160F</p>	<p>797 Bracket for SVR Top Strike in Flush Transom Opening</p>
<p>790 Bottom Strike All Vertical Rod Devices</p>	<p>702 Floor Strike for Bottom Pullman Latch Option</p>	<p>794 Optional Floor Strike for fire openings using saddle threshold, or flush floor mount. Must use for fire openings with thresholds.</p>	

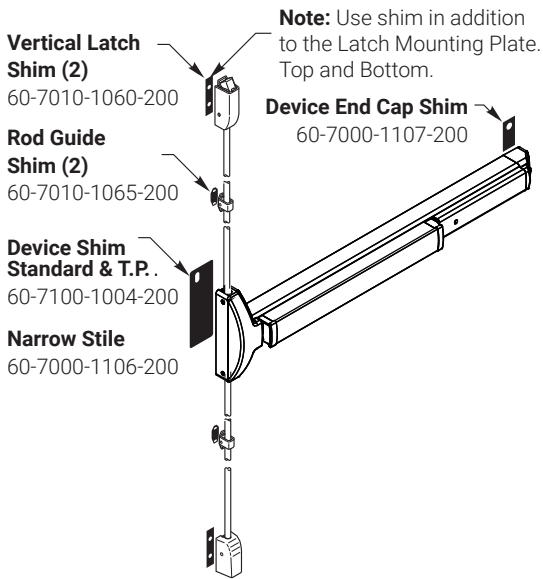
Mortise Devices

<p>798 Standard All Mortise (Non-Handed)</p>	<p>712 Optional flat lip ANSI strike used with 6130 devices for pairs of doors with astragals. (7/8\" lip)</p>	<p>718 Open Back Strike for Door Pair When Code Allows Use</p>	<p>202 Standard Box for ANSI Prep</p>

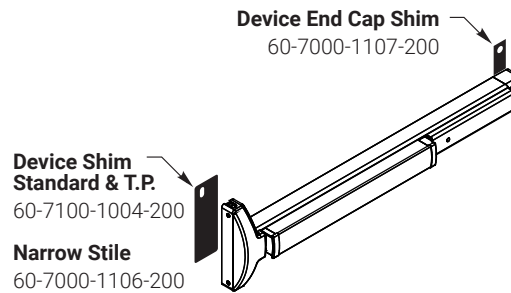
ACCESSORIES

Shim Kits

624SK, 624NS
For Surface Vertical Rod Exit Device



623SK, 623NS
For Rim, Mortise, and CVR Exit Device

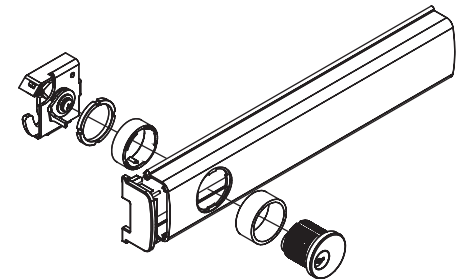


615 Cylinder Dogging Kits

Designed to convert a panic device from hex key dogging to cylinder dogging.

Not permitted on fire-rated devices.

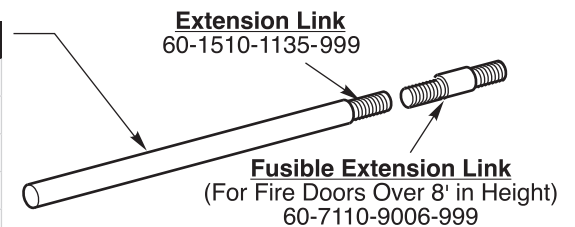
Bar Length	Part Number
24"	60-6000-0435-FIN
36"	60-6000-0426-FIN
36" NS	60-6200-0358-FIN
42"	60-6000-0434-FIN
42" NS	60-6200-0359-FIN
48"	60-6000-0427-FIN
48" NS	60-6200-0363-FIN



Surface and Concealed Vertical Rod Extension Kit

Used to extend the height of standard length rods for 6110(F)(8' max), 6120, 6160(F), 6170(F), and 6210 Series exit devices.

Rod Extension Assembly	
2"	60-1510-0277-FIN (Panic)
6"	60-1510-0280-FIN (Panic)
12"	60-1510-0278-FIN (Panic)
12"	60-1510-0282-FIN (Fire Rated)
24"	60-1510-0281-FIN (Fire Rated)



Optional Vertical Latches

Direction of Rod Travel



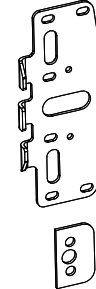
Bottom Pullman Latch
For Use with Latch Track Thresholds
60-7010-0051-999

ACCESSORIES

Anti-Pry Bracket

Model number: 625AP

Offers increased security by improving resistance against jamb spreading during a pry attack. When the door is in the closed position, the Anti-Pry Bracket interlocks in position between the exit device strike and frame preventing the strike and exit device latch from being separated.



Plastic Installation Template

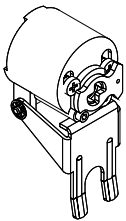
Provided as a standard with all 6000 Series exit device, the plastic installation template facilitates door markings over traditional paper templates. This provides a more accurate door prep which reduces installation mistakes and overall installation time. Template dimensions: 8-1/4" x 3-1/4" (210mm x 83mm). To order separately, specify part number: 60-7000-9100-999.



Retrofit Kits

Schlage® Cam and Housing Assembly

Part Number: 60-7000-0815



Von Duprin® Tailpiece

Part Number: 34-1145-1005-048

Specialty Fasteners

Sex Nuts:

Required for wood, composite or unreinforced metal doors.

- SN-104 – Interlock bracket pack of (4) 10-24 sex nuts for all fire rim and Squarebolt® devices.
- SN-134 – pack of (4) 1/4-20 sex nuts for all devices.

TORX® Security Screws:

Available for factory product orders. Wood screws may only be used in predrilled pilot holes of solid core wood doors.

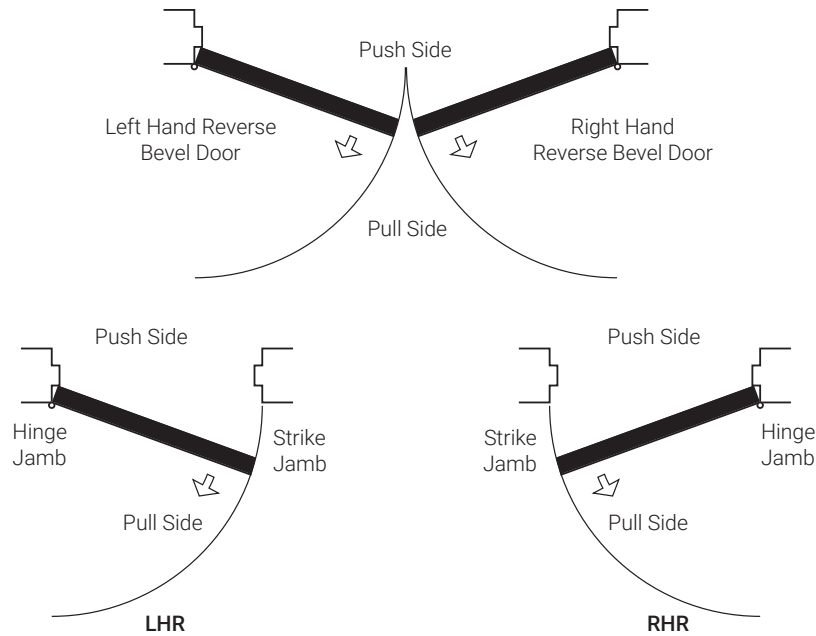
HANDING INSTRUCTIONS

Handing

Left Hand Reverse: Hinges on left, opens outward. For handed devices, specify LHR.

Right Hand Reverse: Hinges on right, opens outward. For handed devices, specify RHR.

Note: Doors with Panic-Exit and Fire Exit hardware must open out. Therefore, hands must be reverse bevel.



Rim Devices

6100(F), 6150(F), 6200, 6250 Series

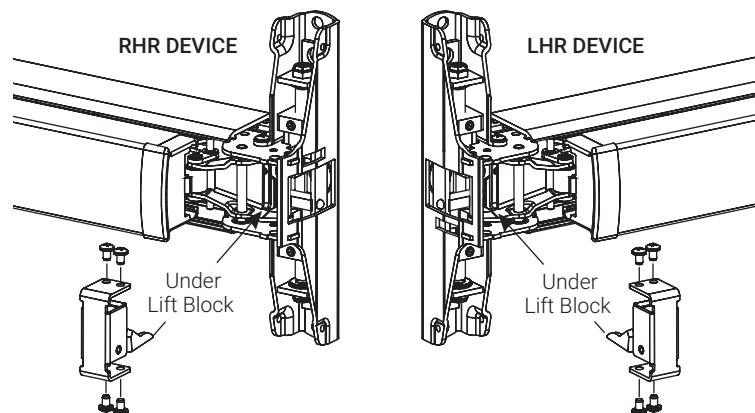
These devices are non-handed.

Vertical Rod Devices, Surface and Concealed

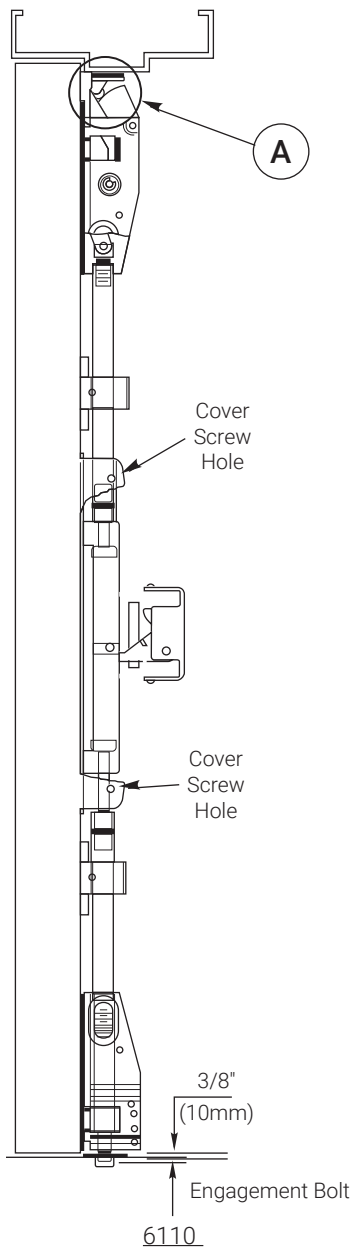
6160(F), 6170(F), 6210, 6220 Series

Remove four screws and vertical lifter assembly. Turn device to opposite (180 degrees) orientation, insert lifter assembly and reinstall screws.

NOTE: Lifter must fit under lift block as shown.



SURFACE VERTICAL ROD EXIT DEVICES



If top latch does not engage properly, check alignment. When locked, latch bolt should not be preloaded by strike (**Area A**). Shim or reposition strike if necessary. Bolts extend automatically when door closes and top strike hits tripping lever. Top bolt should retract flat. Bottom bolt should travel 1/2" and engage 3/8" into strike in down position, without dragging on floor surface in up position.

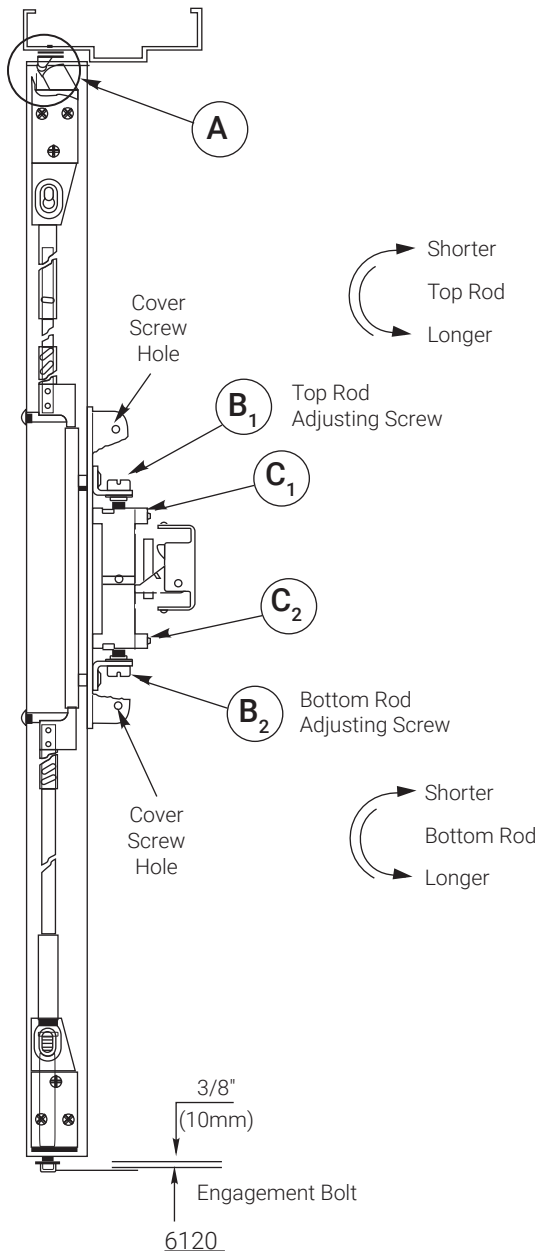
Rod Adjustment

1. Remove active case cover screws and cover.
2. Remove rod guide cover screws and rod guide covers. Tilt rods, top and bottom, out of engagement in active case and out of rod guides.
3. **Adjust top rod first.** Push up on top rod to fully retract top latch with hold back feature engaged. With device in dogged position (panic devices) or touch-bar fully depressed (fire devices), adjust top rod so that the square head of the rod connector slides into engagement in the active case. Shorten rod an additional 1/2 turn.
4. **Adjust bottom rod.** With top rod engaged, top latch retracted in hold back position, and touch bar dogged or fully depressed, adjust bottom rod so that the deadbolt clears the strike by 1/16". The bottom rod should be in position in the active case with the square head of the connector hanging in the slide.
5. **Check device operation** by opening and closing the door. When present, operate the device with the outside trim. An additional minor adjustment may be required for full retraction and correct strike engagement.
6. Reinstall the rod guide covers and the active case cover.

Maintenance

1. Periodically remove covers and coat mechanisms with an appropriate lubricant. This is regularly required in corrosive environments for proper product operation.
2. Check mounting fasteners periodically. Retighten if found loose. Apply screw locking compound or change part fasteners if screws continue to back out.
3. Periodic checks and adjustments of rods may be required to compensate for door or frame sag.

CONCEALED VERTICAL ROD EXIT DEVICES



Rods should move freely inside door. Bolts extend automatically when door closes and top strike is tripped. Top bolt should retract flat. Bottom bolt should travel 1/2" and engage 3/8" into strike in down position, without dragging on floor surface in up position.

If top latch does not engage properly check alignment. When locked, latch bolt should not be preloaded by strike (**Area A**). Shim or reposition strike if necessary.

Rod Adjustment for Bolt Throw

1. Remove Latch assembly cover screws and cover.
2. Use 3/32" Allen wrench to loosen set screws **C₁** and **C₂**.
3. Adjusting screws **B₁** and **B₂** only provide fine rod adjustment. If screws bottom out before proper device operation, door and device must be removed. Larger adjustments may then be made either by threading rod in or out, or by moving cotter pin to different hole in rod.
4. **Adjust top rod first.** With device in dogged position (panic devices) or touchbar fully depressed (fire devices), adjust top rod so that the top latchbolt is flush and the hold back feature is engaged. Lengthen top rod an additional 1/2 turn.
5. **Adjust bottom rod.** With top latch retracted in hold back position, and touch bar dogged or fully depressed, adjust bottom rod so that the deadbolt clears the strike by 1/16". The bottom rod should be in position in the active case with the square head of the connector hanging in the slide.
6. **Check device operation** by opening and closing the door. When present, operate the device with the outside trim. An additional minor adjustment may be required for full retraction and correct strike engagement.
7. When finished, lock adjusting screws in place with Allen set screws.

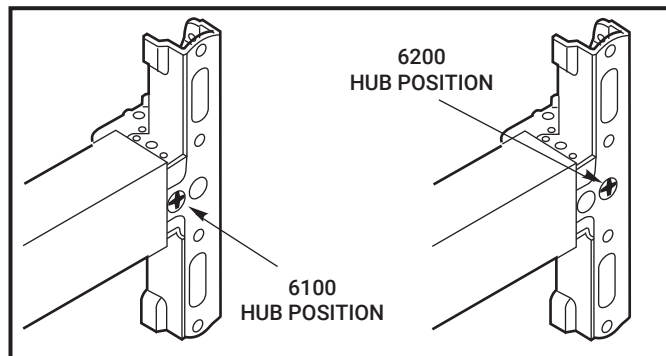
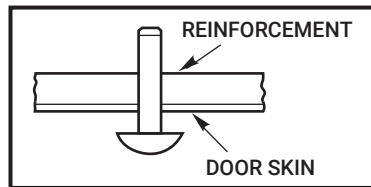
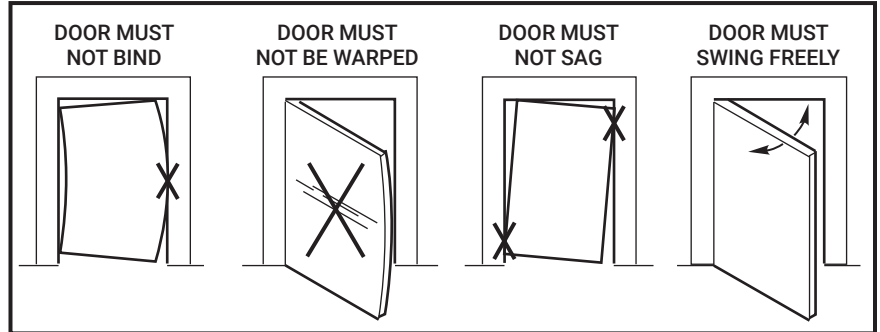
Caution: To avoid thread damage and provide positive locking, be sure Allen set screws engage flats on adjusting screws.

Maintenance

1. Periodically remove covers and coat exposed mechanisms with an appropriate lubricant. This is regularly required in cor-rosive environments for proper product operation.
2. Check mounting fasteners periodically. Retighten if found loose. Apply screw locking compound or change part fasteners if screws continue to back out.
3. Periodic checks and adjustments of rods may be required to compensate for door or frame sag.

TROUBLESHOOTING GUIDE

1. Many problems with the operation of exit devices are caused by factors other than the device itself. Among the most common is a misalignment or an improper fit of the door within the frame.
2. Another common source of problems is improper installation. Even if all cutouts and screw holes are properly located, exit devices must be securely fastened to properly reinforced doors. Hollow doors and frames with a structural thickness (metal skin plus reinforcement, or solid hardwood) must have at least three full screw threads to be considered reinforced.
3. Most problems with dogging occur on vertical rod devices. When the dogging function is hard to engage or will not work at all, the rods may be incorrectly adjusted allowing the mechanism to bottom out. Re-adjust rods per the device instructions or as outlined on the previous pages.



DIFFERENCE IN ACTIVE HEADS

NOTES

The ASSA ABLOY Group is the global leader in access solutions.
Every day, we help billions of people experience a more open world.

ASSA ABLOY Opening Solutions leads the development within door openings and products for access solutions in homes, businesses and institutions. Our offering includes doors, frames, door and window hardware, mechanical and smart locks, access control and service.

ACCENTRA
ASSA ABLOY

TECHNICAL SUPPORT

(troubleshooting, product use and application, returns)

Tel: 855-557-5078

Email: techsupport.accentra@assaabloy.com

CUSTOMER SUPPORT

(orders, product configuration, pricing, lead-time)

Tel: 855-557-5078 x2

Email: Customerservice.Accentra@assaabloy.com

 **WARNING**

This product can expose you to lead which is known to the state of California to cause cancer and birth defects or other reproductive harm. For more information go to www.P65warnings.ca.gov.

U.S.A.:
ASSA ABLOY ACCENTRA™
225 Episcopal Road
Berlin, CT 06037-4004
Tel: 1-800-438-1951
Fax: 1-800-338-0965
www.accentra-assaabloy.com

Canada:
ASSA ABLOY Door Security Solutions Canada
160 Four Valley Drive
Vaughan, Ontario L4K 4T9
Tel: 1-800-461-3007
Fax: 1-800-461-8989
assaabloydss.ca

International:
ASSA ABLOY Americas International
Tel: 1-905-821-7775
Fax: 1-905-821-1429
assaabloyai.com