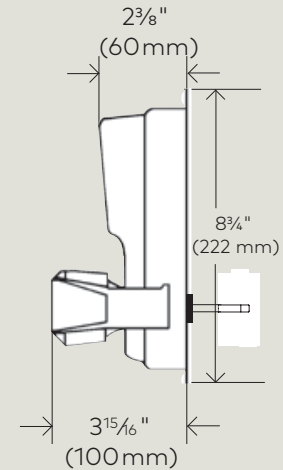
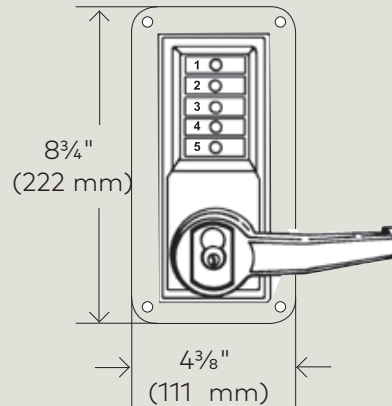


Simplex[®] LP1000 Series

dormakaba 



dormakaba's Simplex Mechanical Pushbutton Locks are a trusted keyless solution that eliminate problems and costs associated with issuing, controlling, and collecting keys and cards. These cipher locks use a simple numeric push button code to unlock - no keys, no cards, no electronics or computers, and no batteries!

The Simplex LP1000 Series provides exterior access by combination, while allowing free egress with Exit Device (not supplied). This fully mechanical lock eliminates the material and labor expense of battery replacements, has a single access-code and is programmed via the keypad without removing the lock from the door.

Features & Benefits

Access Control: Mechanical pushbutton lock eliminates problems and costs associated with issuing, controlling, and collecting keys and cards. Provides exterior access by combination, while allowing free egress with Exit Device (not supplied).

No Battery: Fully mechanical lock eliminates the material and labor expense of battery replacements

Locking Device Options

Rim Exit Device: Compatible with most leading brands of Exit Devices— see list below (Exit Device and mounting hardware not included)

Number of Codes: Single access code—one easy-to-manage code for all users

Handing: Factory-handed; not field reversible

Key Override (Optional): Small format interchangeable cores, large format removable cores

Operation Modes: Pushbutton Access - Exit Device may be "dogged" without affecting the LP1000

Economical: A cost-effective access control solution

Features

Exit Device Compatibility	Black & Decker (K-12) QED111/112 Cal Royal 5000/F5000 Detex Advantex Series 10, 20, 21,40, 50, 51 Detex 10/F10 Series Dorex 8500R/8500F Dorex 9500PR/9500FR Dorma 9100, 9300 Monarch XX-R*, FXX-R, 18-R*, F-18-R*, 17-R, F-17-R, XX-V*, F-XX-V*, 18-V*, F-18-V*, F-XX-V*, 11-R*, 11-V* *(requires special K-Hub Adapter Kit) Von Duprin 22, 88 NL, 98, 99, 900, 2227, 9827, 9847, 9847 WDC, 9848, 9857, 9927, 9947, 9947, WDC, 9948, 9957, 90027, 90047 WDC, 90057
----------------------------------	---

Cannot be used with mortise design or vertical rod Exit Devices

ATTENTION: Compatibility is subject to change if modifications are made by Exit Device manufacturers without dormakaba knowledge. For the most accurate listing of compatible Exit Devices, visit www.dormakaba.us

Mechanical Features

Construction	Heavy-duty cast front housing; heavy-duty mounting plate; fixed ADA-compliant lever
Numeric Keypad	Vandal resistant, solid metal pushbuttons
Handing	Factory-handed; not field reversible Door handing must be specified when ordering
Finishes	Standard: Antique Brass 05 (609), Satin Chrome 26D (626) Optional: Bright Chrome 026 (625), Bright Brass 03 (605)
Exit Device Strike	Supplied with Exit Device
Exit Device Hub Rotation	Up to 60°, counterclockwise for left hand and clockwise for right hand
Tailpiece	2¾" (70 mm) tailpiece for Exit Device operation from outside Optional 5" (125 mm) tailpiece for freezer doors (sold separately, part # 74773-000-01)
Minimum Stile Recommended	5" (127 mm)
Weight	8 lbs. (3.6 kg)

Key Override

Interchangeable Cores	Small format—Best and equivalents (6 or 7-pin length); core not included
Removable Cores	Large format—Medeco/ASSA/Yale/Abloy (5 or 6-pin length), Corbin Russwin, Schlage, and Sargent; core not included

Installation

Door Preparation	Recessed through bolts may be required for Exit Device preparation
Door Thickness	1⅝" (35 mm) to 2¼" (57 mm) Optional 5" (127 mm) tailpiece (sold separately, part # 74773-000-01)
Items Supplied Include	Installation manual, full-scale template, combination change tool, and required lock installation hardware only

Certification & Testing

Accessibility Standard	Americans with Disabilities Act (ADA); fixed ADA-compliant lever
Durability	Weather resistant
Fire Rating	3-hour UL/ULC fire rating for "A" labeled doors
Warranty	3 years

KA1359_01_23