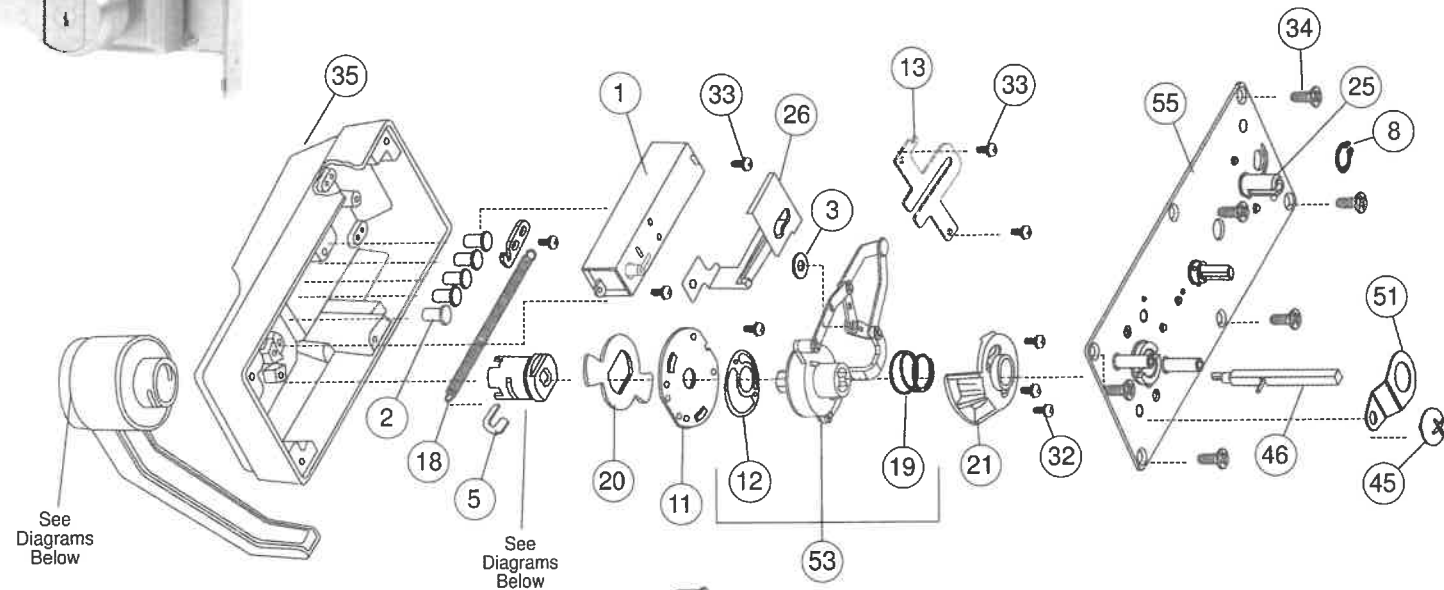
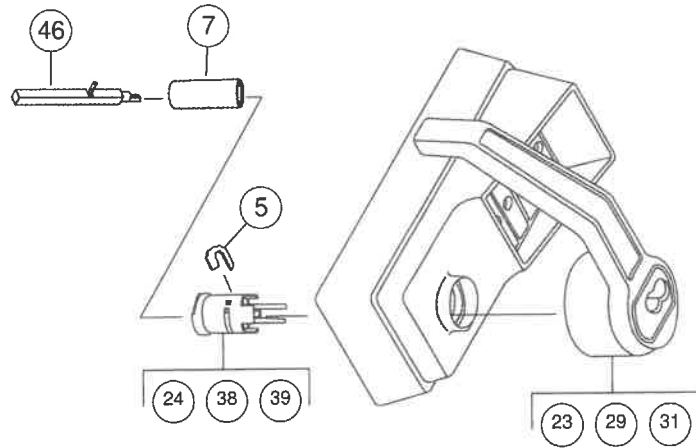
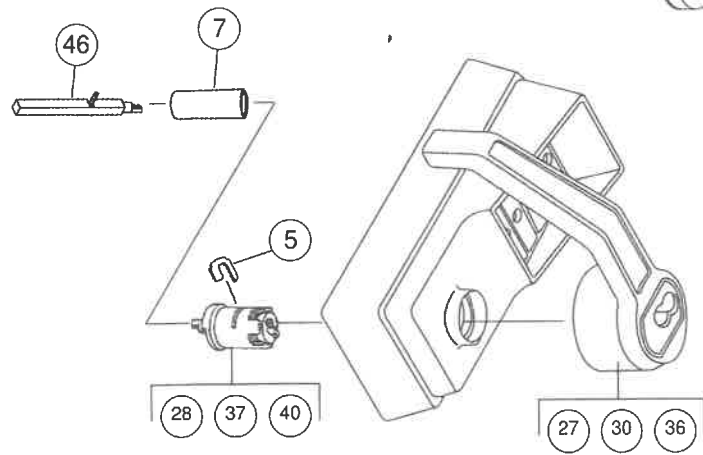


Simplex 8100 Series

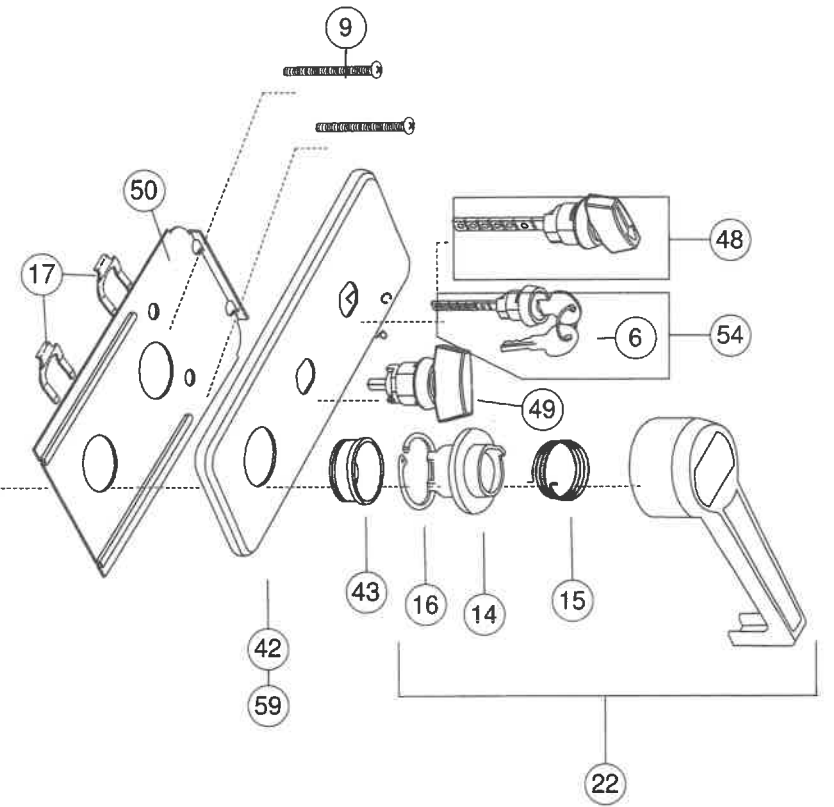
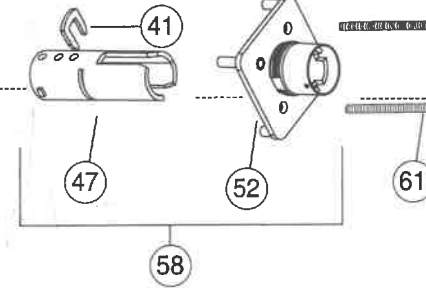
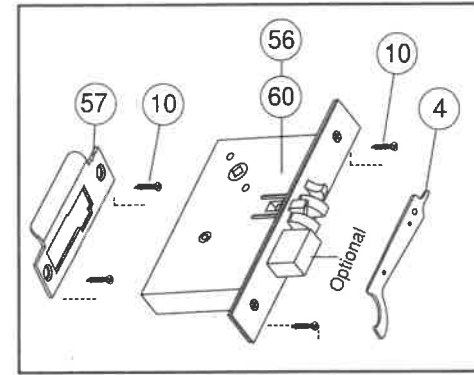


Right Hand Clutch



Key Override Models:
Medeco/ASSA/Yale
Schlage

Key Override Models:
Best & Equivalents
Corbin/Russwin
Sargent



8100 Series (continued)

Item	Qty/Lock	Description	Finish	Part Number
1	1	Combination Chamber (M-56/M-63)		74366-000-01
2	5	Pushbuttons (10 pack)	Black	200024-106-10
			Silver	200024-109-10
3	1	Bushing, Shaft (5 pack)		200026-000-05
4	1	Installation Wrench and DF-59 Keys (2) Kit (Includes 1 ea #4)		201278-000-01
5	1	Front Lever Retainer Clip (5 pack)		201343-000-05
6	1	Key DF-5 (For Passage and Lockout) (2 pack)		201422-000-02
7	1	Shaft Self-Aligning Bushing		201425-000-01
8	1	Retaining Ring 3/8" I.D. (10 pack)		201440-000-10
9	2	Screw, 8-32 x 2 1/2" Kit (For Mounting) (Includes 2 ea #9)	Satin Chrome	204210-26D-01
			Bright Brass	204210-03-01
			Antique Brass	204210-05-01
10	4	Combination Screw, Phillips 8-32 x 3/4" (10 pack)	Satin Chrome	201565-26D-10
			Bright Brass	201565-03-10
			Antique Brass	201565-05-10
11	1	Clutch Backing Plate		201708-000-01
12	1	Wave Spring (L1000 / 8100) (Includes 1 ea #12, #19)		201768-000-01
13	1	Guide Bracket		201721-000-01
14	1	Fixed Sleeve Kit - RH (Includes 1 ea #14, #15, #16)		201727-000-01
		LH (Includes 1 ea #14, #15, #16)		201733-000-01
15	1	Inside Lever Coil Return Spring RH		201730-000-01
		LH		201732-000-01
16	1	Inside Lever Fixed Sleeve Retainer Clip		201734-000-01
17	1	Spring Clip (For Passage & Lockout)		201740-000-10
18	1	Outside Lever Return Spring RH (Includes 1 ea #18, #20)		201773-000-01
		LH (Includes 1 ea #18, #20)		201774-000-01
19	1	Clutch Balance Spring (Includes 1 ea #12, #19)		201768-000-01
20	1	Stop Plate Assembly RH (Includes 1 ea #18, #20)		201773-000-01
		LH (Includes 1 ea #18, #20)		201774-000-01
21	1	Clutch Cover Assembly RH		201780-000-01
		LH		201781-000-01
22	1	Inside Lever Assembly (Includes 1 ea #14, #15, #16, #22) RH	Satin Chrome	201785-26D-01
			Bright Chrome	201785-026-01
			Bright Brass	201785-03-01
			Antique Brass	201785-05-01
		LH	Satin Chrome	201786-26D-01
			Bright Chrome	201786-026-01
			Bright Brass	201786-03-01
			Antique Brass	201786-05-01
23	1	Best Outside Lever Assembly (Also fits Falcon / Arrow / Eagle & KSP / Lloyd Matheson) (Removable Core) RH	Satin Chrome	201790-26D-01
			Bright Chrome	201790-026-01
			Bright Brass	201790-03-01
			Antique Brass	201790-05-01
		LH	Satin Chrome	201791-26D-01
			Bright Chrome	201791-026-01
			Bright Brass	201791-03-01
			Antique Brass	201791-05-01
24	1	Best Outside Drive Sleeve Assembly (Also fits Falcon / Arrow / Eagle & KSP / Lloyd Matheson) (Removable Core)		201792-000-01
25	1	Chamber Release Cam (Passage, Lockout) (Includes 1 ea #8, #25, #26)		201825-000-01
26	1	Chamber Release (For Passage Set) (Includes 1 ea #8, #25, #26)		201825-000-01
27	1	Schlage Outside Lever Assembly (Removable Core) RH	Satin Chrome	201829-26D-01
			Bright Chrome	201829-026-01
			Bright Brass	201829-03-01
			Antique Brass	201829-05-01
		LH	Satin Chrome	201830-26D-01
			Bright Chrome	201830-026-01
			Bright Brass	201830-03-01
			Antique Brass	201830-05-01
28	1	Medeco / ASSA / Yale Outside Drive Sleeve Assembly (Removable Core) (Old # for ASSA 204010)		201842-000-01
29	1	Sargent Outside Lever Assembly (Removable Core) RH	Satin Chrome	201925-26D-01
			Bright Chrome	201925-026-01
			Bright Brass	201925-03-01
			Antique Brass	201925-05-01
		LH	Satin Chrome	201926-26D-01
			Bright Chrome	201926-026-01
			Bright Brass	201926-03-01
			Antique Brass	201926-05-01

8100 Series (continued)

Item	Qty/Lock	Description	Finish	Part Number
30	1	Medeco / ASSA / Yale Outside Lever Assembly (Removable Core) (Old # for ASSA 204008 LH, 204009 RH) RH	Satin Chrome	201927-26D-01
			Bright Chrome	201927-026-01
			Bright Brass	201927-03-01
			Antique Brass	201927-05-01
		LH	Satin Chrome	201928-26D-01
			Bright Chrome	201928-026-01
			Bright Brass	201928-03-01
			Antique Brass	201928-05-01
31	1	Corbin / Russwin Outside Lever Assembly (Removable Core) RH	Satin Chrome	201929-26D-01
			Bright Chrome	201929-026-01
			Bright Brass	201929-03-01
			Antique Brass	201929-05-01
		LH	Satin Chrome	201930-26D-01
			Bright Chrome	201930-026-01
			Bright Brass	201930-03-01
			Antique Brass	201930-05-01
32	6	Sems Screw, Phillips 6-32 x 1/16" (11 mm) R.H.M.S. (Includes 10 ea #32, #33, #34) (clutch cover)		64776-000-01
33	4	Sems Screw, Phillips 6-32 x 1/16" (8 mm) R.H.M.S. (Includes 10 ea #32, #33, #34) (chamber)		64776-000-01
34	6	Screw Phillips 6-32 x 3/8" F.H.M.S. (back plate) (Includes 10 ea #32, #33, #34)		64776-000-01
35	1	Front Lock Housing	Satin Chrome	203000-26D-01
			Bright Chrome	203000-026-01
			Bright Brass	203000-03-01
			Antique Brass	203000-05-01
38	1	Corbin / Russwin Outside Drive Sleeve Assembly (Removable Core)		204036-000-01
39	1	Sargent Outside Drive Sleeve Assembly (Removable Core)		204037-000-01
40	1	Schlage Outside Drive Sleeve Assembly (Removable Core)		204038-000-01
41	1	Inside Lever Retainer Clip (5 pack)		204120-000-05
42	1	Unified Trim Plate - with Deadbolt	Satin Chrome	801218-26D-01
			Bright Chrome	801218-026-01
			Bright Brass	801218-03-01
			Antique Brass	801218-05-01
43	1	Thread Ring	Satin Chrome	801227-26D-01
			Bright Brass	801227-03-01
			Antique Brass	801227-05-01
44	1	Gear Detention Spring (Not shown in exploded view)		801231-000-01
45	1	Drive Shaft Assembly Bracket Screw (Includes 1 ea #45, #51)		801247-000-01
46	1	Drive Shaft Assembly		801239-000-01
47	1	Inside Drive Sleeve RH		801240-000-01
		LH		801257-000-01
48	1	Thumb Turn Assembly (Passage & Lockout)	Satin Chrome	801279-26D-41
			Bright Brass	801276-03-41
			Antique Brass	801279-05-41
49	1	Thumb Turn Assembly (Deadbolt)	Satin Chrome	801243-26D-01
			Bright Brass	801243-03-01
			Antique Brass	801243-05-41
50	1	Reinforcing Plate		801245-000-01
51	1	Drive Shaft Assembly Bracket (Includes 1 ea #45, #51)		801247-000-01
52	1	Inside Lever Sleeve Base RH	Satin Chrome	801248-26D-01
			Bright Brass	801248-03-01
			Antique Brass	801248-05-01
		LH	Satin Chrome	801249-26D-01
			Bright Brass	801249-03-01
			Antique Brass	801249-05-01
53	1	Clutch Assembly (Includes 1 ea #12, #19, #53) RH		801252-000-01
		LH		801253-000-01
54	1	Passage Plug Assembly - with (2) DF5 Keys (Passage & Lockout)	Satin Chrome	801279-26D-01
			Bright Brass	801279-03-01
			Antique Brass	801279-05-01
55	1	Back Plate Assembly RH		801260-000-01
		LH		801272-000-01
56	1	Mortise Assembly with Deadbolt (Includes 1 ea #56 #57) RH	Satin Chrome	801261-26D-41
			Bright Brass	801261-03-41
			Antique Brass	801261-05-41
		LH	Satin Chrome	801275-26D-41
			Bright Brass	801275-03-41
			Antique Brass	801275-05-41

8100 Series (continued)

Item	Qty/Lock	Description	Finish	Part Number
57	1	Strike Plate (Includes screws) RH	Satin Chrome	801262-26D-01
			Bright Brass	801262-03-01
			Antique Brass	801262-05-01
		LH	Satin Chrome	801276-26D-01
			Bright Brass	801276-03-01
			Antique Brass	801276-05-01
58	1	Inside Lever Sleeve Assembly RH	Satin Chrome	801265-26D-01
			Bright Chrome	801265-026-01
			Bright Brass	801265-03-01
		LH	Antique Brass	801265-05-01
			Satin Chrome	801266-26D-01
			Bright Chrome	801266-026-01
		Bright Brass	801266-03-01	
			Antique Brass	801266-05-01
			59	1
Bright Chrome	801278-026-01			
Bright Brass	801278-03-01			
Antique Brass	801278-05-01			
60	1	Mortise Assembly - without Deadbolt RH	Satin Chrome	801287-26D-01
			Bright Brass	801287-03-01
			Antique Brass	801287-05-01
		LH	Satin Chrome	801288-26D-01
			Bright Brass	801288-03-01
			Antique Brass	801288-05-01
61	1	Mounting Screw Kit (Includes 4 ea #61, (4 sizes), 2 pins)		64777-26D-01
62	1	Installation Hardware Kit (Not shown in exploded view)	Satin Chrome	801259-26D-01
			Bright Brass	801259-03-01
			Antique Brass	801259-05-01

Note: Lubriplate Aero grease is the "only" lubricant that should be used.