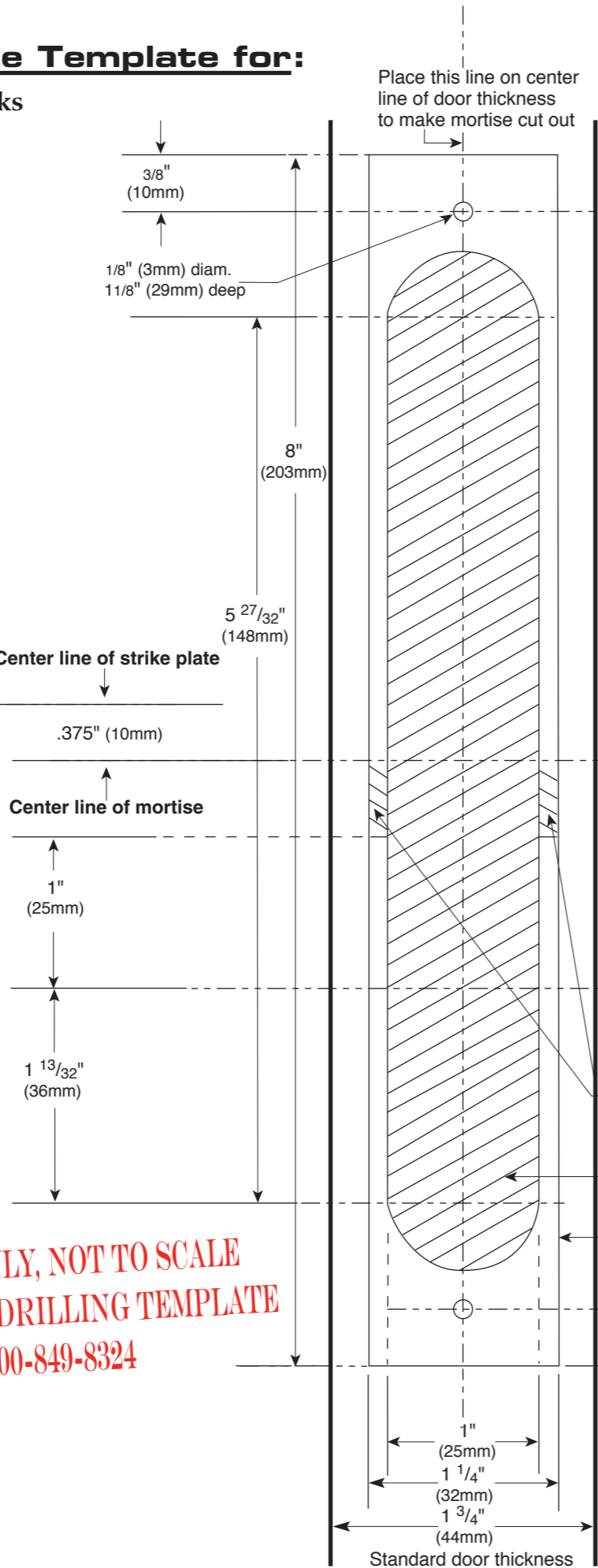
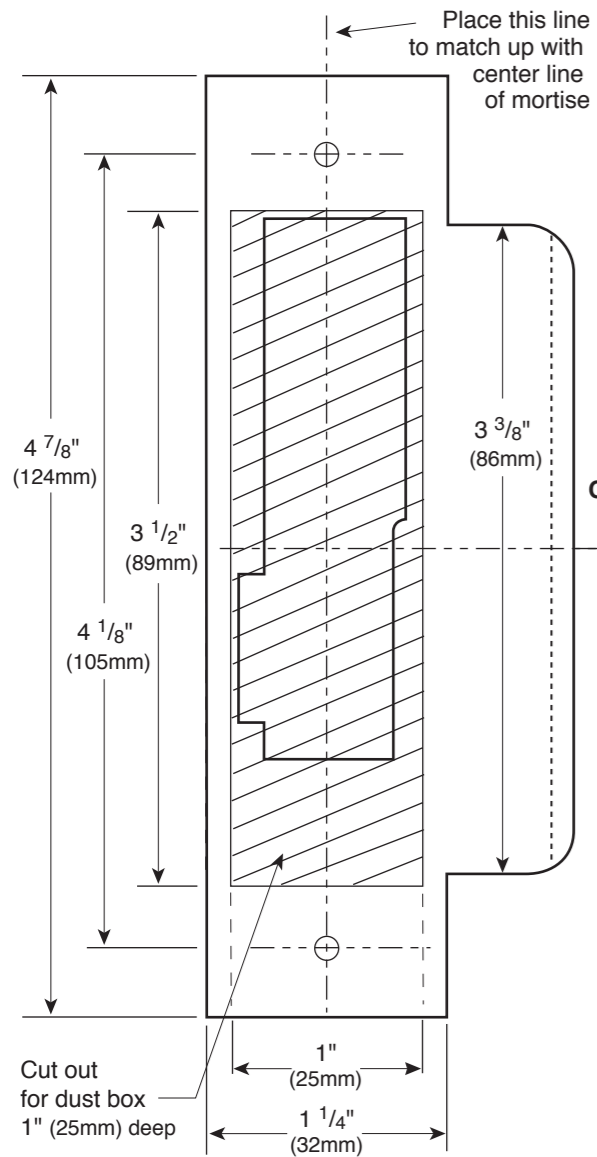


# American Steel Mortise Template for:

## 8100 Series Pushbutton Mortise Locks

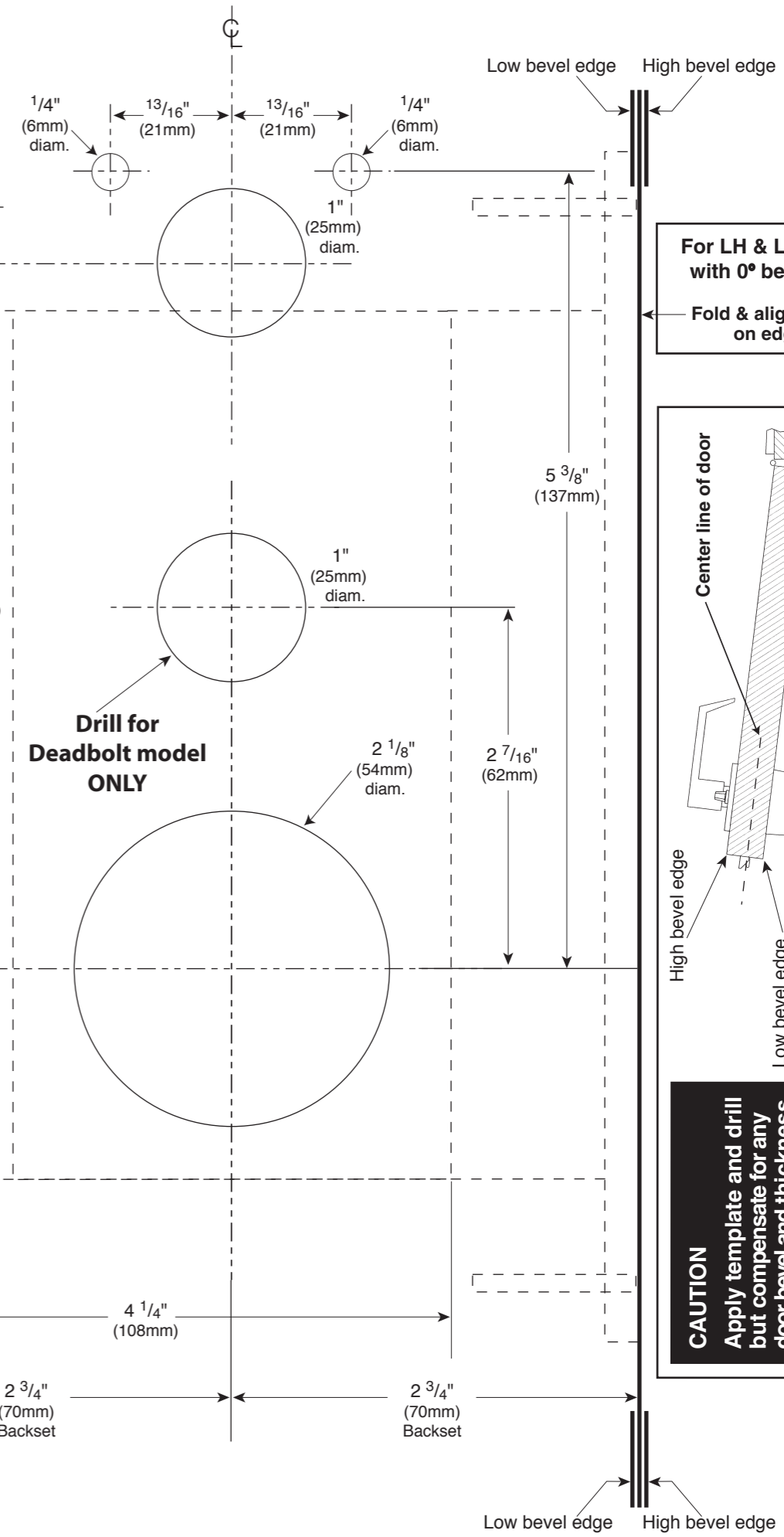
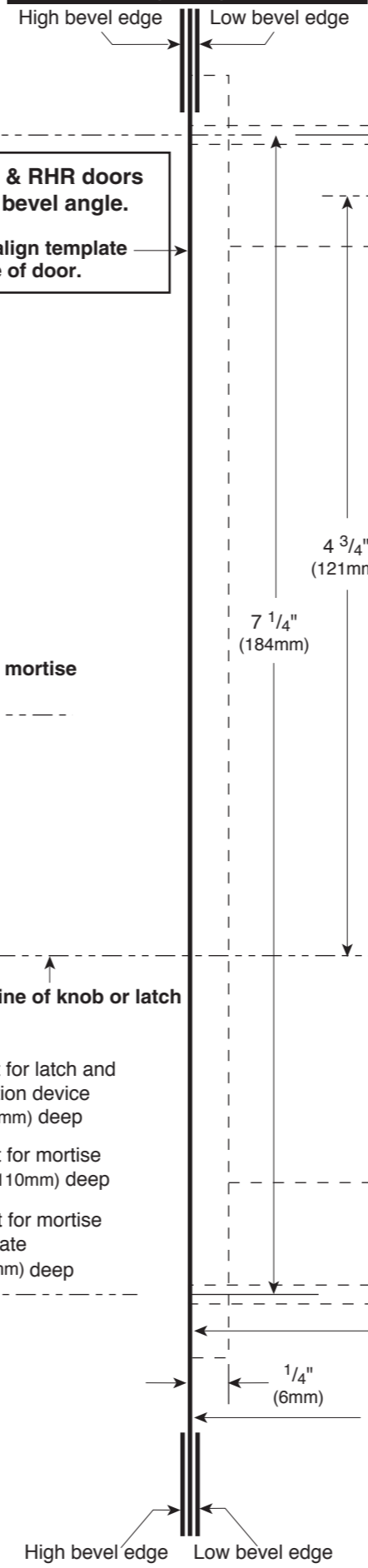
Note: Use template for right and left hand doors.

ASA door strike preparation (left or right)  
(right hand strike shown below)

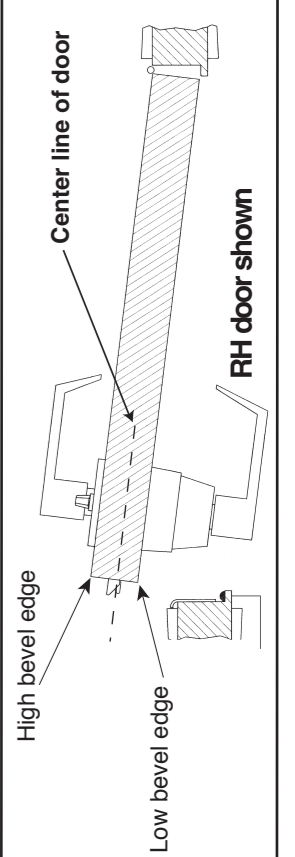


**For RH & RHR doors with 0° bevel angle.**  
Fold & align template on edge of door.

**High Bevel Edge & Low Bevel Edge**  
Indications are for 3 Bevel Angle for 1 3/4" (44mm) Doors.



**For LH & LHR doors with 0° bevel angle.**  
Fold & align template on edge of door.



**CAUTION**  
Apply template and drill but compensate for any door bevel and thickness different from the standard shown

**REFERENCE ONLY, NOT TO SCALE**  
**DO NOT USE AS A DRILLING TEMPLATE**  
**CALL 800-849-8324**



**Kaba Access Control**  
2941 Indiana Avenue  
Winston-Salem, NC 27105 U.S.A.  
Tel: (800) 849-8324