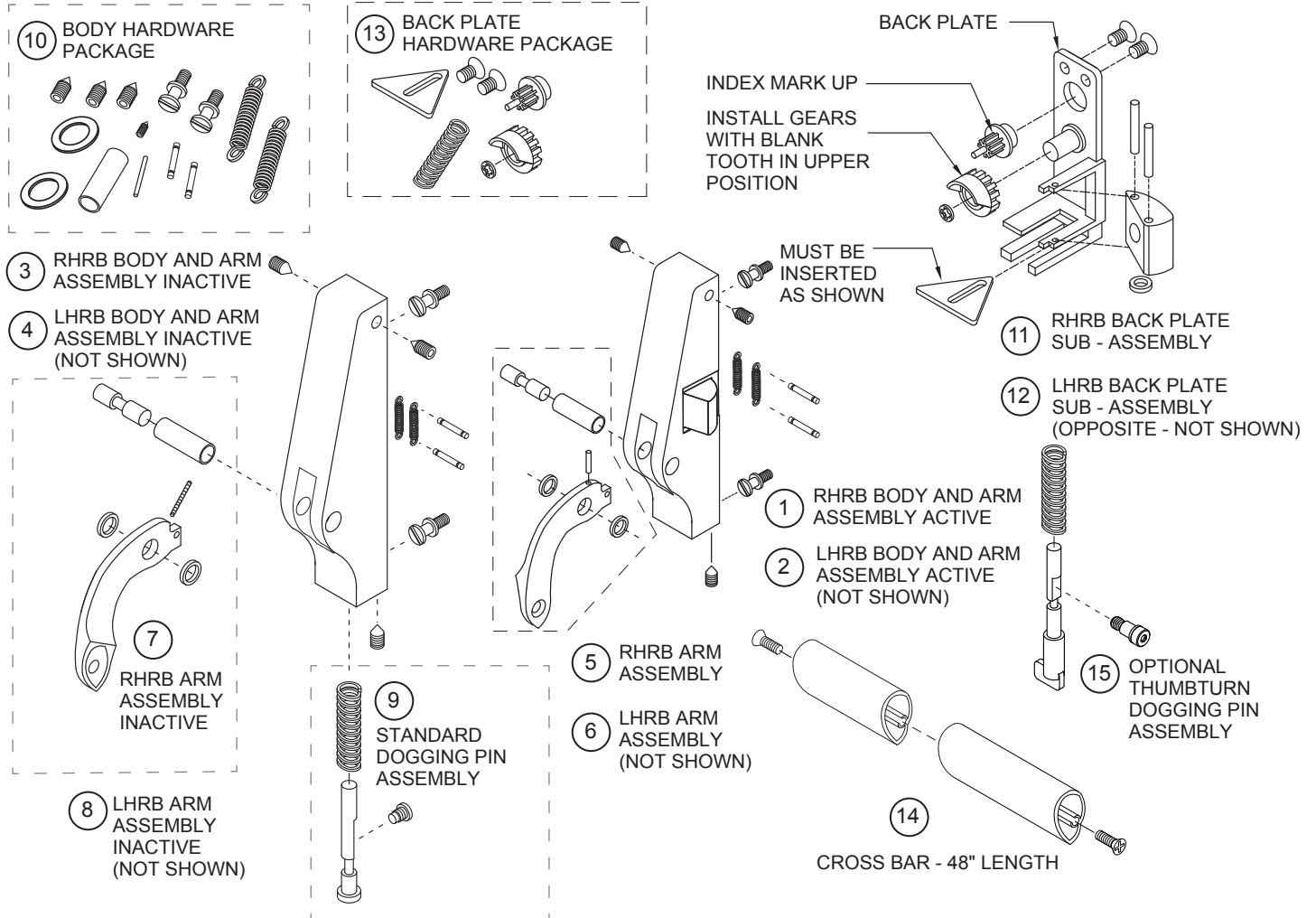
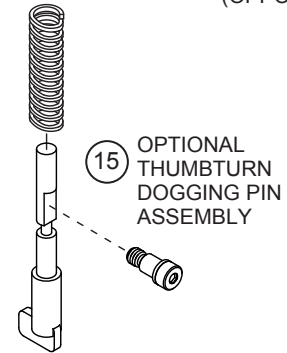
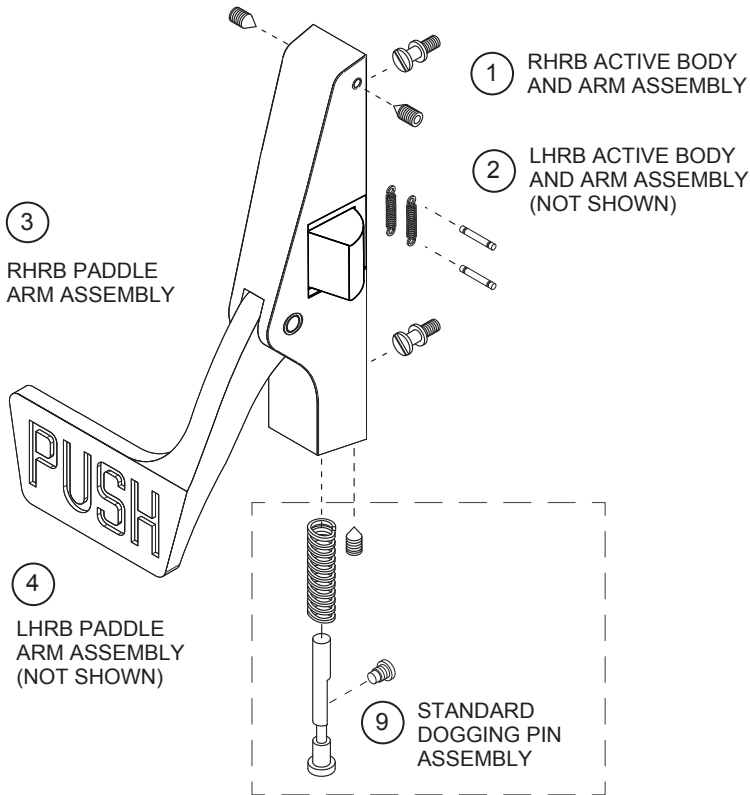
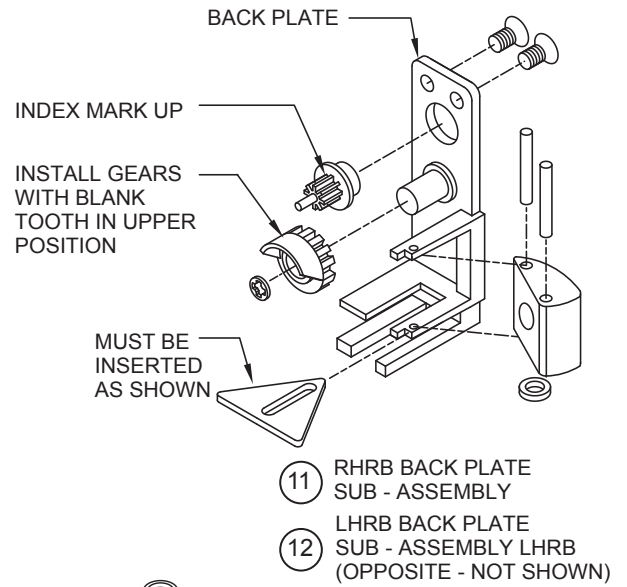
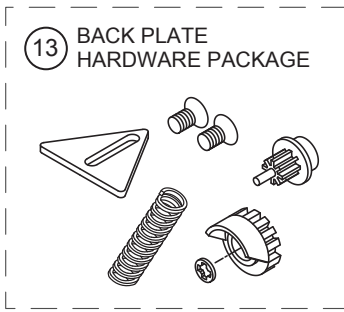
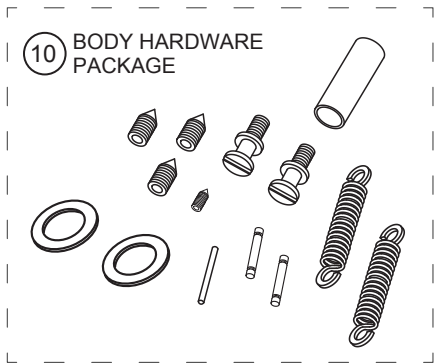


PACKAGED PARTS AVAILABLE



Assembly No.	Part No.	Description
1	30988	RHRB - ACTIVE BODY AND ARM ASSEMBLY
2	30989	LHRB - ACTIVE BODY AND ARM ASSEMBLY (NOT SHOWN)
3	30990	RHRB - INACTIVE BODY AND ARM ASSEMBLY
4	30991	LHRB - INACTIVE BODY AND ARM ASSEMBLY (NOT SHOWN)
5	301247	RHRB - ARM ASSEMBLY
6	301248	LHRB - ARM ASSEMBLY (NOT SHOWN)
7	301242	RHRB - ARM ASSEMBLY
8	301243	LHRB - ARM ASSEMBLY (NOT SHOWN)
9	301115	STANDARD DOGGING PIN ASSEMBLY
10	30851	BODY HARDWARE PACKAGE
11	30846	RHRB - BACK PLATE SUB - ASSEMBLY
12	30847	LHRB - BACK PLATE SUB - ASSEMBLY (NOT SHOWN)
13	30852	BACK PLATE HARDWARE PACKAGE
14	30733PKG	48" (1219 mm) CROSSBAR WITH SCREWS
15	301117	OPTIONAL THUMBTURN DOGGING PIN ASSEMBLY

PACKAGED PARTS AVAILABLE



Assembly No.	Part No.	Description
1	30998	RHRB - ACTIVE BODY AND PADDLE ASSEMBLY
2	30999	LHRB - ACTIVE BODY AND PADDLE ASSEMBLY (NOT SHOWN)
3	301245	RHRB - PADDLE ARM ASSEMBLY
4	301246	LHRB - PADDLE ARM ASSEMBLY (NOT SHOWN)
9	301115	STANDARD DOGGING PIN ASSEMBLY
10	30851	BODY HARDWARE PACKAGE
11	30846	RHRB - BACK PLATE SUB - ASSEMBLY
12	30847	LHRB - BACK PLATE SUB - ASSEMBLY (NOT SHOWN)
13	30852	BACK PLATE HARDWARE PACKAGE
14	301117	OPTIONAL THUMBTURN DOGGING PIN ASSEMBLY