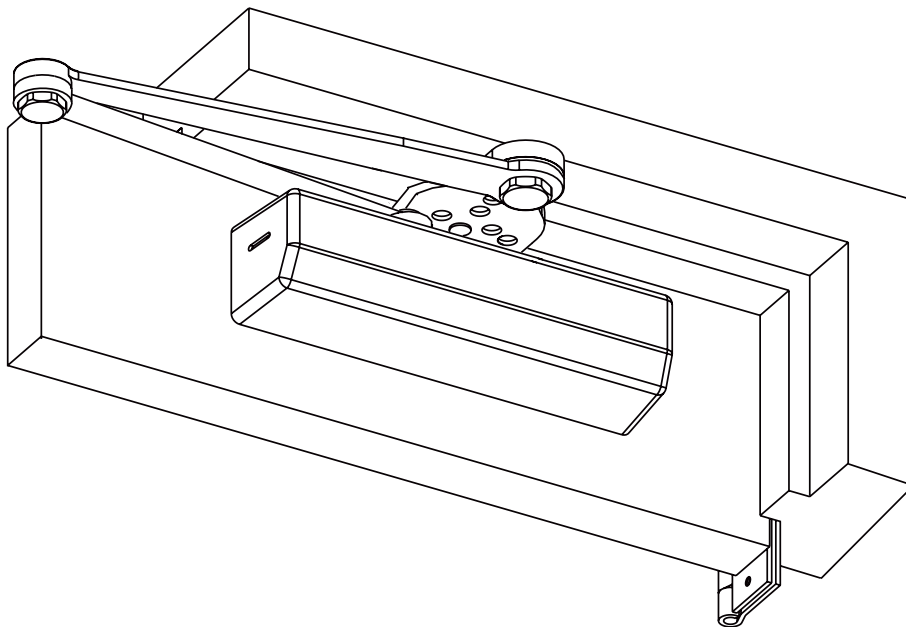


DC3210 Series

A3 Heavy Duty Non-Hold Open Parallel Arm



Important

- An improperly installed or incorrectly adjusted door closer may cause property damage or personal injury; and will void product warranty.
- To avoid personal injury, **DO NOT DISASSEMBLE THIS DOOR CLOSER BODY.**
- Door closers must be securely fastened to a properly reinforced door and frame with fasteners provided.
- An auxiliary door stop, BY OTHERS, is required for this Installation.

DC3210 Series Closer

A3 Heavy Duty Non-Hold Open Parallel Arm

Installation Instructions



ASSA ABLOY

1

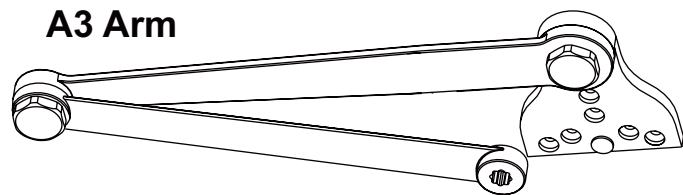
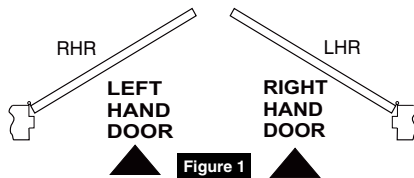
Introduction



BEFORE INSTALLING:

- The Americans with Disabilities Act (ADA) requires that doors having door closers have an opening force not to exceed 5 lbf. for interior doors, 8.5 lbf exterior doors.
- The door closer's power size adjustment feature may require adjustment to its lowest setting to comply with ADA opening force guidelines.
- ADA compliant closer: DC3210.

TO DETERMINE HAND OF YOUR DOOR:



Heavy Duty Non-Hold Open

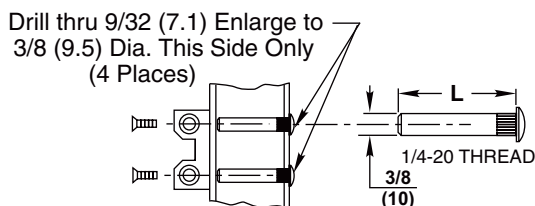
Size of Door & Door Closer					
Type of Installation	Interior	Exterior In-swinging	Exterior Out-swinging	Recommended Closer Size	**Max. Opening Force lbs/f
Parallel Arm	2' 4"	-	-	1	8
	2' 6"	-	-	2	14
	3' 0"	-	2' 6"	3	16
	3' 6"	-	3' 0"	4	22
	4' 0"	-	3' 6"	5	24
	4' 6"	-	4' 0"	6	26

****NOTE:** These forces are for standard templating with bearing type hinges and do not account for pressure differentials and draft.

MOUNTING SCREW SPECIFICATIONS

ARM AND CLOSER BRACKET

1/4-20 oval head machine screw or 1/4-14 self-drilling screw Type BSD. 3/16 (4.8) diameter pilot hole required for Wood Applications. } or { Option M54: Sex nuts, furnished when ordered



DOOR THICKNESS	SEX NUT LENGTH "L"
1-3/8" (35mm)	1-9/32" (33mm)
1-3/4" (44mm) & OVER	1-21/32" (42mm)

2

Installation

1. Template

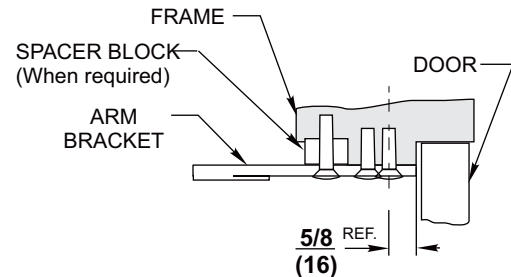
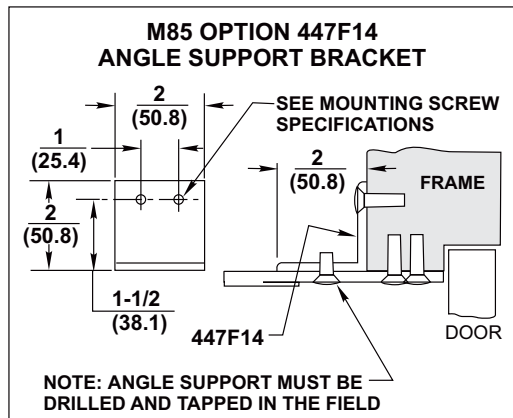
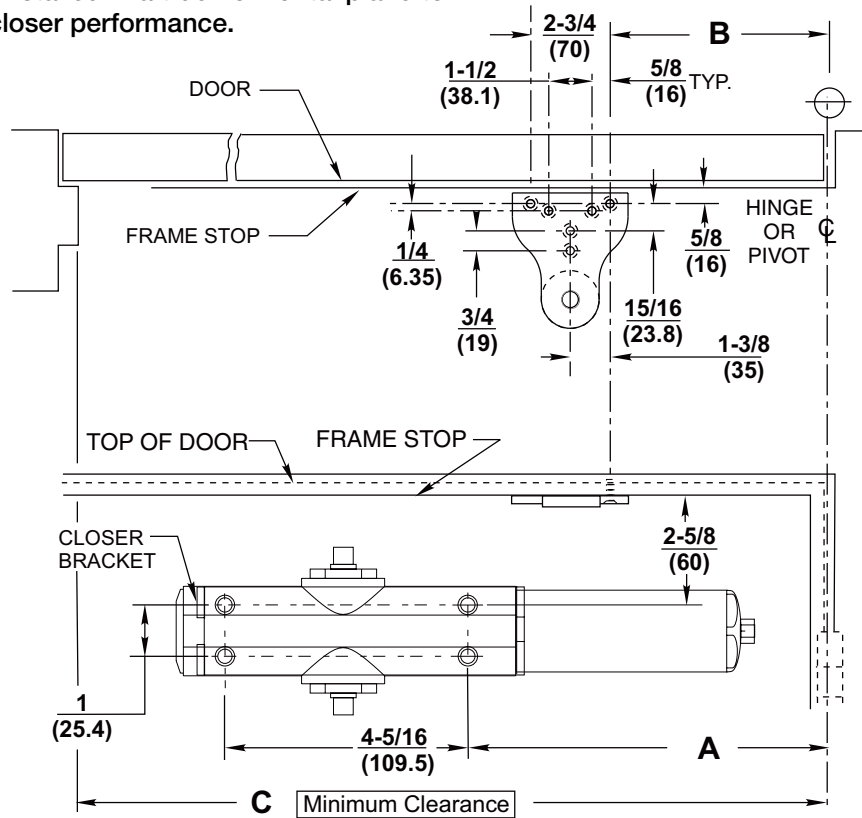
Mark and prepare door and jamb (for closer bracket and arm bracket). Use template and dimensions charted. (Figure 2)

NOTES:

- Check hand of door. (Figure 1)
- Right Hand Application Shown, Left Hand Opposite
- Dimensions given in inches (mm). Do Not Scale Drawing.
- Closer must be installed in a true horizontal plane to ensure proper closer performance.

Opening Maximum	DIM. A	DIM. B	DIM. C	Application
90°	12-3/4" (324mm)	11-5/8" (295mm)	27-3/4" (705mm)	NON A.D.A.
180°	8-11/16" (221mm)	7-9/16" (192mm)	23-5/8" (600mm)	

Figure 2



DC3210 Series Closer

A3 Heavy Duty Non-Hold Open Parallel Arm

Installation Instructions



ASSA ABLOY

2

Installation

2. Install Closer Bracket. (Figure 3)

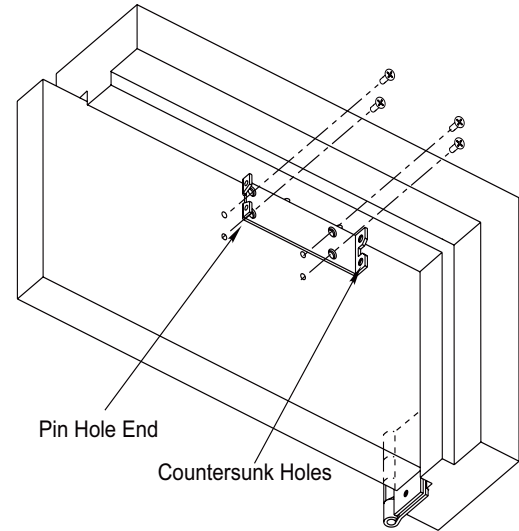


Figure 3

3. Mount Closer Body to Closer Bracket. (Figure 4)

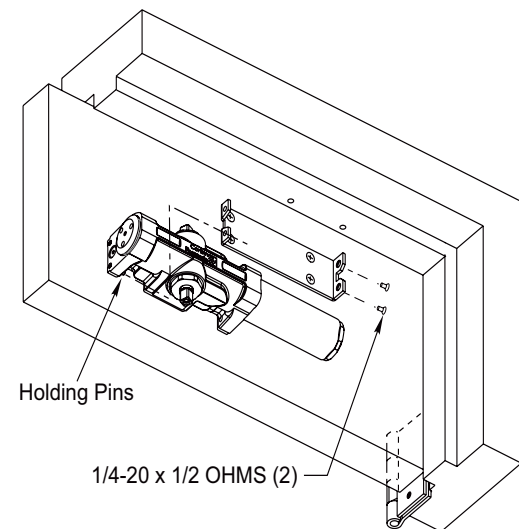


Figure 4

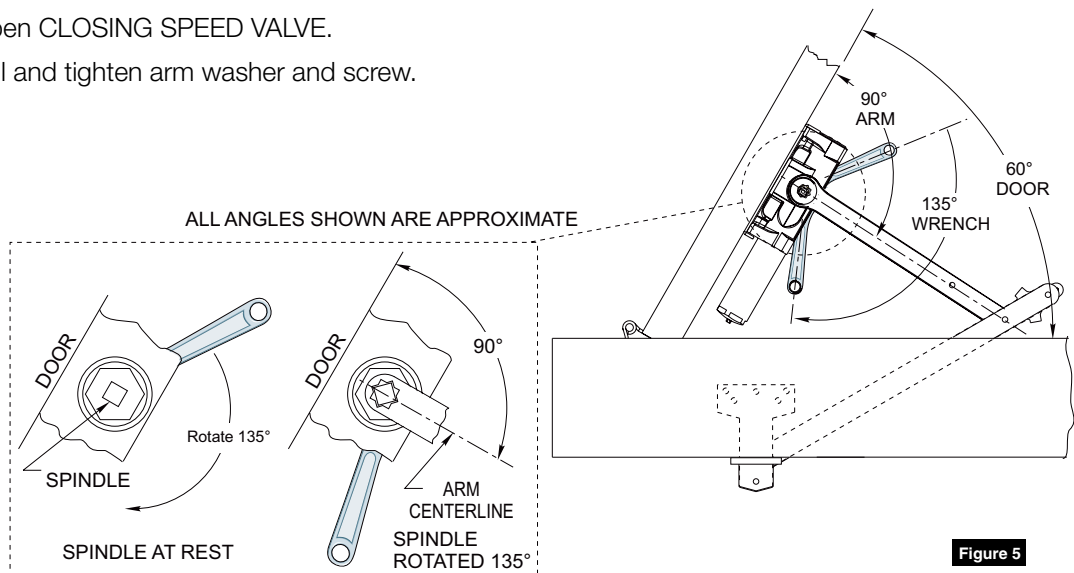
2

Installation

4 Connect Arm To Closer. (Figure 5)

Using hex wrench provided, close (turn clockwise) CLOSING SPEED VALVE (see page 5 for location on closer). **DO NOT OVER TIGHTEN.**

- Open door to approximately 60°.
- Using wrench on underside of spindle, rotate spindle approximately 135° toward hinge edge of door.
- Install arm on spindle at an approximate 90° angle to door.
- Reopen CLOSING SPEED VALVE.
- Install and tighten arm washer and screw.



DC3210 Series Closer

A3 Heavy Duty Non-Hold Open Parallel Arm

Installation Instructions



ASSA ABLOY

3

Adjustments

Adjustments (Figure 6)

(3/32 Allen Wrench Provided)

Closing Speed Valve (Figure 7)

To adjust speed of door closing from fully open to a position 2 to 5" from closed, turn Closing Speed Valve **CLOCKWISE** to **SLOW** closing, **COUNTER-CLOCKWISE** to **SPEED** closing.

Latching Speed Valve (Figure 8)

After closing speed has been obtained, turn latching speed valve **CLOCKWISE** to **SLOW** latching or **COUNTER-CLOCKWISE** to **SPEED** latching for last 2" to 5" of door travel.

NOTE: Set combination of CLOSING and LATCHING speeds to between 3 and 7 seconds. Use of door by handicapped, elderly or small children, may require even greater closing time.

Backcheck Intensity Valve (Figure 7)

Turn valve **COUNTER-CLOCKWISE** to reduce backcheck or **CLOCKWISE** to increase backcheck. (Backcheck should be set to give a soft cushioning action, not a sudden stop).

Delayed Action Valve (Figure 7)

Turn valve **CLOCKWISE** to **SLOW** closing, **COUNTER-CLOCKWISE** to **SPEED** closing. Delayed action may be adjusted from 20 seconds to 90 seconds, depending on degree of door swing. Delay occurs at the beginning of the door closing cycle from fully open down to 70°, where the closing speed valve then begins its control.

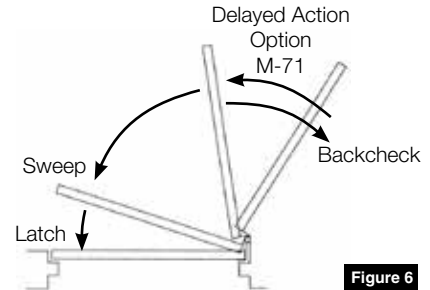


Figure 6

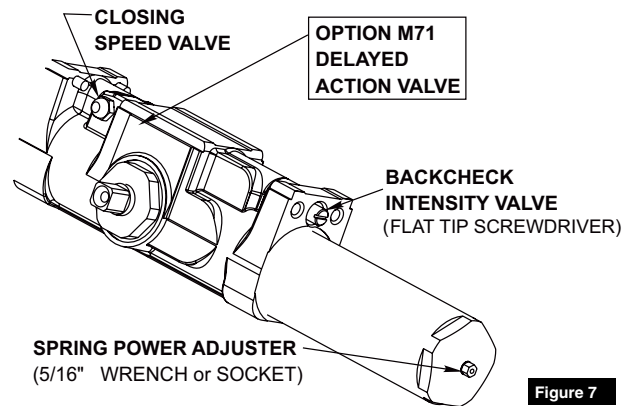


Figure 7

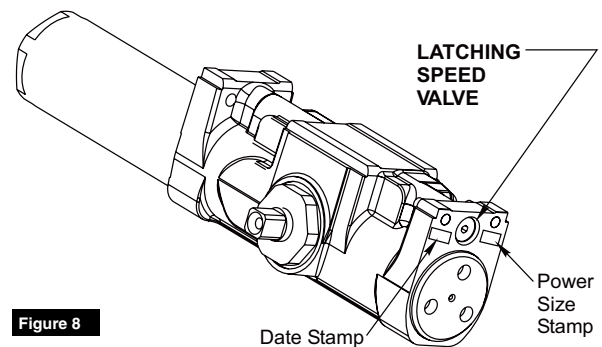


Figure 8

A3 Heavy Duty Non-Hold Open Parallel Arm

Installation Instructions

3

Adjustments

Adjust Spring Power According to Chart DC3200 Size 1-6 Adjustment (Figure 9)

- All DC3200 closers are factory set at an approximate Size 3.
- Adjust closer as necessary for door size using this chart.
- Readjustment may be required to suit prevailing conditions.

Size of Door			No. of Full (360°) Turns Clockwise of Power Adjuster	Equivalent Closer Size (Approx.)
Interior	Exterior In-Swinging	Exterior Out-Swinging		
2' 4" (712)	2' 6" (764)	-	4	2
2' 6" (764)	3' 0" (915)	-	8	3
3' 0" (915)	3' 6" (1067)	2' 6" (764)	12	4
3' 6" (1067)	4' 0" (1219)	3' 0" (915)	16	5

Figure 9

4

Cover Installation

Install Cover (Figure 10)

Slip cover over closer. Hold tightly against closer mounting surface. Secure on each side with 6-32 x 1/4 PBHMS screws.

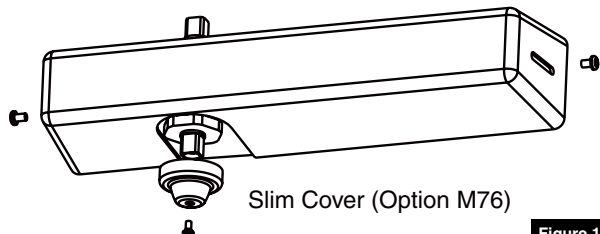


Full Cover (Standard)

Figure 10

Slim Cover Option M76 only (Figure 11)

Position spindle cap over unused spindle and secure with truss head screw.



Slim Cover (Option M76)

Figure 11

Corbin Russwin
225 Episcopal Road
Berlin, CT 06037
Phone: 800-543-3658
Fax: 800-447-6714
corbinrusswin.com

ASSA ABLOY is the global
leader in door opening solutions,
dedicated to satisfying
end-user needs for security,
safety and convenience

Copyright © 2018 Corbin Russwin, Inc., an ASSA ABLOY Group company.
All rights reserved. Reproduction in whole or in part without the express written
permission of Corbin Russwin, Inc. is prohibited.

Patent pending and/or patent: www.assaabloydss.com/patents

**For installation assistance contact Corbin Russwin
1-800-543-3658 • techsupport.corbinrusswin@assaabloy.com**