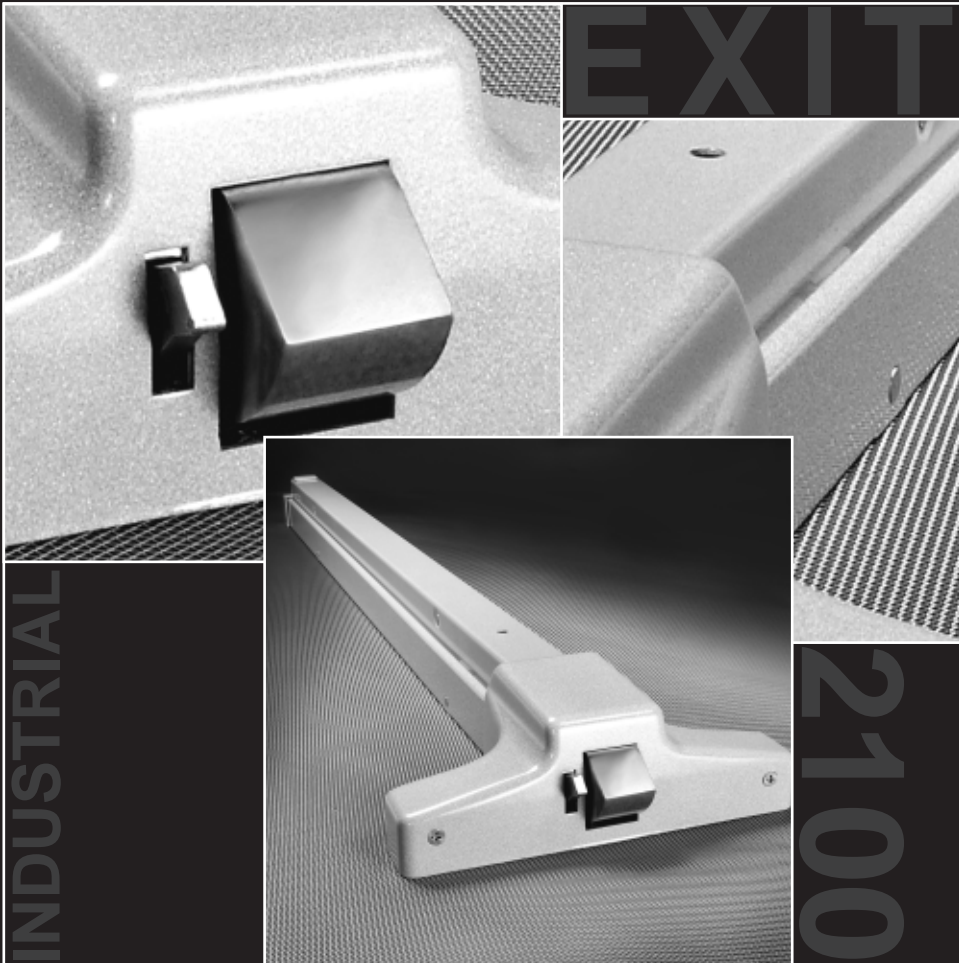


# Yale®

FLATBAR EXIT DEVICE

# 2100 SERIES



PARTS & SERVICE MANUAL



# TABLE OF CONTENTS

Finish Chart ..... 2

Installation Notes ..... 3

How to Order Parts ..... 3

Handing ..... 3

**Exit Devices**

2100/2100F Rim Exit Device ..... 4

2100 Bar Assembly ..... 5

2110/2110F Surface Vertical Rod Exit Device ..... 6-7

**Trim**

522F, 524F, 525F, 526F, 528F, 529F Trim ..... 8-9

523F, 527F Trim ..... 10-11

520F, 521F Trim ..... 12-13

533F, 535F Trim ..... 14-15

532F, 534F Trim ..... 16-17

530F, 531F Trim ..... 18-19

541F, 546F, 548F, 549F Trim ..... 20-21

542F, 544F Trim ..... 22-23

581F, 586F, 588F, 589F Trim ..... 24-25

213F, 214F, 217F Trim ..... 26

**Levers and Knobs** ..... 27

**Lever/Rose Assemblies** ..... 28-33

**Cylinders** ..... 34

**Strikes** ..... 35

**Accessories** ..... 36

**2116 Alarm Kit** ..... 37

**Mullion Parts** ..... 38

**Handing Instructions** ..... 39-40

**Troubleshooting** ..... 41

# FINISH CHART

ANSI Code	Finish Description
612*	Satin bronze, clear coated
613*	Dark oxidized satin bronze, oil rubbed
626*	Satin chrome plated
630	Satin stainless steel
689	Aluminum painted
691	Light bronze painted
695	Dark bronze painted

\*Trim finish option only.

# INTRODUCTION

## Installation Notes

1. Only fire-rated components can be used on fire-rated exit devices. Doing otherwise will void any type of product warranty, labeling and listing. Any component bearing the UL mark for fire rating cannot be supplied Ref. items with symbol.
2. Refer to the templates and installation instructions for complete door preparation and installation requirements.
3. Machine screws are provided for steel reinforced doors, threaded-to-the-head AB Type screws are provided for wood door applications. In addition, sex nuts and bolts are provided for fire-rated devices and are optional for non-rated devices. It is recommended that sex nuts and bolts be used for all exit device applications. This will improve the performance and extend the life of the product.

## How to Order Parts

1. In order to simplify the ordering procedure and maintain regulatory compliance, parts are only available as listed
2. To order parts, provide the appropriate quantity, part number, finish, hand (when required) and description as directed and illustrated below.

For example, use the following configuration to order:

- A) ten mullion stabilizer kits (page 38) to match 600 application (primed for painting)
- B) one surface vertical rod latch cover (page 6) in bright brass

	Quantity	Part Number	Finish	Hand	Description
A	10	81-9500-1417-FIN	600	---	Stabilizer Kit
B	1	60-7010-X040-FIN	605	---	Top Latch Cover

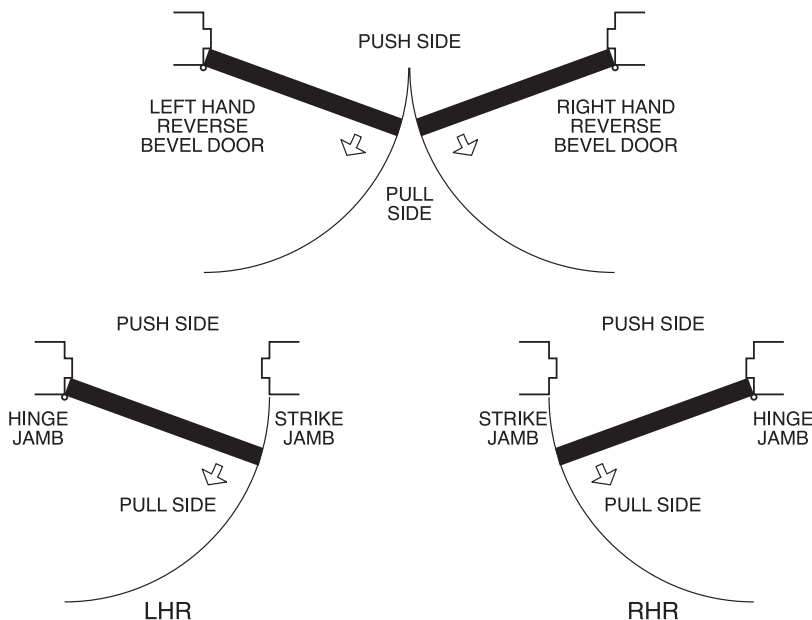
For assistance, contact your authorized Yale® distributor or sales agency, or visit our website at [www.yalecommercial.com](http://www.yalecommercial.com).

## Handing

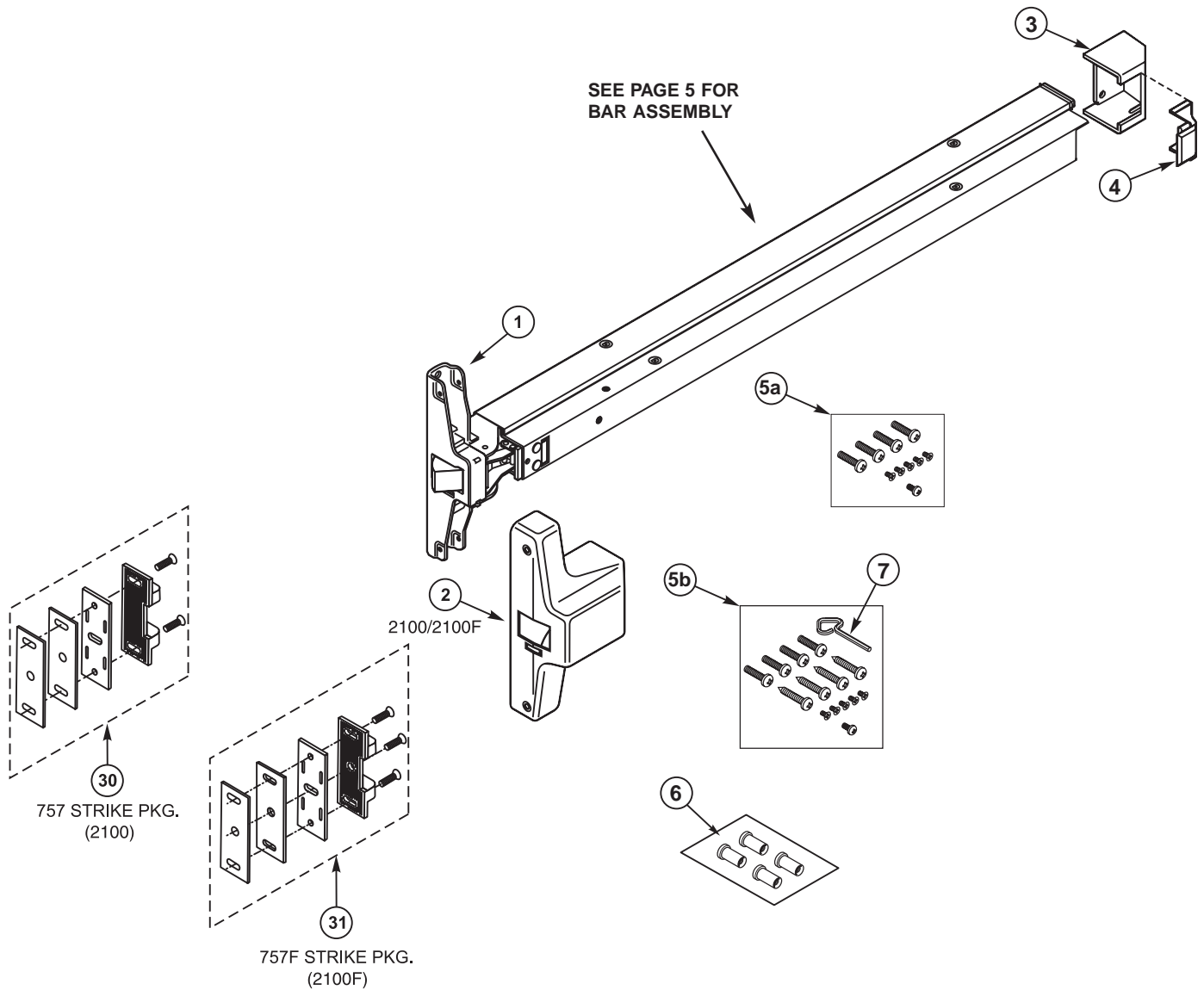
**Left Hand Reverse:** Hinges on left, opens outward. For handed devices, specify LHR.

**Right Hand Reverse:** Hinges on right, opens outward. For handed devices, specify RHR.

**Note:** Doors with Panic-Exit and Fire Exit hardware must open out. Therefore, hands must be reverse bevel.



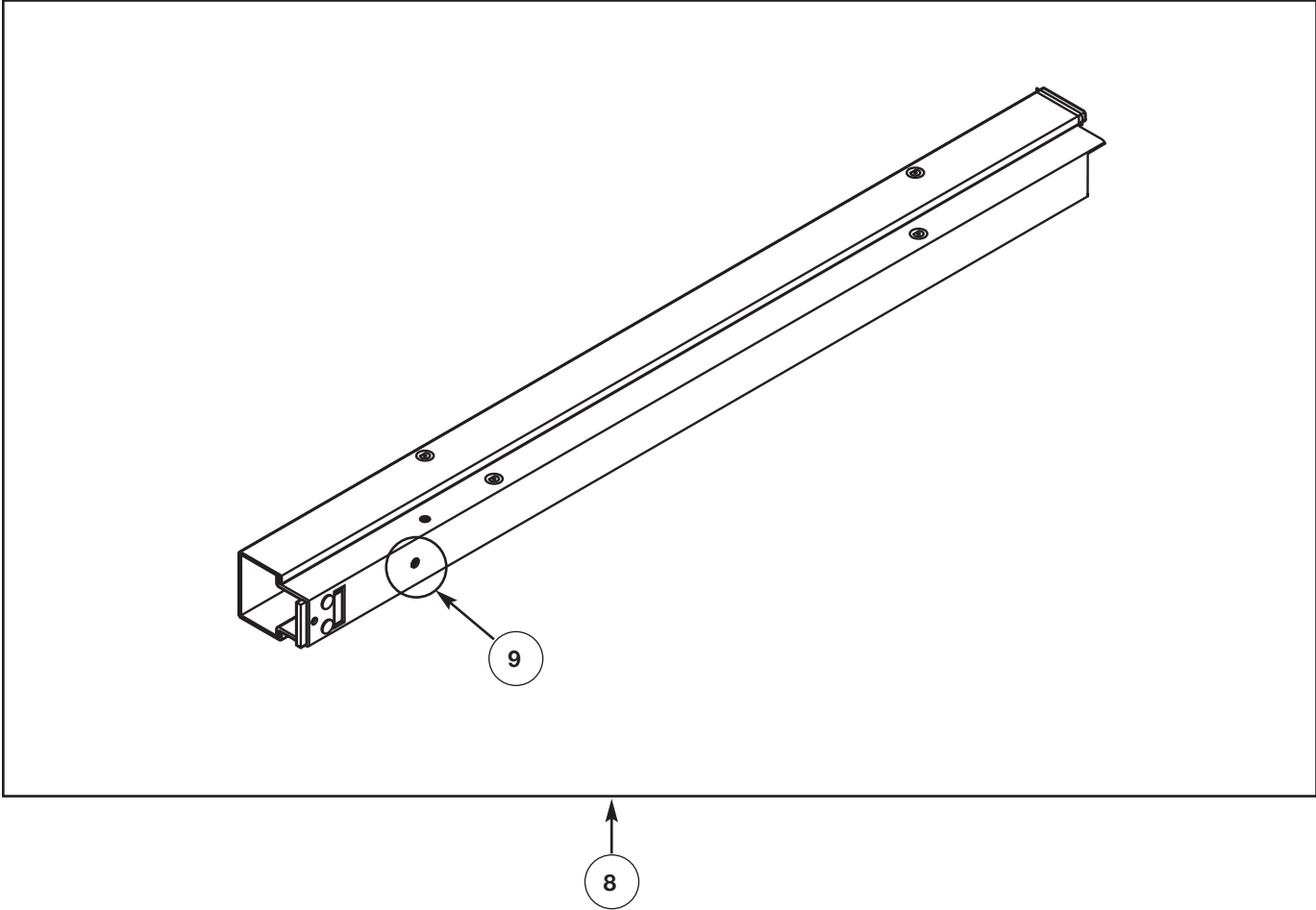
## 2100/2100F RIM EXIT DEVICE



ITEM	PART NO.	DESCRIPTION
1	60-2100-0010-048 60-2100-0011-048	Latch Assembly 2100 2100F
2	60-2100-6003-FIN	Cover 2100
3	60-2000-6179-FIN	Bottom End Cap
4	60-2000-6178-FIN	Top End Cap

ITEM	PART NO.	DESCRIPTION
5a	81-9500-1376-059	Mtg. Screw Pack (2100F)
5b	81-9500-1395-059	Mtg. Screw Pack (2100)
6	03-0080-5047-FIN	Sex Nut Pack (4) (2 Packs) Fire-Rated Only
7	60-7000-1131-036	Dogging Key
30	81-9500-1356-200	757 Strike Packet (2100)
31	81-9500-1373-200	757F Strike Packet (2100F)

## 2100 BAR ASSEMBLY



ITEM	PART NO.	DESCRIPTION
8	60-2100-0014	Dogging Bar Assembly, 36"
8	60-2100-0015	Dogging Bar Assembly, 42"
8	60-2100-0088	Dogging Bar Assembly, 48"
8	60-2100-0008	Fire Rated Bar Assembly, 36"
8	60-2100-0009	Fire Rated Bar Assembly, 42"
8	60-2100-0087	Fire Rated Bar Assembly, 48"

ITEM	PART NO.	DESCRIPTION
9	81-9500-1399-000	Dogging Kit <i>(Consists of the following)</i>
	60-2100-1001-999	Dogging Drive
	99-9999-7330-036	Wavy Washer
	60-2100-1007-048	Bushing
	81-3815-0412-036	Screw, Thread Forming Swage-Form/Trilobular or Equivalent Phillips Truss Head Machine 8-32 x 1/2"

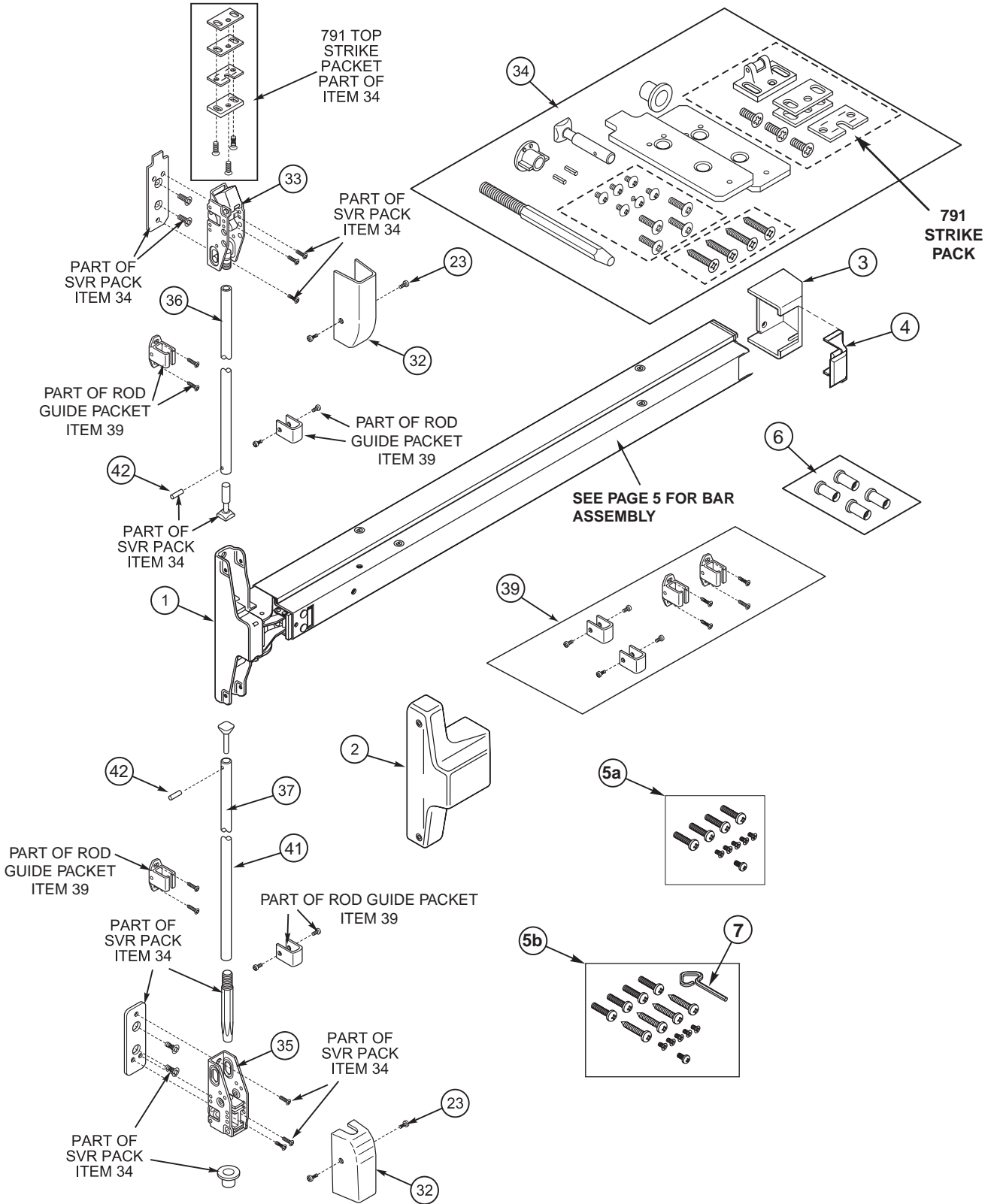


## 2110/2110F SURFACE VERTICAL ROD

ITEM	PART NO.	DESCRIPTION
1	60-2110-0002-048	Latch Assembly 2110, 2110F (Must Specify Hand)
2	60-2110-6004-FIN	Cover 2110
3	60-2000-6179-FIN	Bottom End Cap
4	60-2000-6178-FIN	Top End Cap
5a	81-9500-1376-059	Mtg. Screw Pack (2110F)
5b	81-9500-1395-059	Mtg. Screw Pack (2110)
6	03-0080-5047-FIN	Sex Nut Pack (4) (2 packs) Fire Rated Only
7	60-7000-1131-036	Dogging Key
23	81-9500-1549-FIN	Screw Packet, Cover #8-32 x 5/16" UFPHMS (4)
32	60-7010-X040-FIN	Cover, Top & Bottom Latch
33	60-7010-0049-999 60-7010-0050-999	Top Latch 2110 2110F

ITEM	PART NO.	DESCRIPTION
34	81-9500-1512-000	SVR Pack <i>Consists of the following:</i>
	60-7110-1038-048	Top Mtg. Plate
	60-7010-1039-048	Bottom Mtg. Plate
	60-7010-1067-048	Top Rod Connector
	99-9999-4308-999	Spring Pin (2)
	60-1500-6150-999	Drill Jig
	60-7010-1046-059	Floor Bolt
	60-7010-1055-200	Strike
	81-9500-1546-000	Latch Mounting Screw Packet
	81-3111-0676-048	Latch Mounting Screw (4) (Wood Door Panic)
	81-9500-1454-200	791 Top Strike Packet
35	60-7010-0054-000 60-7010-0053-000	Bottom Bolt Case 2110 2110F
36	60-2110-7006-FIN	Top Rod
37	60-7010-1025-059	Bottom Rod Connector
39	81-9500-1514-FIN	Rod Guide Packet
41	60-2110-7007-FIN	Bottom Rod
42	99-9999-4308-999	Spring Pin

## 2110/2110F SURFACE VERTICAL ROD



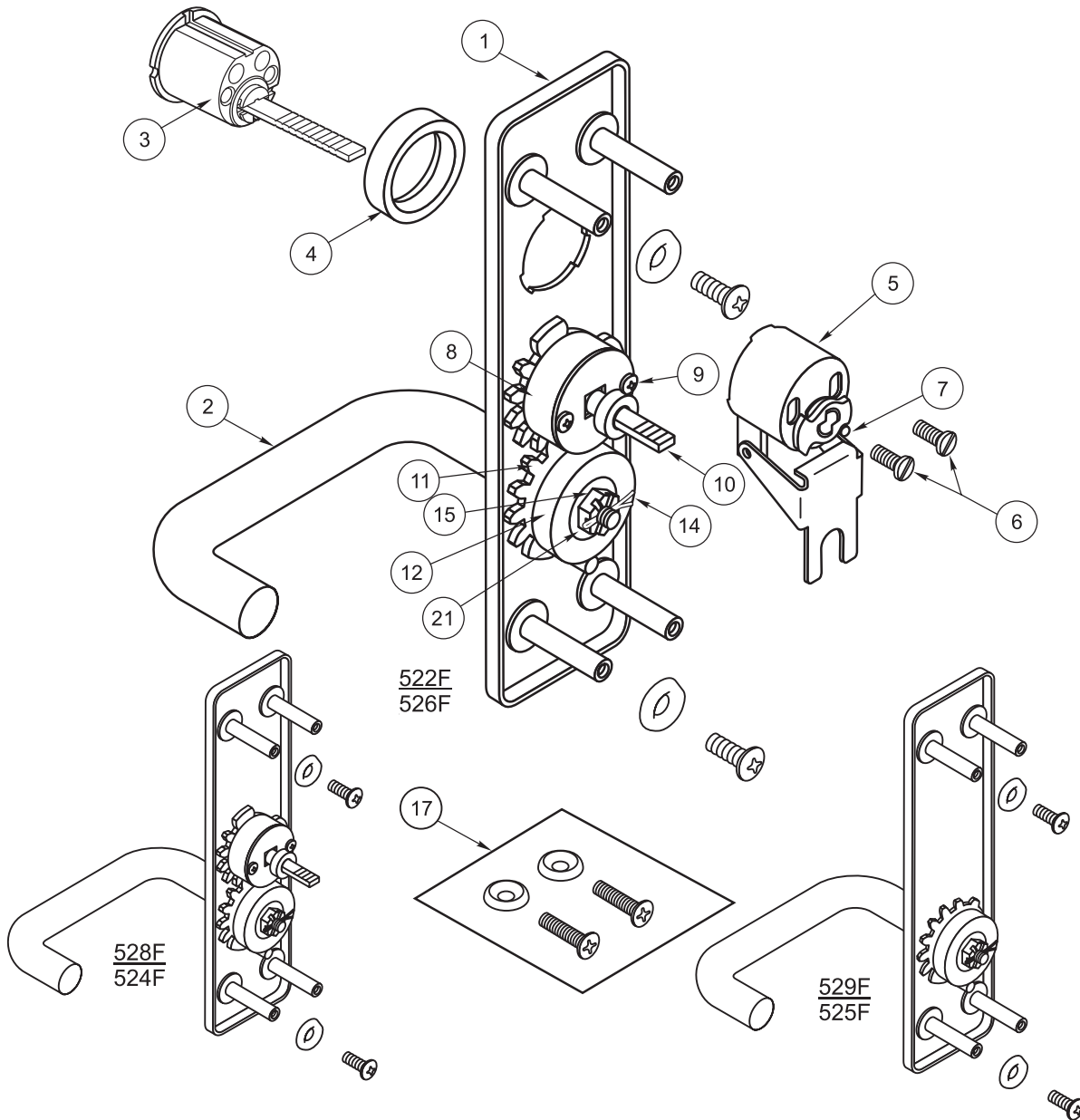
## 522F, 524F, 525F, 526F, 528F, 529F TRIM

ITEM	PART NO.	DESCRIPTION
1	60-7000-0414-FIN 60-7000-0415-FIN	Escutcheon Assembly 522F, 526F 524F, 525F, 528F, 529F
2	See Chart Page 27	Lever/Knob
3	See Chart Page 34	Cylinder, Rim
4	See Chart Page 34	Cylinder Collar
5	60-7000-0215-000	Housing & Cam Assy.
6	60-7000-1235-048	Screw, Cylinder Mounting (2)
7	81-0016-2200-999	Screw, NL Function
8	60-7000-0046-000	Driver Gear Assembly
9	81-4414-0308-036	Screw, Tailpiece Plate, #6 x 3/8", PHT-T-PH (2)
10	60-7000-0216-059 60-7000-0217-059	Tailpiece Assembly 1-3/4" Door Without Shim Kit 2" - 2-1/4" Door or Std. Door with Shim Kit
11	60-7000-1328-048	1 Drive Lever Gear (2 on 525F)
12	60-7000-6217-082	Hub, Lever
14	99-9958-0047-999	Cotter Pin

ITEM	PART NO.	DESCRIPTION
15	99-9999-3516-999	Nut, Spindle
16	60-7000-9001-999	Thimble Insert, Nylon (Levers) <i>Not Shown</i>
17	81-9500-1476-FIN 81-0013-0670-FIN 99-9999-7156-FIN	Screw Packet, Mtg. <i>Consists of the following:</i> Screw, 1/4-20 x 1 OPHMS (2) Washer, #14 Finish (2)
18	60-7000-1224-999 60-7000-1225-999 60-7000-1234-999	Spring, Grip Return (not shown) Levers, RHR (blue) Levers, LHR (red) Knob
19	60-7000-1306-999	Spring (not shown) Under Tailpiece
20	60-7000-1305-059	Hex Nut / Bushing for Spring (not shown)
21	60-7000-1236-059	Washer Under Slotted Hex Nut and Tailpiece
49	60-7000-X055-FIN	Thimble (not shown) Levers & Knobs



## 522F, 524F, 525F, 526F, 528F, 529F TRIM



Dummy Rigid Lever	(Passage) Active Lever or Dummy Free Wheeling Lever	Cylinder Controls Lever	Access by Key and Lever	Dummy Rigid Knob	(Passage) Active Knob	Cylinder Controls Knob	Access by Key and Knob
F02	F02	F08	F09	F02	F14	F08	F09
529F	528F	526F	526F	525F	524F	522F	522F

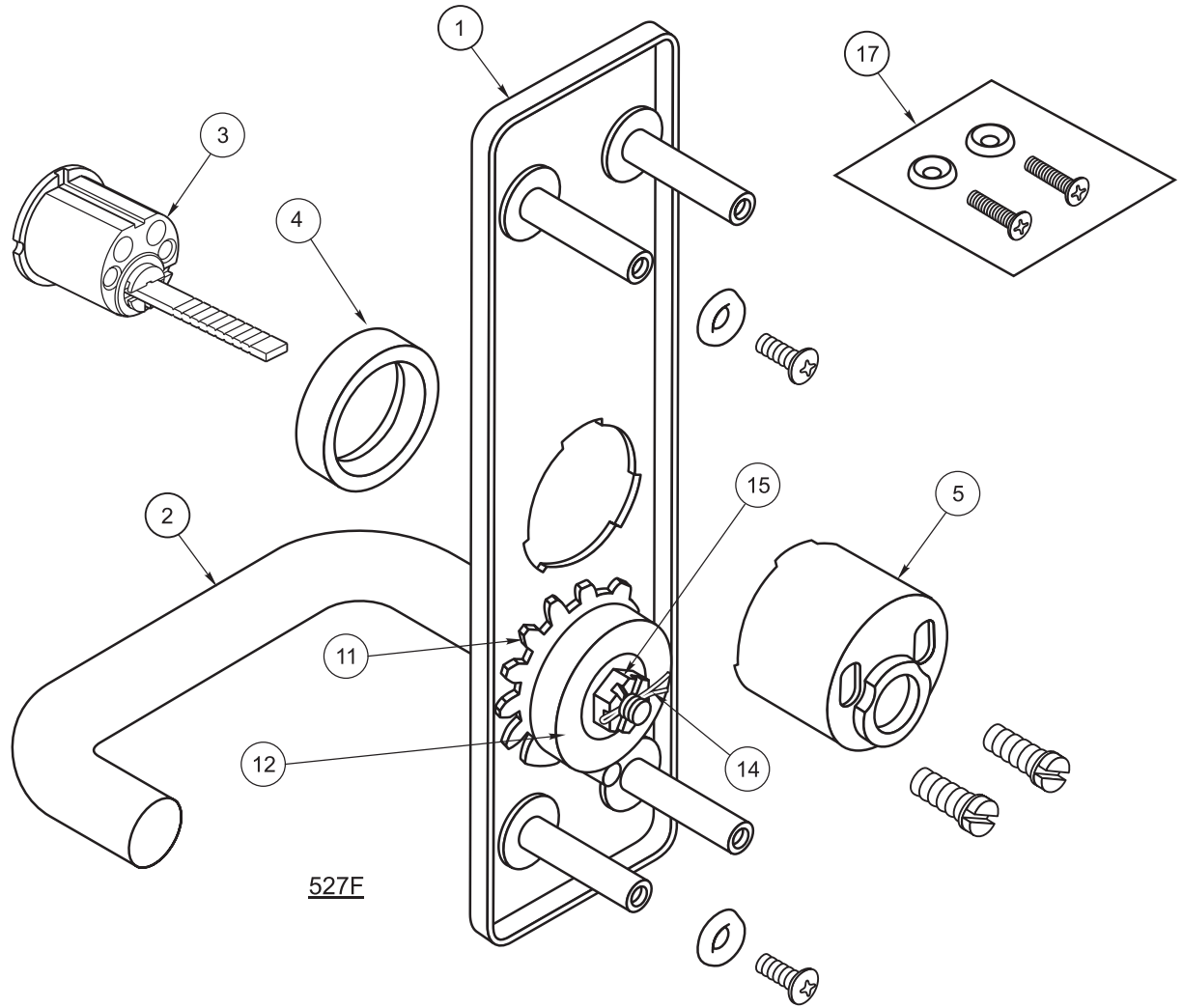




# 523F, 527F TRIM

ITEM	PART NO.	DESCRIPTION
1	60-7000-0526-FIN	Escutcheon Assembly
2	See Chart Page 27	Lever/Knob
3	See Chart Page 34	Cylinder, Rim
4	See Chart Page 34	Collar, Rim Cylinder
5	60-2000-6206-082	Housing, Cylinder
11	60-7000-1011-059	Gear, Drive
12	60-7000-6217-082	Hub, Lever

ITEM	PART NO.	DESCRIPTION
14	99-9958-0047-999	Cotter Pin
15	99-9999-3516-999	Nut, Spindle
17	81-9500-1476-FIN	Screw Packet, Mtg.
	81-0013-0670-FIN	Consists of the following: Screw, 1/4-20 x 1
	99-9999-7156-FIN	OPHMS (2) Washer, #14 Finish (2)

## 523F, 527F TRIM



	
<b>Nightlatch Access by Key</b>	<b>Nightlatch Access by Key</b>
F03	F03
527F	523F

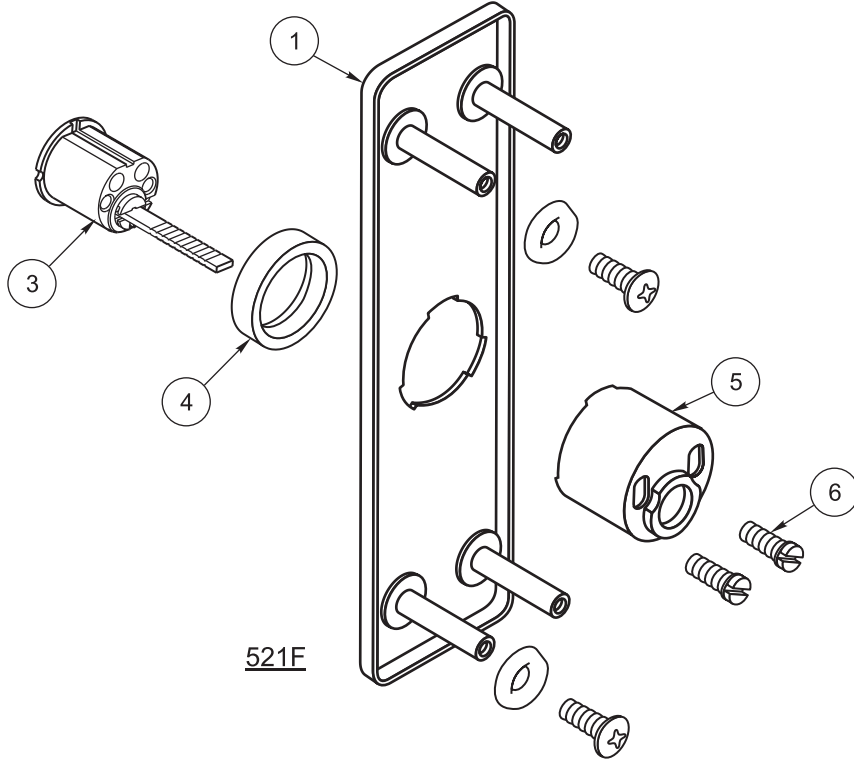


## 520F, 521F TRIM

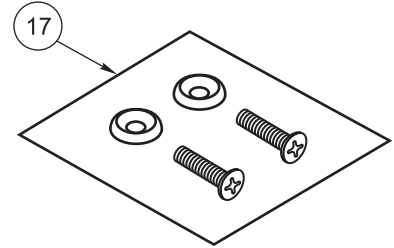
ITEM	PART NO.	DESCRIPTION
1	60-7000-0142-FIN	Escutcheon Assembly 520F
	60-7000-0146-FIN (Brass)	521F
	60-7000-0147-FIN (Bronze)	521F
	60-7000-0148-FIN (Stainless Steel)	521F
3	<i>See Chart Page 34</i>	Cylinder
4	<i>See Chart Page 34</i>	Collar, Mortise

ITEM	PART NO.	DESCRIPTION
5	60-2000-6206-082	Housing, Cylinder 521F
6	60-7000-1235-048	Screw, Cylinder 521F Mounting (2)
17	81-9500-1476-FIN	Screw Packet, Mtg. <i>Consists of the following:</i>
	81-0013-0670-FIN	Screw, 1/4-20 x 1 OPHMS (2)
	99-9999-7156-FIN	Washer, #14 Finish (2)

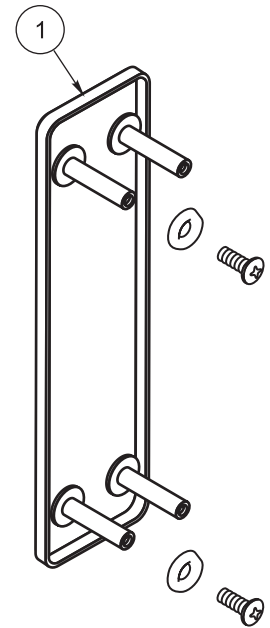
## 520F, 521F TRIM



521F



520F



(EO) Blank Plate	(NIL) Access by Key
F01	F03
520F	521F

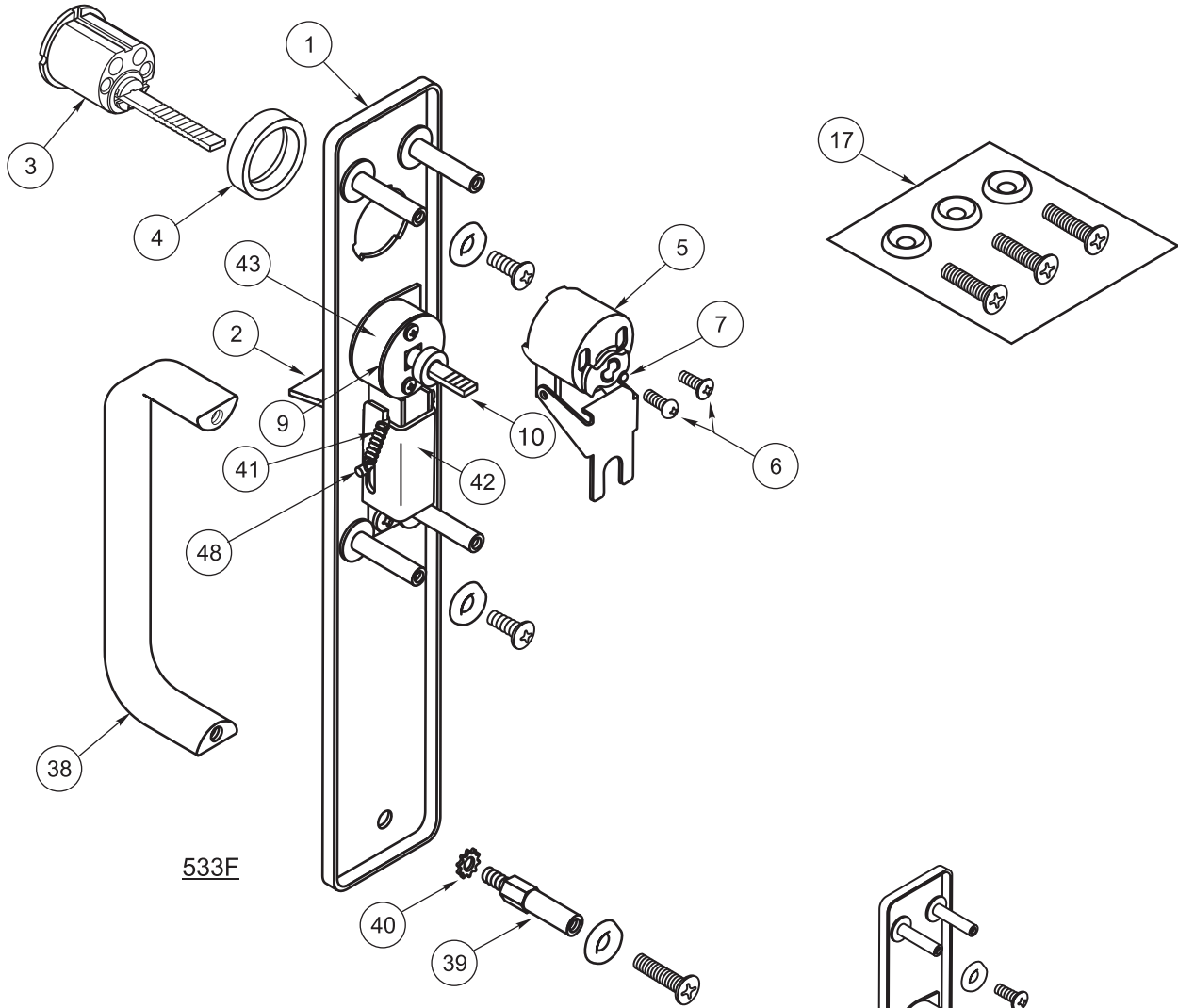


## 533F, 535F TRIM

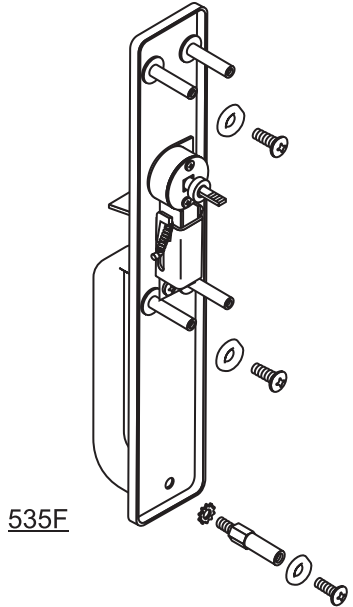
ITEM	PART NO.	DESCRIPTION
1		Escutcheon Assembly
	60-7000-0222-FIN (Brass)	535F
	60-7000-0223-FIN (Bronze)	535F
	60-7000-0224-FIN (Stainless Steel)	535F
	60-7000-0413-FIN	533F
2	60-7000-X192-FIN	Thumbpiece
3	See Chart Page 34	Cylinder, Rim
4	See Chart Page 34	Collar, Rim Cylinder
5	60-7000-0215-000	Housing & Cam Assembly
6	60-7000-1235-048	Screw, Cylinder Mounting (2)
7	81-0016-2200-999	Screw, NL Function
9	81-4414-0308-036	Screw, Tailpiece Plate, #6 x 3/8 PHT-T-PH (2)
10	60-7000-0212-059	Tailpiece Assembly

ITEM	PART NO.	DESCRIPTION
17	81-9500-1476-FIN	Screw Packet, Mtg.
	81-0013-0670-FIN	Consists of the following: Screw, 1/4-20 x 1 OPHMS (3)
	99-9999-7156-FIN	Washer, #14 Finish (3)
19	60-7000-1306-999	Spring (Not Shown) Under Tailpiece
20	60-7000-1305-059	Hex Nut/Bushing for Spring (Not Shown)
38	60-0010-2639-FIN	Pull, Straight
39	60-7000-1039-048	Screw Post
40	99-9999-7154-036	Lock Washer, Screw Post
41	99-9999-5697-999	Spring, Thumbpiece
42	60-7000-1190-059	Slider, Thumbpiece
43	60-7000-0214-000	Housing, Tailpiece Assy.
48	60-7000-1045-059	Pin, Thumbpiece

## 533F, 535F TRIM



533F



535F

<b>(Passage) Active T-Piece</b>	<b>Cylinder Controls T-Piece</b>	<b>Access by Key and T-Piece</b>
<b>F15</b>	<b>F05</b>	<b>F06</b>
535F	533F	533F



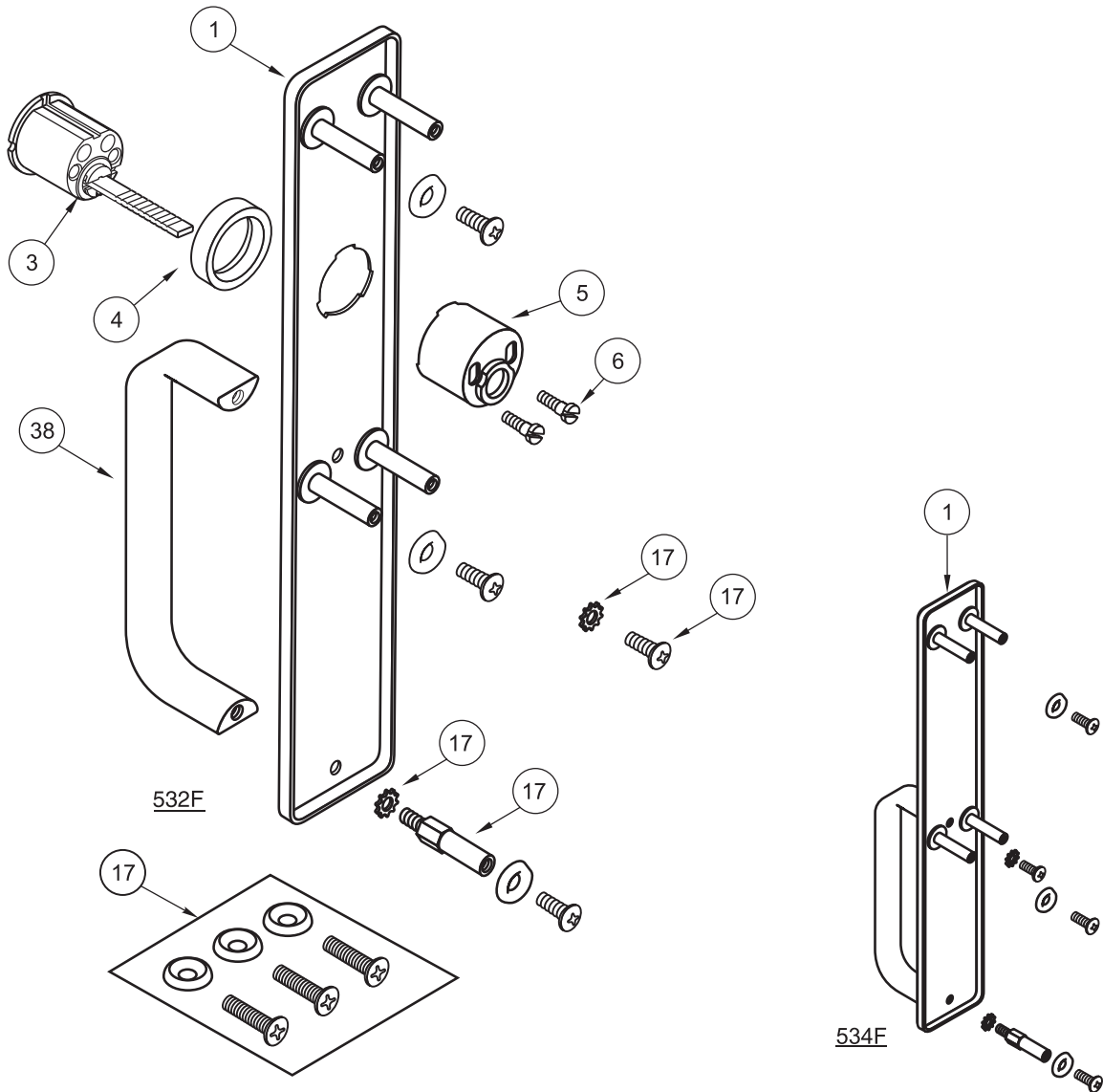
## 532F, 534F TRIM

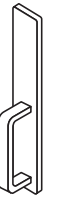

ITEM	PART NO.	DESCRIPTION
1	60-7000-0047-FIN (Brass)	Escutcheon Assembly 532F
	60-7000-0048-FIN (Bronze)	532F
	60-7000-0049-FIN (Stainless Steel)	532F
	60-7000-0050-FIN (Brass)	534F
	60-7000-0051-FIN (Bronze)	534F
	60-7000-0052-FIN (Stainless Steel)	534F

ITEM	PART NO.	DESCRIPTION
3	<i>See Chart Page 34</i>	Cylinder, Mortise or Rim
4	<i>See Chart Page 34</i>	Collar, Cylinder
5	60-2000-6206-082	Housing, Cylinder
6	60-7000-1235-048	Screw, Cylinder Mtg. (2)
17	81-9500-1466-FIN	Screw Packet, Mtg. <i>Consists of the following:</i>
	60-7000-1039-048	Threaded Post (1)
	81-0010-0664-FIN	1/4-20 x5/8" (1) RHPMS
	81-0013-0670-FIN	1/4-20 x1" (3) OHPMS
	99-9999-7154-FIN	Lockwasher (2)
	99-9999-7156-FIN	Washer #14 Finish (3)
38	60-0010-2639-FIN	Pull, Straight



## 532F, 534F TRIM



	
<b>Dummy Full Plate</b>	<b>Nightlatch Cylinder by Pull</b>
<b>F02</b>	<b>F03</b>
534F	532F

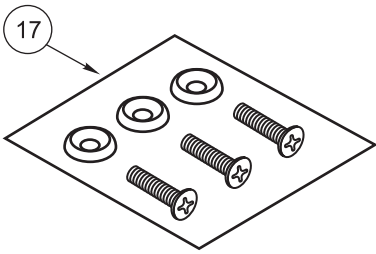
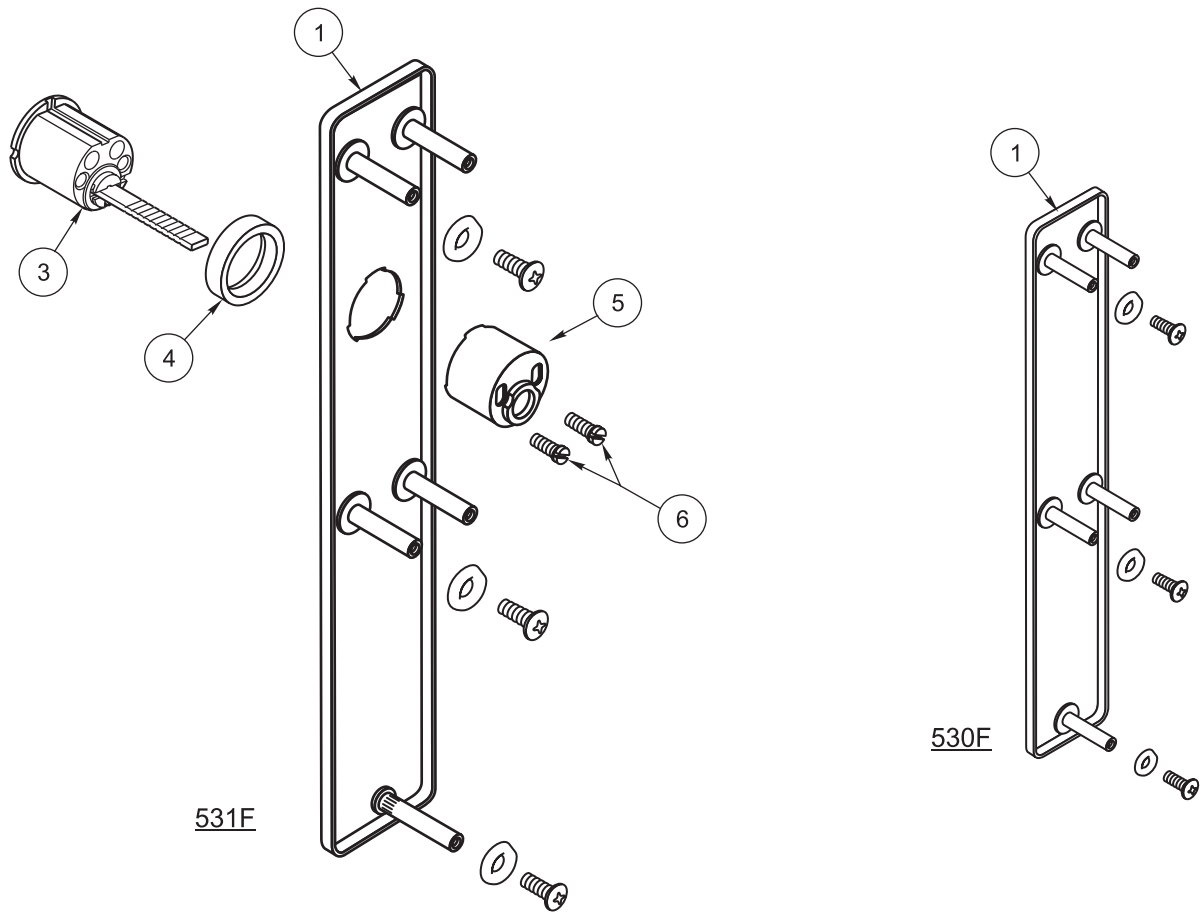




# 530F, 531F TRIM

ITEM	PART NO.	DESCRIPTION
1		Escutcheon Assembly
	60-7000-0161-FIN (Brass)	531F
	60-7000-0162-FIN (Bronze)	531F
	60-7003-0163-FIN (Stainless Steel)	531F
	60-7000-0143-FIN	530F
3	See Chart Page 34	Cylinder, Mortise or Rim

ITEM	PART NO.	DESCRIPTION
4	See Chart Page 34	Collar, Cylinder
5	60-2000-6206-082	Housing, Cylinder
6	60-7000-1235-048	Screw, Cylinder Mtg. (2)
17	81-9500-1405-FIN	Screw Packet, Mtg. <i>Consists of the following:</i>
	81-0013-0670-FIN	Screw, 1/4-20 x 1 OPHMS (3)
	99-9999-7156-FIN	Washer, #14 Finish (3)

## 530F, 531F TRIM



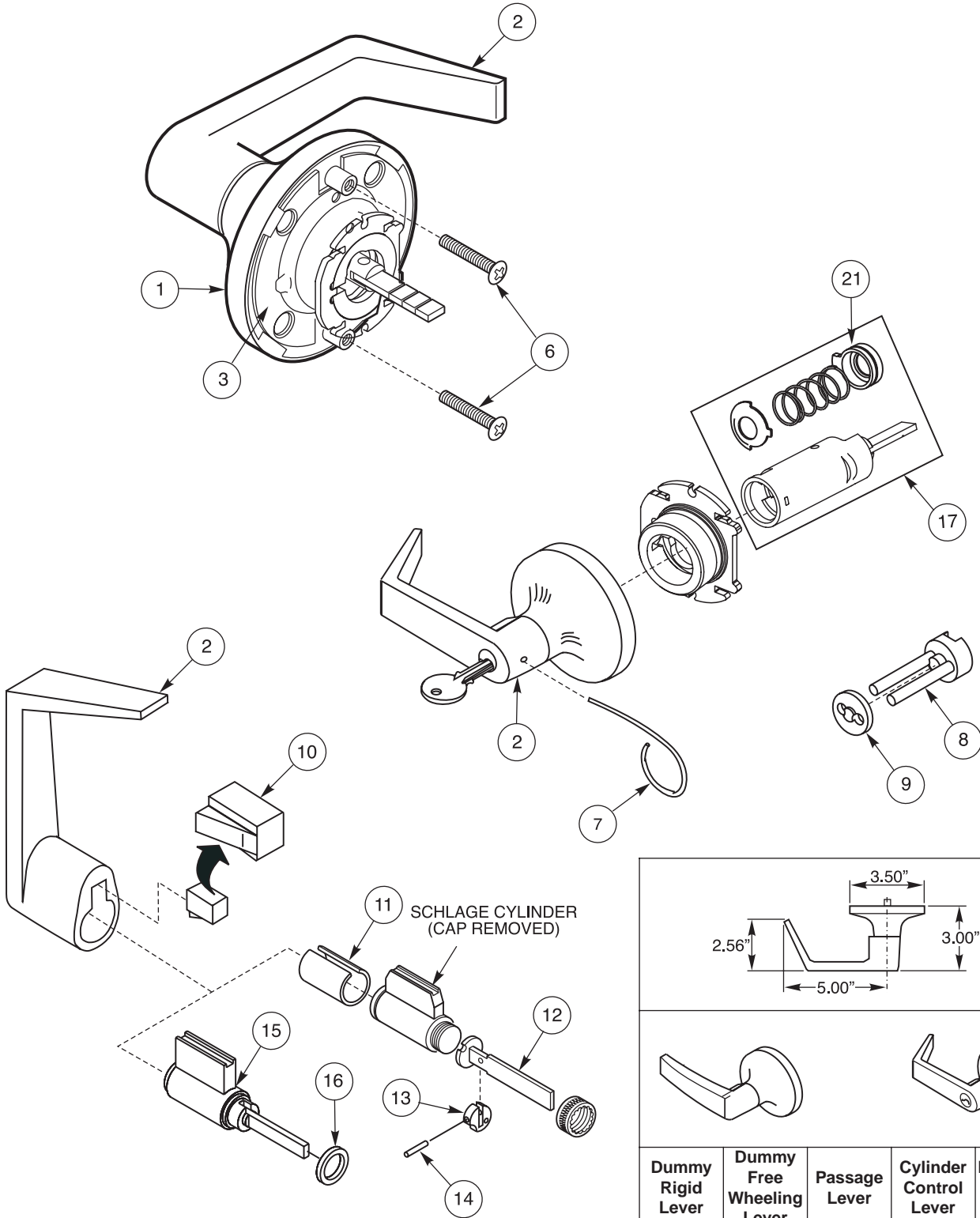
	
<b>Dummy Blank Plate</b>	<b>Nightlatch Access by Key</b>
<b>F01</b>	<b>F03</b>
530F	531F

## 541F, 546F, 548F, 549F TRIM

ITEM	PART NO.	DESCRIPTION
1	14-5401-2711-FIN	Rose Scalp
2		Lever
		Plain
	14-5401-6640-FIN	AU - Augusta
	14-5403-6650-FIN	MO - Monroe
	14-5403-6651-FIN	PB - Pacific Beach
		Cylinder
	14-5407-6038-FIN	AU - Augusta
	14-5407-6042-FIN	MO - Monroe
	14-5407-6062-FIN	PB - Pacific Beach
		Yale® I/C (6 Pin)
	14-5407-6021-FIN	AU - Augusta
	14-5407-6045-FIN	MO - Monroe
	14-5407-6065-FIN	PB - Pacific Beach
		Yale® I/C (7 Pin)
	14-5407-6022-FIN	AU - Augusta
	14-5407-6042-FIN	MO - Monroe
	14-5407-6066-FIN	PB - Pacific Beach
		Best®, Arrow®, Falcon® I/C (6 & 7 Pin)
	14-5407-6056-FIN	AU - Augusta
	14-5407-6048-FIN	MO - Monroe
	14-5407-6068-FIN	PB - Pacific Beach
		Corbin Russwin I/C (6)
	14-5407-6080-FIN	AU - Augusta
		Medeco®, ASSA® I/C (6)
	14-5407-6028-FIN	AU - Augusta

ITEM	PART NO.	DESCRIPTION
3	14-5407-0108-FIN	Rose Support Assembly
6	81-0015-0580-036	Screw, 10-32 x 2 PTHMS (2)
7	14-5407-1102-000	Tool, Lever Removal
8	14-5407-0060-000 14-5407-0161-048	Driver & Rod Assembly Yale® Best®, Arrow®, Falcon® I/C (Obsolete)  Schlage®, Medeco®/ASSA®, etc from 5400LN Parts Manual
9	14-5407-2053-000	Spacer (Obsolete)
10	14-5407-9034-999	Pad, Retainer
11	14-5407-1101-048	Sleeve
12	14-5407-0460-048	Bar, Connecting (Schlage)
13	14-5407-1036-048	Cam, Cylinder
14	99-9999-3942-999	Pin, Roll
15	See Chart Page 34	Cylinder
16	14-5407-9201-048	Spacer, Cylinder
17	14-5407-0161 14-5407-0166	Spindle Assembly 546F 541F
21	14-5401-1906-048	Pawl

## 541F, 546F, 548F, 549F TRIM



Dummy Rigid Lever	Dummy Free Wheeling Lever	Passage Lever	Cylinder Control Lever	Nightlatch Access by Key
F02	F02	F14	F08	F03
549F	548F	548F	546F	541F

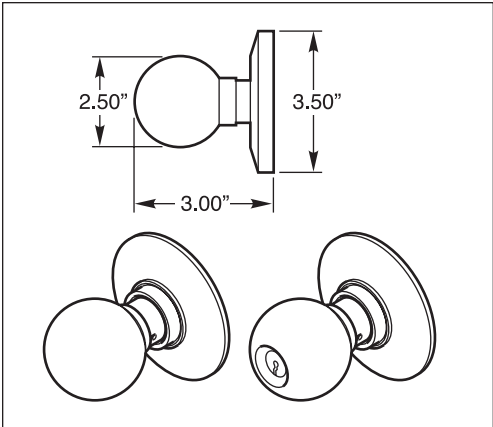
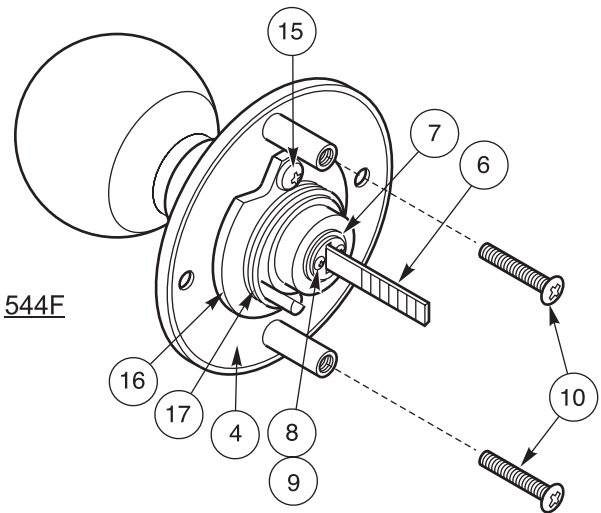
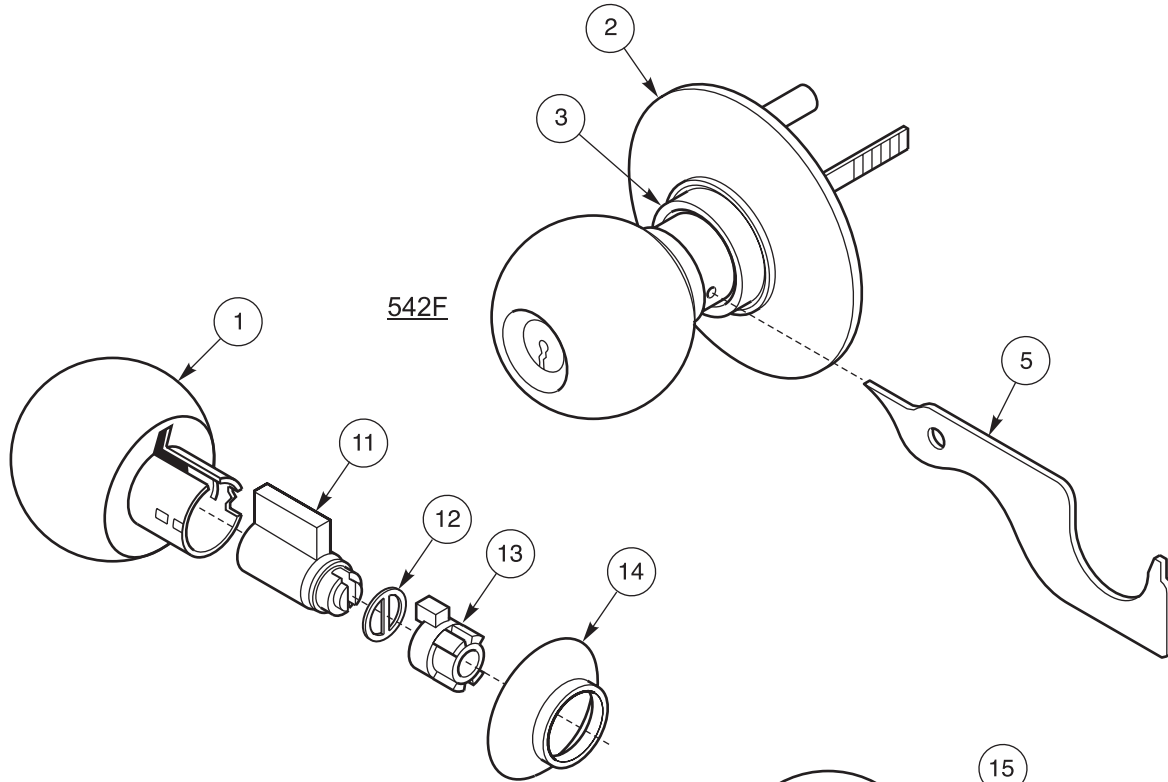


# 542F, 544F TRIM

ITEM	PART NO.	DESCRIPTION
1	60-2000-X079-FIN 14-5301-X638-FIN	Knob, CA 542F 544F
2	14-5401-X077-FIN	Rose
3	14-5755-X004-FIN	Nut, Rose
4	60-2100-0022-080	Plate, Mounting
5	14-5400-0036-048	Tool, Knob Removal
6	34-1147-1003-048	Tailpiece
7	60-2000-1207-059	Retainer
8	81-0610-0154-036	Screw, Locking (2)
9	99-9999-7331-999	Washer, Lock (2)

ITEM	PART NO.	DESCRIPTION
10	81-0015-0576-036	Screw, Mounting (2)
11	<i>See Chart Page 34</i>	Cylinder
12	60-2000-1194-059	Shield
13	60-2000-6192-082	Insert
14	14-5301-X664-FIN	Cap, Trim
15	81-0014-0504-036	Screw, 10-24 x 1/4 PPHMS (2)
16	60-2000-0018-048	Spindle Assembly
17	60-2000-1092-999	Spring

## 542F, 544F TRIM



(DT) Free Wheeling Lever	Passage Knob	Cylinder Control Knob
F02	F14	F08
544F	544F	542F



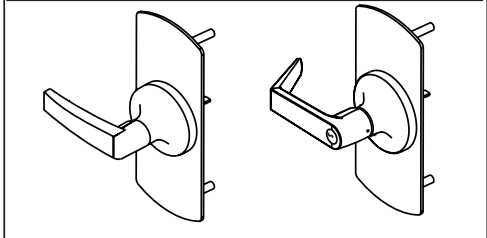
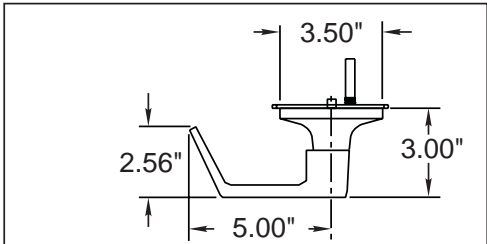
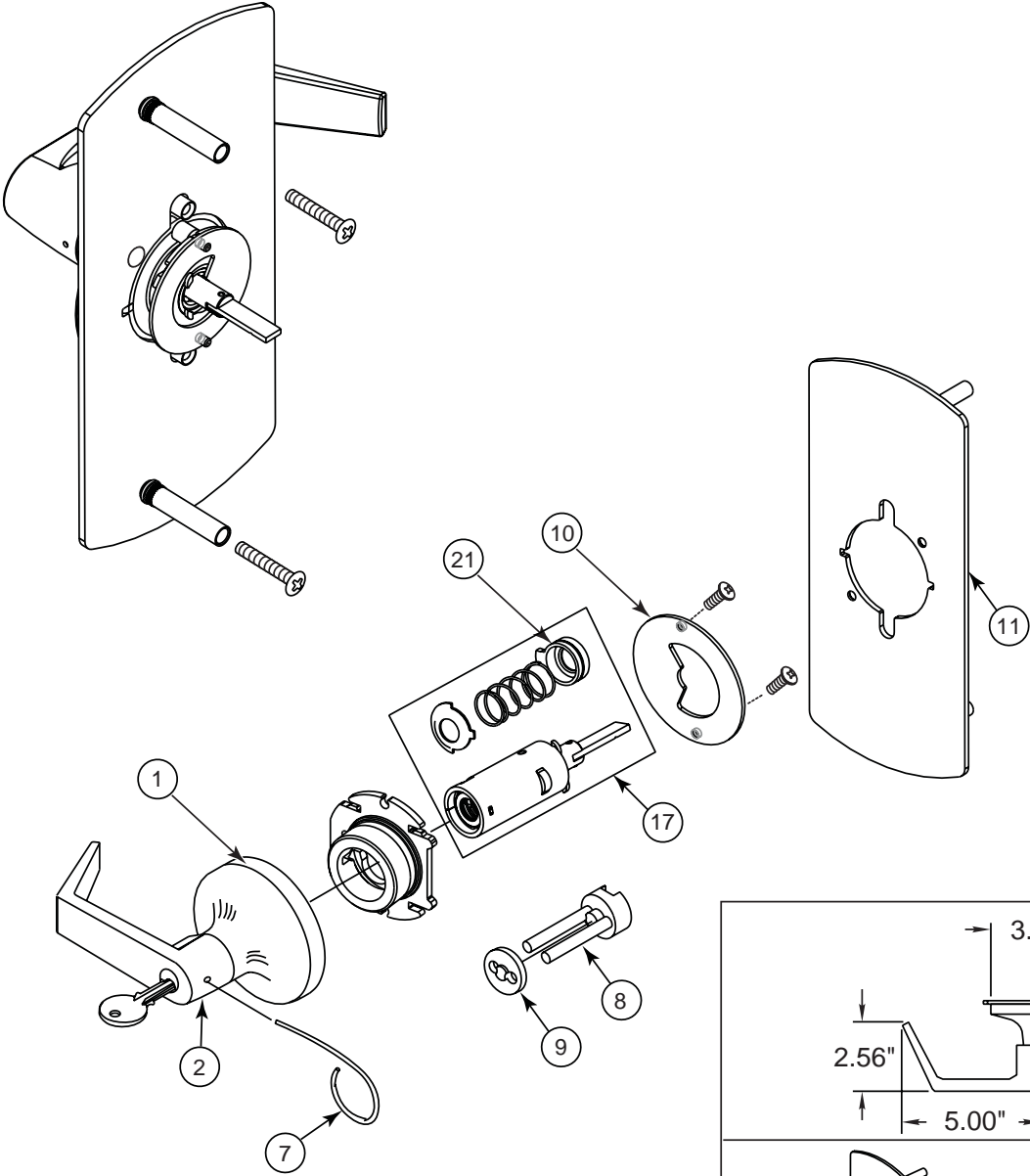
# 581F, 586F, 588F, 589F TRIM

ITEM	PART NO.	DESCRIPTION
1	14-5401-2711-FIN	Rose Scalp
2		Lever
		Plain
	14-5401-6640-FIN	AU - Augusta
	14-5403-6650-FIN	MO - Monroe
	14-5403-6651-FIN	PB - Pacific Beach
		Cylinder
	14-5407-6038-FIN	AU - Augusta
	14-5407-6042-FIN	MO - Monroe
	14-5407-6062-FIN	PB - Pacific Beach
		Yale® I/C (6 Pin)
	14-5407-6021-FIN	AU - Augusta
	14-5407-6045-FIN	MO - Monroe
	14-5407-6065-FIN	PB - Pacific Beach
		Yale® I/C (7 Pin)
	14-5407-6022-FIN	AU - Augusta
	14-5407-6042-FIN	MO - Monroe
	14-5407-6066-FIN	PB - Pacific Beach
		Best®, Arrow®, Falcon® I/C (6 & 7 Pin)
	14-5407-6056-FIN	AU - Augusta
	14-5407-6048-FIN	MO - Monroe
	14-5407-6068-FIN	PB - Pacific Beach
		Corbin Russwin I/C (6)
	14-5407-6080-FIN	AU - Augusta
		Medeco®, ASSA® I/C (6)
	14-5407-6028-FIN	AU - Augusta

ITEM	PART NO.	DESCRIPTION
3	14-5407-0108-FIN	Rose Support Assembly (See Page 21)
7	14-5407-1102-000	Tool, Lever Removal
8	14-5407-0060-000 14-5407-0161-048	Driver & Rod Assembly Yale® Best®, Arrow®, Falcon® I/C (Obsolete) Schlage, Medeco®/ASSA®, etc. from 5400LN Parts Manual
9	14-5407-2053-000	Spacer (Obsolete)
10	60-7000-1546-048	Retainer Plate
11	60-7000-0155-078	Escutcheon
17		Spindle Assembly
	14-5407-0161	586F
	14-5407-0166	581F
21	14-5401-1906-048	Pawl

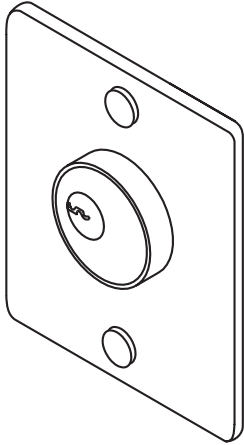


## 581F, 586F, 588F, 589F TRIM

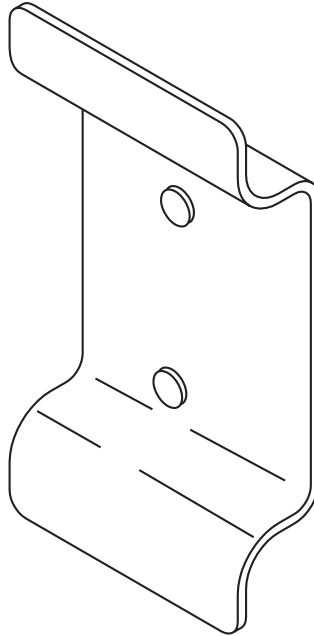


Dummy Rigid Lever	Dummy Free Wheeling Lever	Passage Lever	Cylinder Control Lever	Nightlatch Access by Key
F02	F02	F14	F08	F03
589F	588F	588F	586F	581F

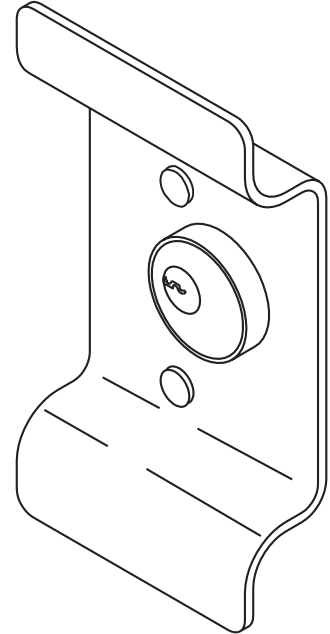
## 210 SERIES TRIM



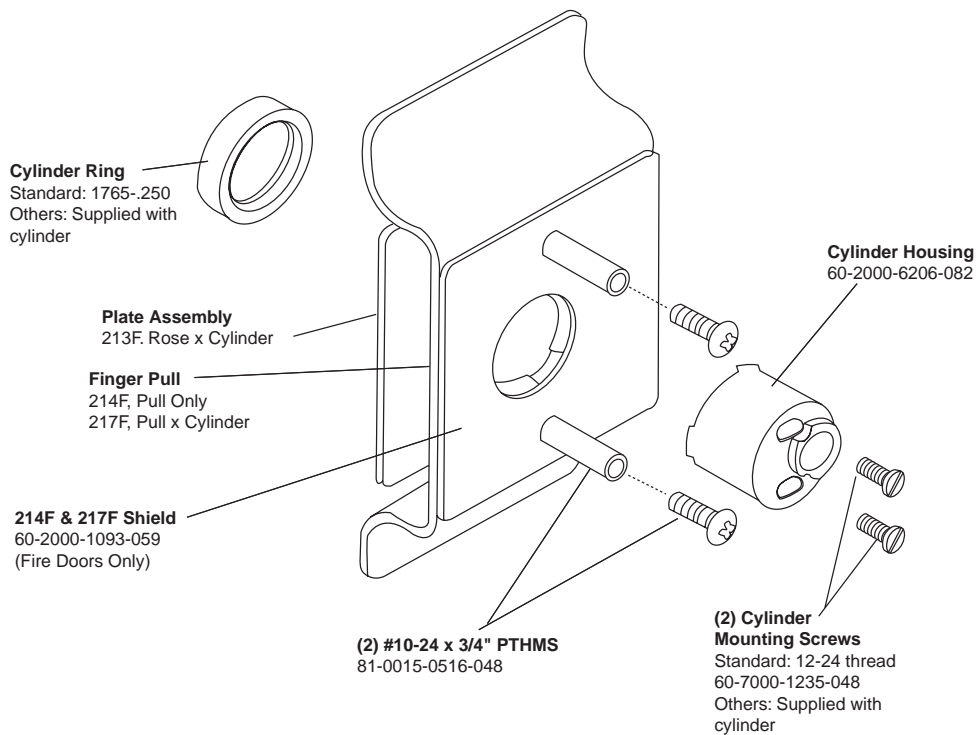
Nightlatch Access by Key  
60-2100-0090-FIN  
**213F**












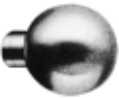

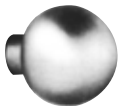
Dummy Trim Pull Plate  
60-2100-0020-FIN  
**214F**



Night Latch Cylinder by Pull  
60-2100-0021-FIN  
**217F**



## LEVERS & KNOBS

<p><b>AR</b></p>  <p><b>Arcadia</b> Projection: 3-1/16" (78mm) Lever assembly: RHR 60-7000-0097-FIN LHR 60-7000-0098-FIN</p>	<p><b>AU</b></p>  <p><b>Augusta</b> Projection: 2-5/16" (59mm) Lever assembly: 60-7000-0095-FIN</p>	<p><b>CR</b></p>  <p><b>Carmel</b> Projection: 2-7/8" (73mm) Lever assembly: 60-7000-0140-FIN</p>	<p><b>JN</b></p>  <p><b>Jefferson</b> Projection: 2-3/8" (60mm) Lever assembly: 60-7000-0093-FIN</p>
<p><b>MO</b></p>  <p><b>Monroe</b> Projection: 2-3/16" (71mm) Lever assembly: 60-7000-0239-FIN</p>	<p><b>PB</b></p>  <p><b>Pacific Beach</b> Projection: 2-3/4" (70mm) Lever assembly: 60-7000-0240-FIN</p>	<p><b>PN</b></p>  <p><b>Pinehurst</b> Projection: 2-7/8" (73mm) Lever assembly: 60-7000-0198-FIN</p>	<p><b>VI</b></p>  <p><b>Virginia</b> Projection: 2-3/4" (70mm) Lever assembly: 60-7000-0236-FIN</p>
<p><b>BR</b></p>  <p><b>Brandywine</b> Projection: 2-11/16" (68mm) Knob assembly: 60-7000-0064-FIN</p>	<p><b>CO</b></p>  <p><b>Copenhagen</b> Projection: 3-1/8" (79mm) Knob assembly: 60-7000-0062-FIN</p>	<p><b>LF</b></p>  <p><b>Litchfield</b> Projection: 2-1/2" (64mm) Knob assembly: 60-7000-0060-FIN</p>	<p><b>CA*</b></p>  <p><b>Carolina</b> Projection: 2-15/16" (75mm) Knob assembly: 542F 60-2000-X079-FIN 544F 14-5301-X638-FIN</p>

**\*Note: CA knob available for 540F series trim only.**

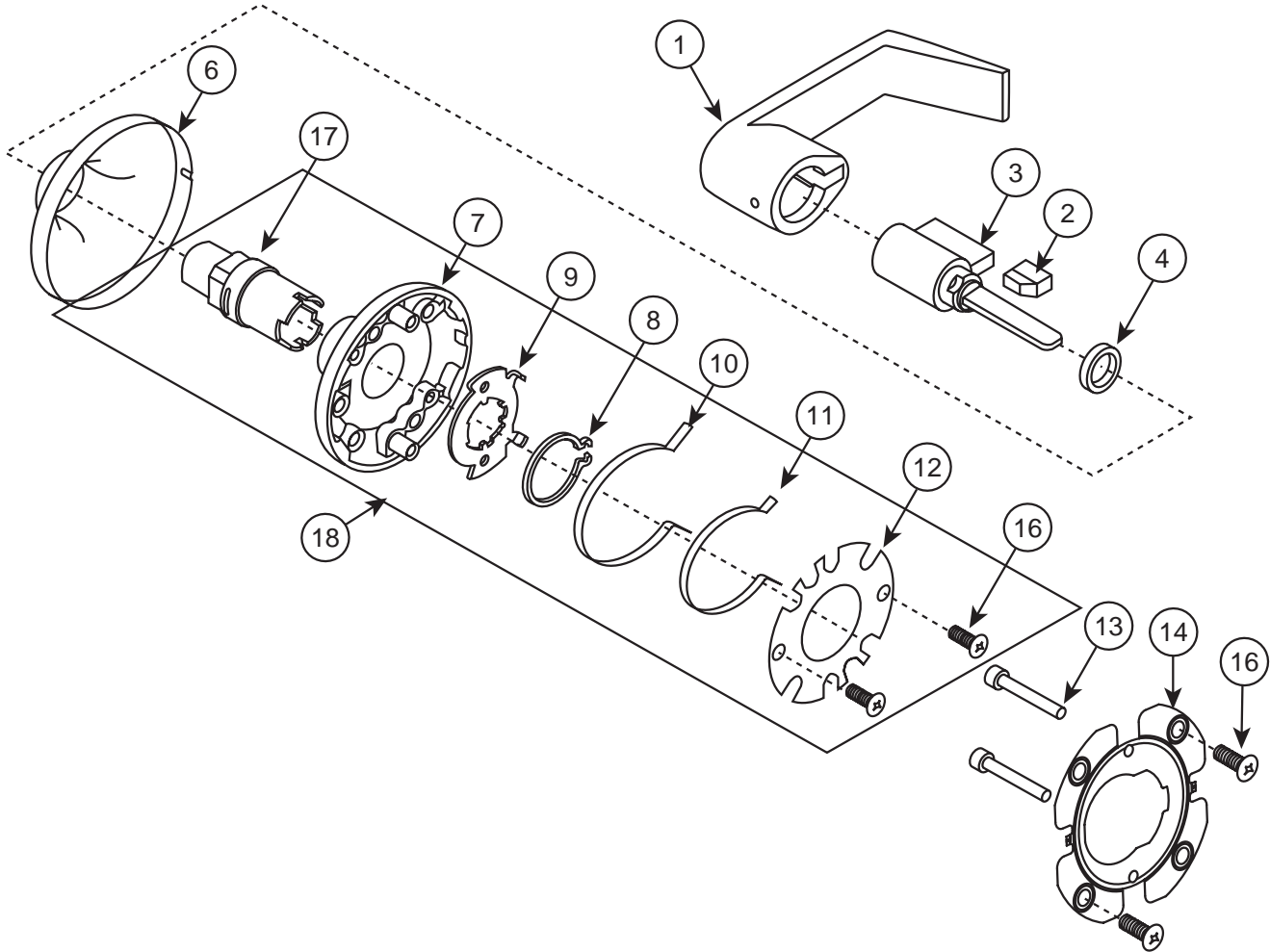
Knob and Lever Handle Assemblies Include:  
Spindle - P/N 60-7000-1243-059  
Roll Pin - P/N 99-9999-3979-023



## OUTSIDE LEVER/ROSE ASSEMBLY

ITEM	PART NO.	DESCRIPTION	QUANTITY
1	See Page 27	Outside Lever Handle	1
2	14-5407-9034-999	Retainer Spring Pad	1
3	1802-FIN-KEYWAY	Cylinder Assembly (Specify finish, see Page 2, and keyway)	1
4	14-5407-9201-999	Cylinder Spacer	1
6	14-5401-2711-FIN	Rose Scalp (Specify finish, see Page 2)	1
7	14-5401-6756-082	Outside Rose Support	1
8	14-5401-1619-000	Snap Ring	1
9	14-5401-1624-048	Stop Plate	1
10	14-5401-1641-999	Lever Spring - Outside	1
11	14-5401-1642-999	Lever Spring - Inside	1
12	14-5401-1757-048	Cover	1
13	14-5401-1410-048	Pin	2
14	14-5401-1623-048	Outside Rose Plate	1
16	81-3811-0406-048	Screw #8-32 x 5/16" PHFH Trilobe	4
17	14-5407-0100-048	Removable Handle Shank/Retainer Assembly	1
18	14-5407-0108-048	Outside Rose/Shank Assembly	1

## OUTSIDE LEVER/ROSE ASSEMBLY

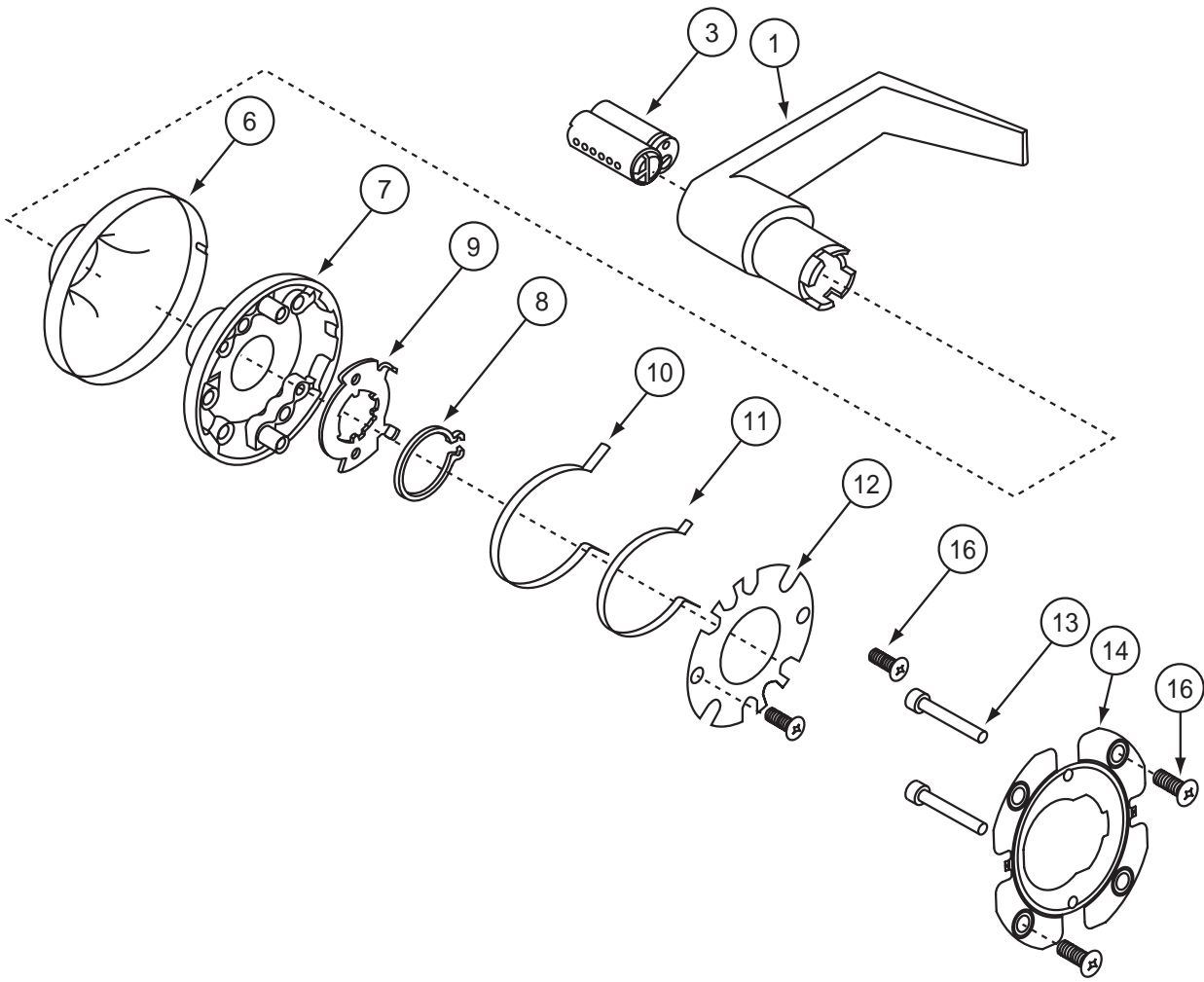




## OUTSIDE LEVER/ROSE ASSEMBLY (INTERCHANGEABLE CORE)

ITEM	PART NO.	DESCRIPTION	QUANTITY
1	<i>See Page 27</i>	Outside Lever Handle	1
3	1210-FIN-KEYWAY	Cylinder Assembly (Specify finish, see Page 2, and keyway)	1
6	14-5401-2711-FIN	Rose Scalp (Specify finish, see Page 2)	1
7	14-5401-6756-082	Outside Rose Support	1
8	14-5401-1619-000	Snap Ring	1
9	14-5401-1624-048	Stop Plate	1
10	14-5401-1641-999	Lever Spring - Outside	1
11	14-5401-1642-999	Lever Spring - Inside	1
12	14-5401-1757-048	Cover	1
13	14-5401-1410-048	Pin	2
14	14-5401-1623-048	Outside Rose Plate	1
16	81-3711-0406-048	Screw #8-32 x 5/16" PHFH Trilobe	4

## OUTSIDE LEVER/ROSE ASSEMBLY (INTERCHANGEABLE CORE)

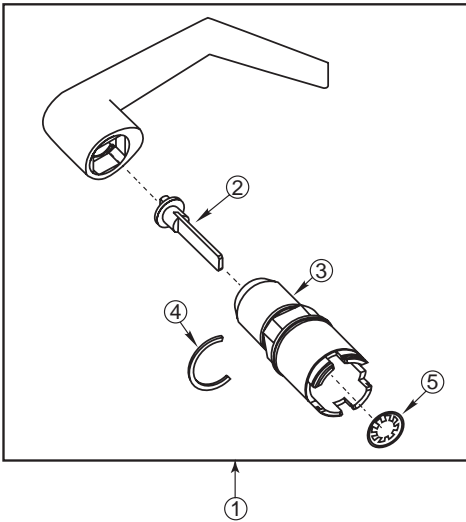


## INTERCHANGEABLE CORE LEVER ASSEMBLIES

### Yale® 6-Pin

ITEM	PART NO.	DESCRIPTION
1	14-5407-0076-FIN*	AU Lever Assembly
	14-5407-0019-FIN*	MO Lever Assembly
	14-5407-0030-FIN*	PB Lever Assembly
2	—	Cam and Connecting Bar Assembly
3	—	Shank
4	—	Retainer Shank
5	—	Retaining Ring

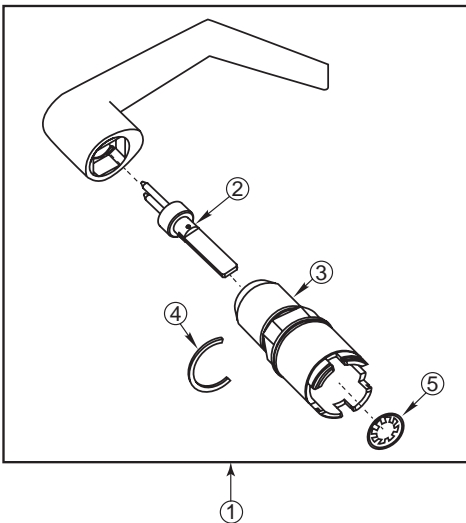
\*Sold as an Assembly only.



### Yale® 7-Pin

ITEM	PART NO.	DESCRIPTION
1	14-5407-0077-FIN*	AU Lever Assembly
	14-5407-0021-FIN*	MO Lever Assembly
	14-5407-0031-FIN*	PB Lever Assembly
2	—	Cam and Connecting Bar Assembly
3	—	Shank
4	—	Retainer Shank
5	—	Retaining Ring

\*Sold as an Assembly only.



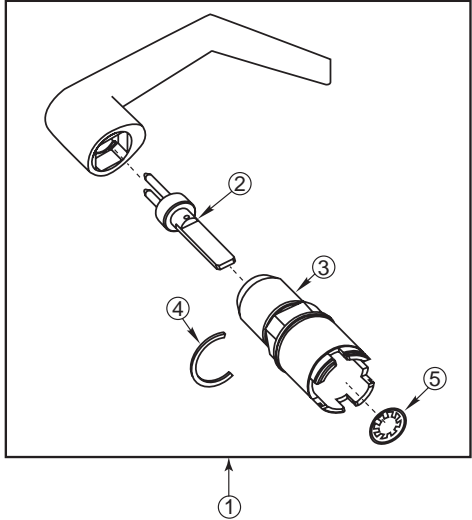
### Corbin Russwin

ITEM	PART NO.	DESCRIPTION
1	14-5407-0141-FIN*	AU Lever Assembly
	14-5407-0906-FIN*	PB Lever Assembly
2	—	Cam and Connecting Bar Assembly
3	—	Shank
4	—	Retainer Shank
5	—	Retaining Ring

\*Sold as an Assembly only.



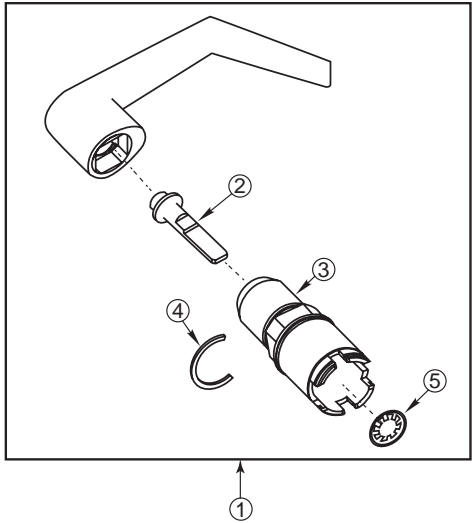
## INTERCHANGEABLE CORE LEVER ASSEMBLIES



### Best®

ITEM	PART NO.	DESCRIPTION
1	14-5407-0040-FIN*	AU Lever Assembly
	14-5407-0041-FIN*	MO Lever Assembly
	14-5407-0042-FIN*	PB Lever Assembly
2	—	Cam and Connecting Bar Assembly
3	—	Shank
4	—	Retainer Shank
5	—	Retaining Ring

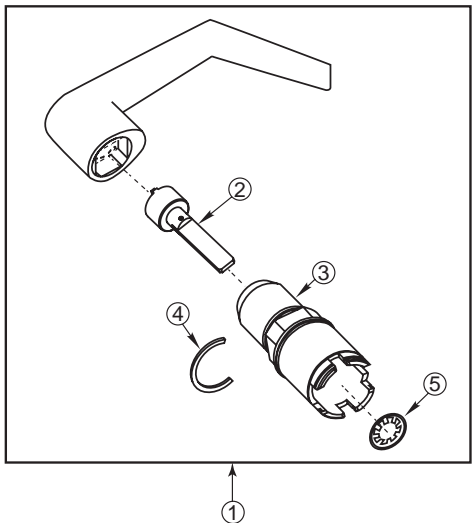
\*Sold as an Assembly only.



### Schlage®

ITEM	PART NO.	DESCRIPTION
1	14-5407-0904-FIN*	AU Lever Assembly
	14-5407-0905-FIN*	PB Lever Assembly
2	—	Connecting Bar
3	—	Shank
4	—	Retainer Shank
5	—	Retaining Ring

\*Sold as an Assembly only.

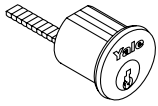


### Medeco®, ASSA®

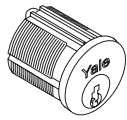
ITEM	PART NO.	DESCRIPTION
1	14-5407-0078-FIN*	AU Lever Assembly
2	—	Connecting Bar
3	—	Shank
4	—	Retainer Shank
5	—	Retaining Ring

\*Sold as an Assembly only.

## CYLINDERS

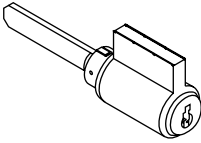
Rim Cylinder	Standard Escutcheon Trim 520F/530F Series Rim Cylinders		Application	Cylinder(s)	Description	Cylinder Collar	Mounting Screws
			2100/2100F Rim 2110/2110F SVR	1109 / 5109 6-pin	Standard / Security	1765-.250	60-7000-1235-048
				U5109 6-pin	High Security	-----	60-7000-1235-048
				1109 / 5109 7-pin	Standard / Security	1765-.250	60-7000-1235-048
				U5109 7-pin	High Security	1766	60-7000-1235-048
				1709 6-pin	CMK Cylinder	1765-.656	34-2311-8738-048
				1709 7-pin	CMK Cylinder	1765-.656	34-2311-8738-048
				1193 / 5193 6-pin	Std. / Sec. I.C.	1765-.469	10-1193-1018-048
				1193 / 5193 7-pin	Std. / Sec. I.C.	1765-.656	10-1191-1018-048

Note: Mounting screw part numbers shown are the screws to mount the cylinder.

Mortise Cylinder	Keyed Removable Mullions KRM100/100F		Application	Cylinder(s)	Description	Cylinder Collar
			2100/2100F Rim	2153/5153*, 6 or 7-pin, 1-1/8" (29mm)	Standard / Security	-----
				2196 / 5196 6-pin	Std. I.C. / Sec. I.C.	1765-.250
				2197 / 5197 7-pin	Std. I.C. / Sec. I.C.	1765-.250
	Alarm Kit	2100/2100F Rim 2110/2110F SVR	2197, 7-pin 1-11/16" (42mm)	Std. I.C. 7-pin	1765 - .594	

As with exit device trim you must order a cylinder to go with a keyed removable mullion. The Yale® keyed removable mullion accepts a standard 6-pin 2153 mortise cylinder with cam #2160. Other cylinders are optional.

\*U5153 6 and 7-pin cylinders cannot be used with a keyed removable mullion.

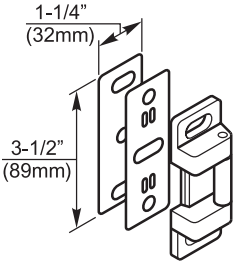
Knob or Leverset Trim 540F/580F Series Trim Keyed trim uses Yale® cylindrical lock cylinders.		Application	Cylinder(s)	Description
		2100/2100F Rim 2110/2110F SVR	1801	6-pin Knob Cyl. (Std.)
			1802	6-pin Lever Cyl. (Std.)
			1802A	7-pin Lever Cylinder
			1210	6-pin I.C. Lever Cylinder
			1220	7-pin I.C. Lever Cylinder
			5802	6-pin Security Lever Cyl.
			5802A	7-pin Security Lever Cyl.
			5210	6-pin I.C. Security Cyl.
			5220	7-pin I.C. Security Cyl.
			107S	Adaptor kit for Schlage® Cyl.
			"B" Trim Prefix	Trim with lever for Best®, Arrow® or Falcon® IC cylinder (specify 6 or 7-pin)
			"R" Trim Prefix*	Trim with lever for Corbin Russwin IC cylinder

\*AU & PB levers only.

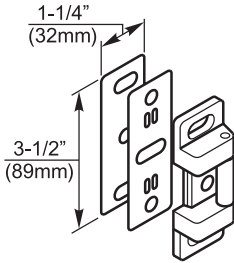
Yale®  
**KeyMark**® Refer to separate catalog section for availability.

## STRIKES

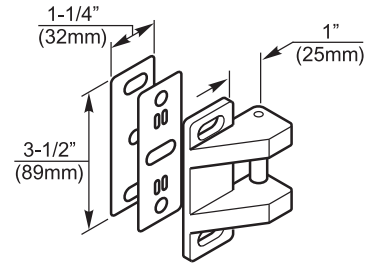
### Rim Devices



**757**  
Standard  
on 2100

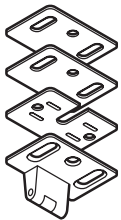


**757F**  
Standard  
on 2100F



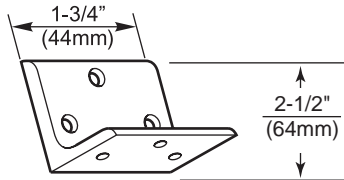
**793**  
Optional strike for double door  
applications without a mullion  
on 2100

### Vertical Rod Devices

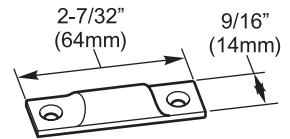


1-9/16" x 15/16"  
(40mm x 24mm)

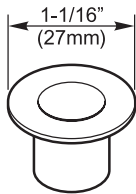
**791**  
Standard  
Top Strike  
on 2110, 2110F



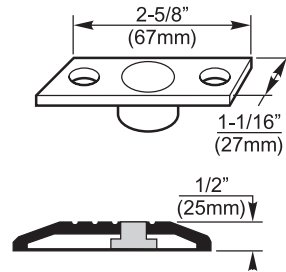
**797**  
Bracket for SVR Top Strike  
in Flush Transom Opening  
on 2110F



**702**  
Floor Strike for optional  
bottom Pullman Latch



**790**  
Standard Bottom Strike  
on 2110, 2110F

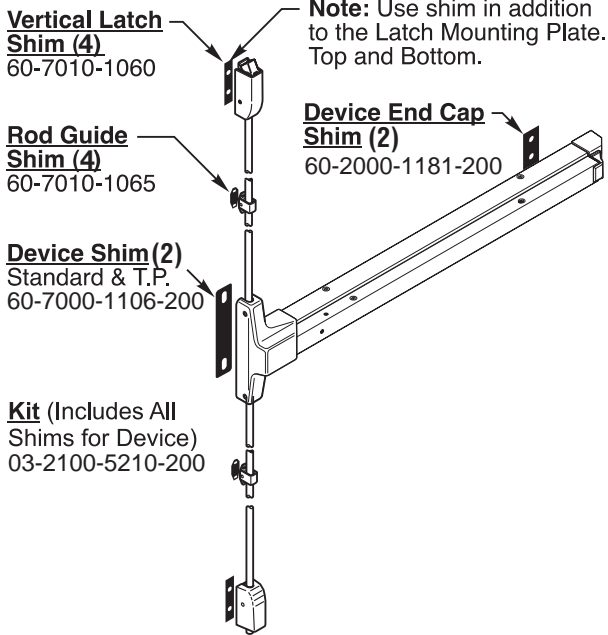


**794**  
Optional Floor Strike for fire openings  
using saddle threshold, or flush floor  
mount. Must use for fire openings  
with thresholds.

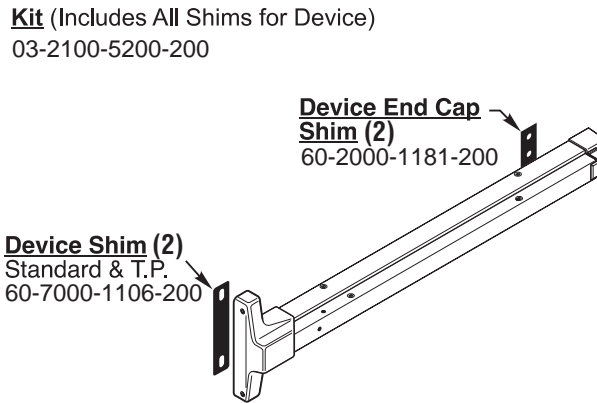
## ACCESSORIES

### Shim Kits

**224**  
For 2110/2110F Surface Vertical Rod Exit Device

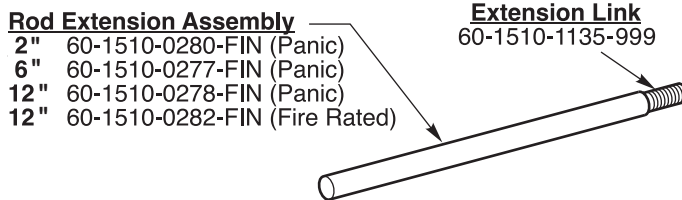


**223**  
For 2110/2110F Rim Exit Device



### Surface Vertical Rod Extension Kits

Used to extend the height of standard length rods for 2100/2110F Series exit devices.

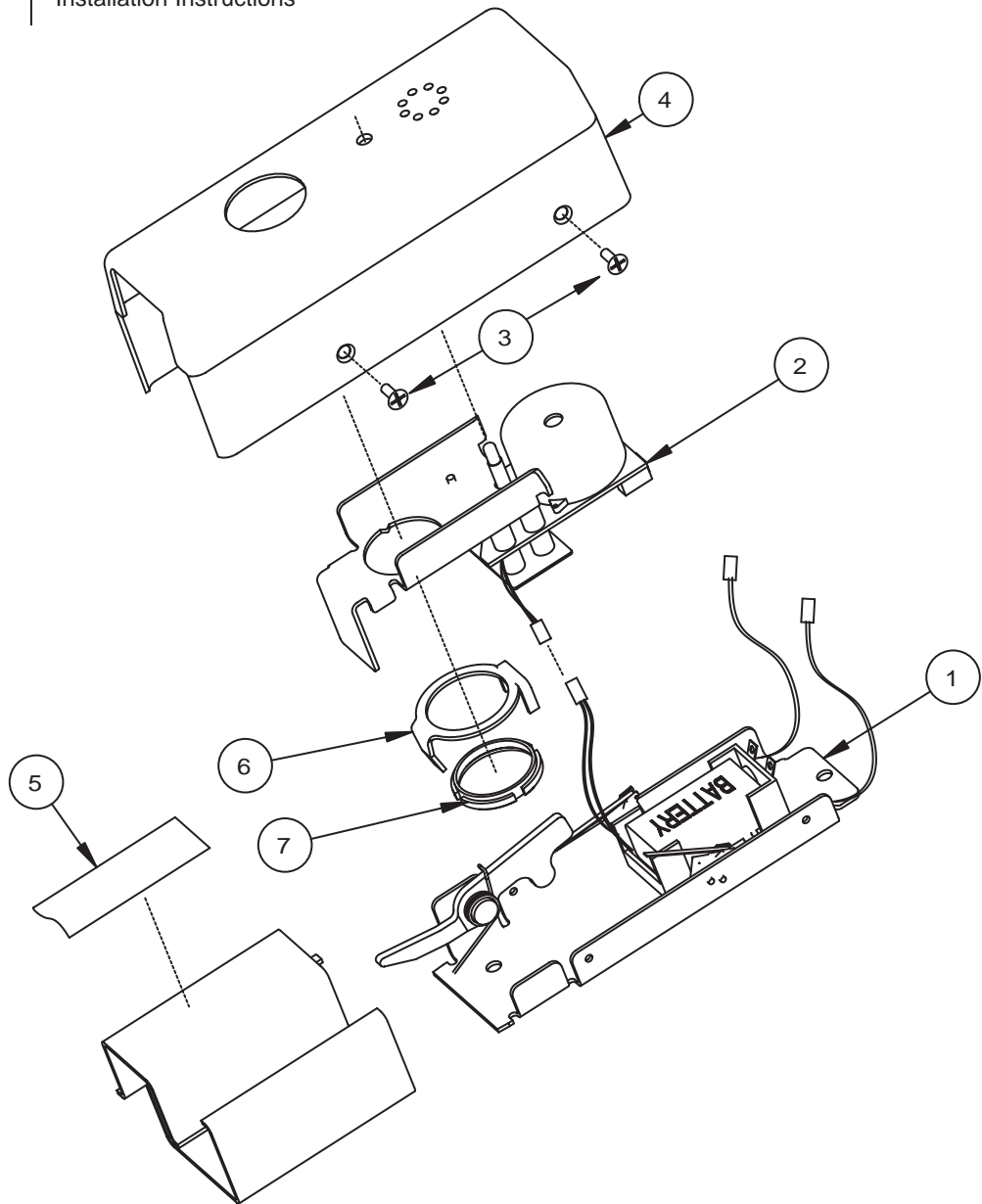


### Optional Vertical Latches



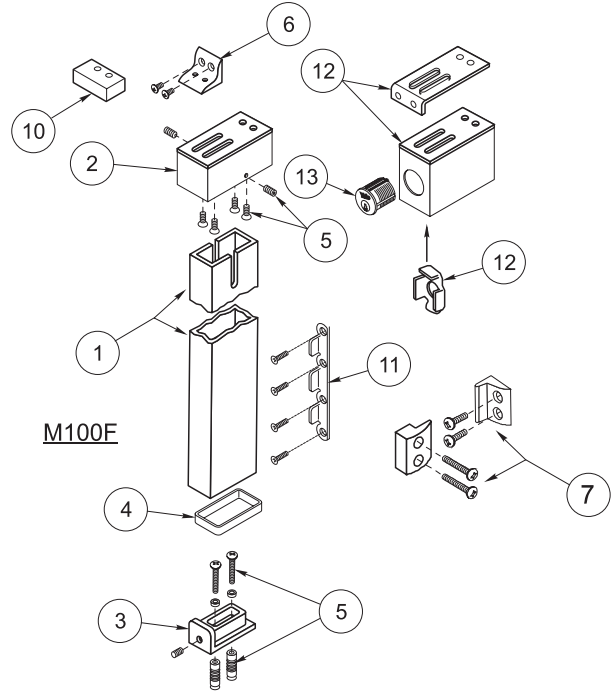
## 2116 ALARM KIT

ITEM	PART NO.	DESCRIPTION
1	60-2116-0005	Alarm Bracket Sub-Assembly
2	60-2116-0001	Alarm Housing Sub-Assembly
3	81-9500-1398	Screw Pack
4	60-2116-6001	Die Cast Cover
5	80-9401-0056	Alarm Label
6	60-7700-7214	Switch Activator
7	607700-2212	Cylinder Nut
—	80-9420-2116	Installation Instructions



## MULLION PARTS

ITEM	PART NO.	DESCRIPTION
1	60-1500-1267-114 60-1500-1265-114 60-1500-1266-114	Mullion 7' for M100(F) 8' for M100(F) 10' for M100(F)
2	60-1500-1283-078	Bracket, Upper Mounting
3	60-2000-1164-078	Bracket, Lower Mounting Panic/Fire Rated
4	60-2000-9158-999	Anchor Pad (Fire Rated)
5	81-9500-0351-000 81-0011-0616-059 81-6219-2708-059 81-6419-2714-059  60-7000-1324-048 99-9999-7161-059 99-9999-6037-999	Screw Packet contains: Screw #12-24 x 3/4" FHM-PH (4) Set Screw 5/16-18 x 3/8" (1) Set Screw, Half Dog 5/16-18 x 5/8" (2) Screw 1/4-20 x 3/4" RHM-PH (2) Lock Washer 1/4" (2) Masonry Anchor 1/4-20 (2)
6	81-9500-0371-078	Angle Bracket Packet contains: Angle Bracket (1) Screw #12-24 x 7/16" OHM-PH (2)
7	81-9500-1417-078	Stabilizer Kit (optional) contains: Bracket, Stabilizer (2) Stabilizer (2) Spacer, Stabilizer (4) Screw, #10-24 x 3/4" FHM-PH (4) Screw, #10-24 x 1" FHM-PH (4)
Not Shown	81-9500-1524-114	Parts Packet contains: Items 2, 3, 4, 5 and 11
Not Shown	81-9500-1523-FIN	Parts Packet contains: Items 7, 8 and 9
10	00-0000-3516-000	Spacer, Mullion
11	81-9500-1561-058 60-2000-1156-058 81-0011-0516-058	Door Bracket Packet contains: Bracket, Door (2) Screw, #10-24 x 3/4" FPHMS (8)
12	00-0000-3432-000 60-1500-0150-078 60-1500-0153-078 60-7000-1419-078 60-7000-1413-048 81-9500-1585-000 81-0011-0616-999  60-7000-1413-048 81-0014-0406-036 81-3711-0412-048	KRM150 Retro Fit Kit contains: Bracket, Top, Final Assembly Bracket Assembly, Mounting Shim, Mullion (2) Bracket, Cylinder Anti-Rotation KRM150 Screw Pack contains: Mounting Screw, #12 x 24 x 3/4 FHPMS (4) Bracket Cylinder Anti-Rotation Bracket Mounting Screw 8-32 x 5/16" Cylinder Screw 8 x 32 x 1/2"
13	See Page 34	Cylinder, Mortise

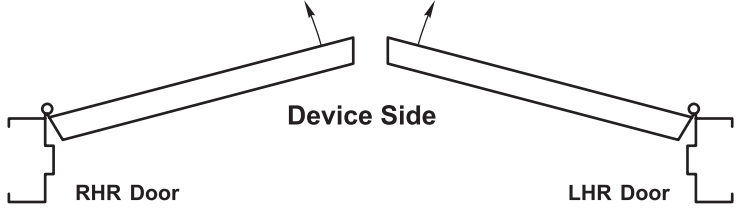


## HANDING INSTRUCTIONS

### Rim Devices

#### 2100/2100F Series

These devices are non-handed.

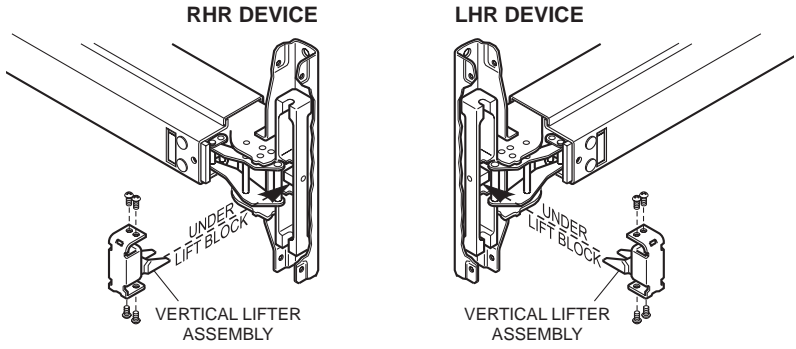


### Surface Vertical Rod Devices

#### 2110/2110F Series

Remove four screws and vertical lifter assembly. Turn device to opposite (180 degrees) orientation, insert lifter assembly and reinstall screws.

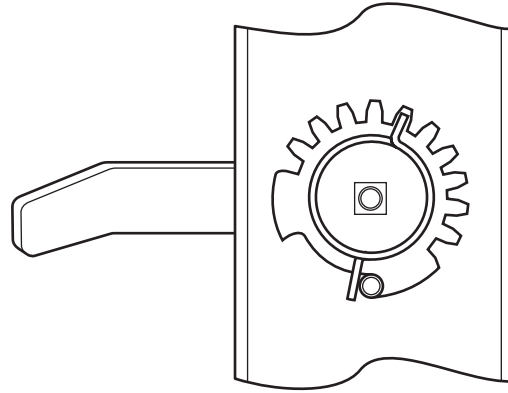
**NOTE:** Lifter must fit under lift block as shown.



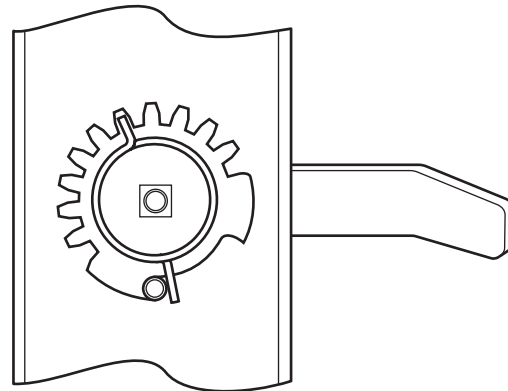
## HANDING INSTRUCTIONS

### Lever Handle Trim

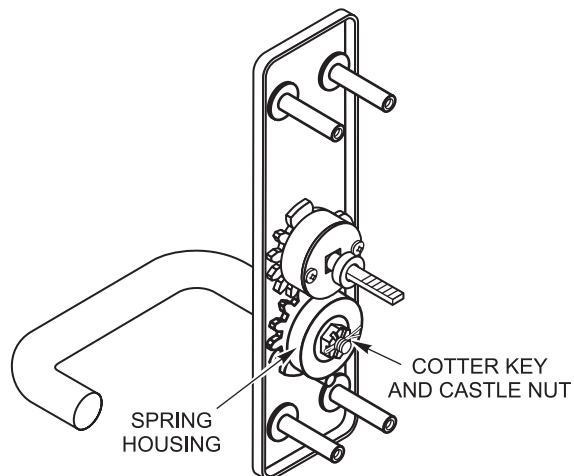
1. Remove cotter pin.
2. Remove castle nut.
3. Observe spring orientation:
  - LHR:** Red spring (part # 60-7000-1225-999) Short lead is at 1 o'clock and long lead is to lever side of stump at 6 o'clock.
  - RHR:** Blue spring (part # 60-7000-1224-999) Short lead is at 11 o'clock and long lead is to lever side of stump at 6 o'clock.
4. Remove round housing, spring and spacer.
5. Note orientation of "gap" which governs rotation in gear and remove gear.
6. Rotate lever 180°.
7. Flip gear over and reinstall, observing proper gap orientation for new direction of rotation:
  - LHR** 6 - 8 o'clock
  - RHR** 4 - 6 o'clock
8. Install spring of opposite hand (color). Place spring around spindle with long lead against gear and to lever side of post. Place housing (gap side toward lever) over spring and spindle until square in housing begins to slide down on spindle. While applying downward pressure on housing, wind short lead of spring toward lever until housing snaps into place.
9. Replace spacer in housing. Spring, housing and spacer should now be oriented as indicated in step 3 above.
  - Note:** Housing gap will always be to the lever side and spring will be slightly preloaded when properly installed.
10. Be sure lever thimble is seated properly in escutcheon. Reinstall nut snugly, but do not over tighten. Lever should rotate freely.
11. Replace cotter pin.



RIGHT-HAND REVERSE (BLUE SPRING)



LEFT-HAND REVERSE (RED SPRING)



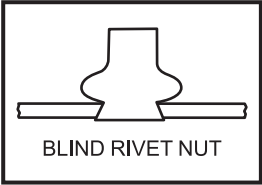
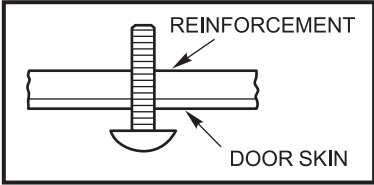


## TROUBLESHOOTING GUIDE

1. Many problems with the operation of exit devices are caused by factors other than the device itself. Among the most common is a misalignment or an improper fit of the door within the frame.

2. Another common source of problems is improper installation. Even if all cutouts and screw holes are properly located, exit devices must be securely fastened to properly reinforced doors. Hollow doors and frames with a structural thickness (metal skin plus reinforcement, or solid hardwood) must have at least three full screw threads to be considered reinforced.

3. Most problems with dogging occur on vertical rod devices. When the dogging function is hard to engage or will not work at all, the rods may be incorrectly adjusted, allowing the mechanism to bottom out. Readjust rods per the device instructions or as outlined on the previous pages.





**NOTES**




**NOTES**

# online literature and templates

For the latest information on Yale Commercial Lock and Hardware products, visit our website at [www.yalecommercial.com](http://www.yalecommercial.com).

*Click on the "Literature" button to find:*

- Catalogs
- Parts manuals
- Templates
- Specifications
- Installation instructions

*Yale® customers can click on the ebusiness symbol  on the website to register for an ebusiness account to:*

- Check the status of orders
  - Check availability of Quick Ship items
  - Track your order and confirm delivery
  - Receive email notification of template changes
- And More...

[www.yalecommercial.com](http://www.yalecommercial.com)



## **Yale Commercial Locks and Hardware**

1902 Airport Road, Monroe, NC 28110 USA

Tel: 1-800-438-1951 • Fax: 1-800-338-0965 • [www.yalecommercial.com](http://www.yalecommercial.com)

## **Yale-Corbin Canada Ltd.**

6940 Edwards Boulevard, Mississauga, Ontario, Canada L5T 2W2

Tel: 1-800-461-3007 • Fax: 1-800-461-8989 • [www.yalecorbin.on.ca](http://www.yalecorbin.on.ca)

Yale® and Yale Security Inc.® are registered trademarks of Yale Security Inc. Other product brand names may be trademarks or registered trademarks of their respective owners and are mentioned for reference purposes only. Copyright© 2004 Yale Security Inc. All rights reserved. These materials are protected under US copyright laws. All contents current at time of publication. Yale Security Inc. reserves the right to change availability of any item in this bulletin, its design, construction, and/or its materials.

The ASSA ABLOY Group is the world's leading manufacturer and supplier of locking solutions, dedicated to satisfying end-user needs for security, safety and convenience.