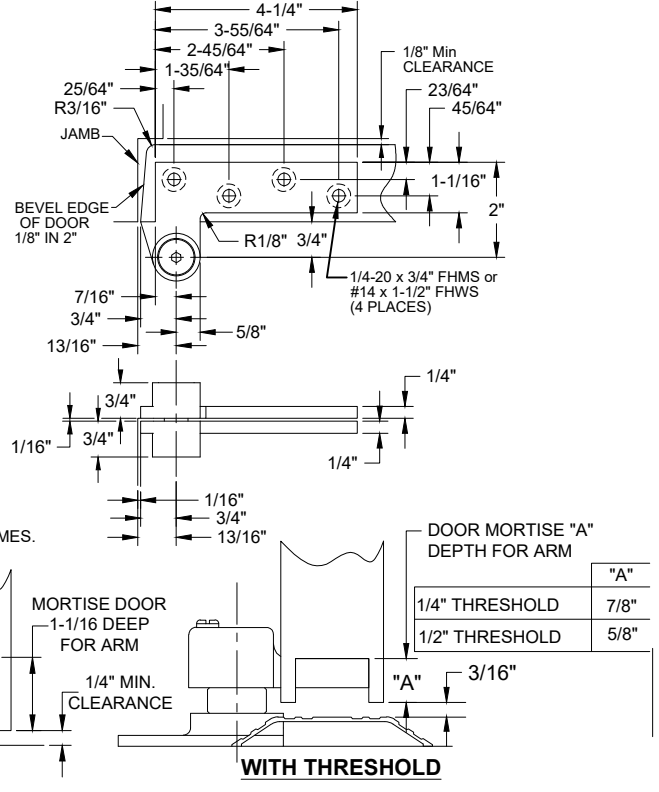
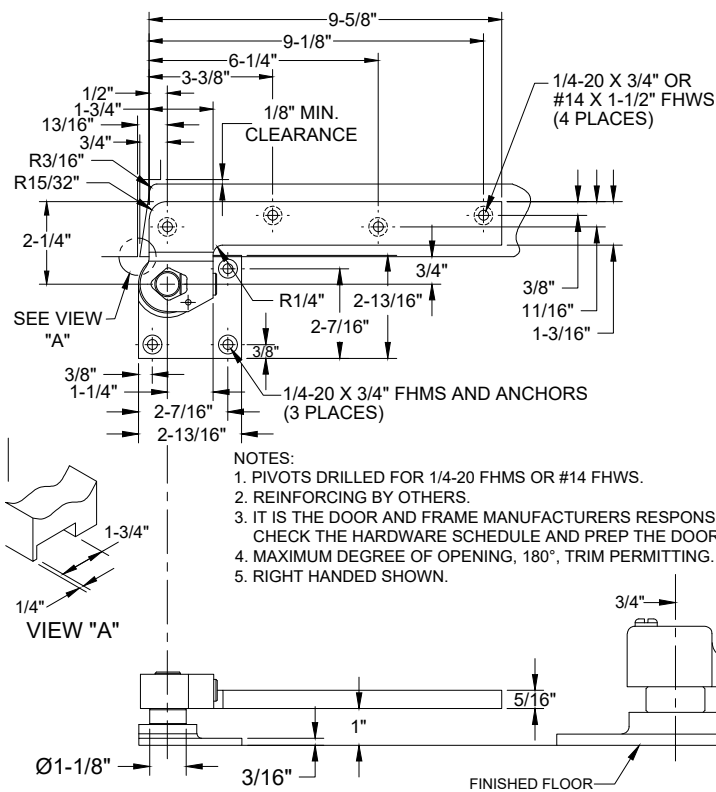


0147 PIVOT SET, 3/4" OFFSET, HANDED

0147 BOTTOM PIVOT

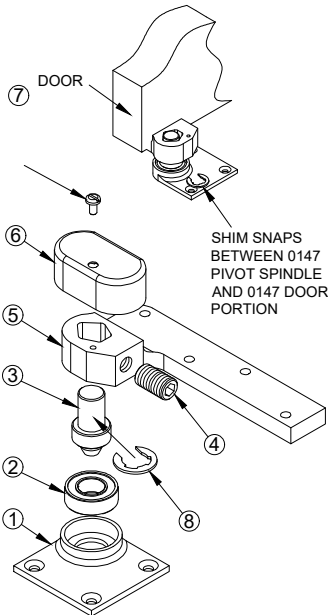
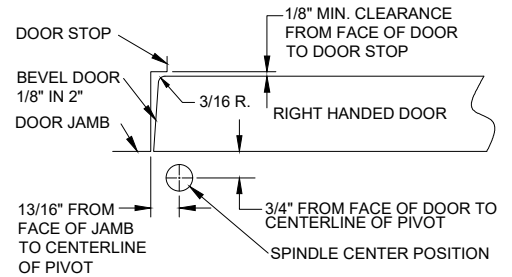
0180 TOP PIVOT



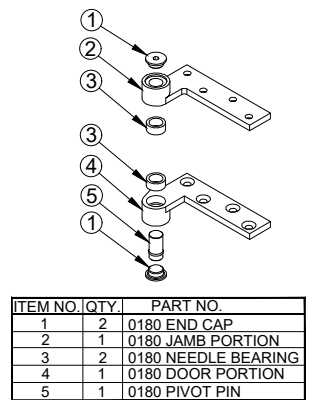
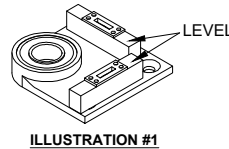
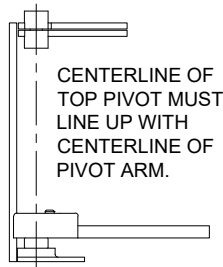
- NOTES:**
1. PIVOTS DRILLED FOR 1/4-20 FHMS OR #14 FHWS.
 2. REINFORCING BY OTHERS.
 3. IT IS THE DOOR AND FRAME MANUFACTURERS RESPONSIBILITY TO CHECK THE HARDWARE SCHEDULE AND PREP THE DOORS AND FRAMES.
 4. MAXIMUM DEGREE OF OPENING, 180°, TRIM PERMITTING.
 5. RIGHT HANDED SHOWN.

INSTALLATION INSTRUCTIONS

1. MEASURE $\frac{13}{16}$ " OUT FROM DOOR JAMB.
2. ALLOW $\frac{1}{8}$ " MIN CLEARANCE FROM DOOR STOP TO DOOR FACE. MEASURE DOOR THICKNESS AND ADD $\frac{3}{4}$ ".
3. WHERE THESE LINES INTERSECT DETERMINES THE CENTERLINE OF THE PIVOT POINT.
4. FLOOR PORTION MUST BE INSTALLED COMPLETELY LEVEL IN BOTH DIRECTIONS PER ILLUSTRATION #1.
5. INSTALL 0180 DOOR PORTION PER TEMPLATE.
6. INSTALL 0180 JAMB PORTION PER TEMPLATE.
7. INSTALL 0147 DOOR PORTION PER TEMPLATE.
8. IF 019 INTERMEDIATE PIVOT IS USED, SEE 019 TEMPLATE.
9. SET DOOR ON 0147 FLOOR PORTION BEARING.
10. PUSH 0180 PIVOT PIN IN PLACE AND SECURELY TIGHTEN 0180 END CAP.
11. IF DOOR DRAGS AT FLOOR (OR THRESHOLD, IF USED) LOOSEN SET SCREW AND RAISE DOOR TO DESIRED CLEARANCE AND INSERT $\frac{1}{16}$ " THICK SHIM. RETIGHTEN SET SCREW SECURELY.
12. PUT 0147 COVER ON AND SECURE TIGHTLY WITH 0147 COVER SCREW.



ITEM NO.	QTY.	PART NO.
1	1	0147 FLOOR PORTION
2	1	0147 BEARING
3	1	0147 PIVOT SPINDLE
4	1	0147 SET SCREW
5	1	0147 DOOR PORTION
6	1	0147 COVER
7	1	0147 COVER SCREW
8	1	1/16" SHIM (IF REQUIRED)



ITEM NO.	QTY.	PART NO.
1	2	0180 END CAP
2	1	0180 JAMB PORTION
3	2	0180 NEEDLE BEARING
4	1	0180 DOOR PORTION
5	1	0180 PIVOT PIN

Disclaimer: This template is to be used for installation, as shown, of said product and is not suitable for every application method. Custom applications, where door sizes, weights and conflicting hardware are a factor, need to be addressed with ABH and proper instructions provided. ABH is not liable for failure or performance of the product due to improper installation methods and/or use. Improper use and/or installation of this product will void the standard warranty.

0147-05.DWG